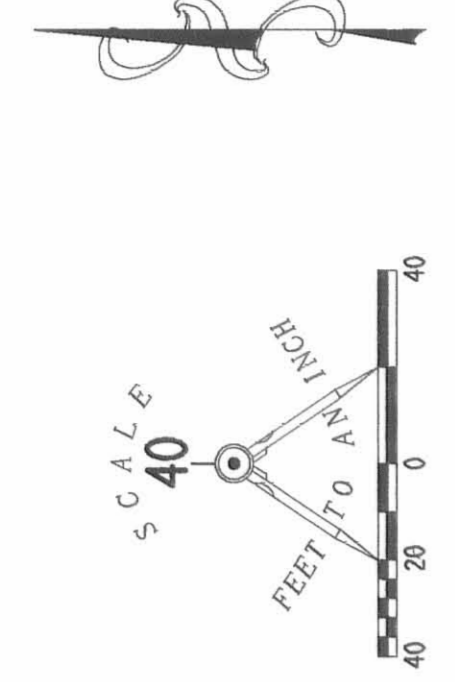


Plot Cab B Slide 50A

CURVE	DELTA ANGLE	RADIUS	ARC	TANGENT	CHORD	CHORD BEARING
C 1	20° 11' 35"	120.00'	42.29'	21.37'	42.07'	N 06° 51' 36" E
C 2	24° 03' 24"	105.00'	44.09'	22.37'	43.76'	N 04° 55' 42" E
C 5	24° 03' 24"	60.00'	25.19'	12.78'	25.01'	N 85° 04' 18" W
C 6	90° 00' 00"	25.00'	39.27'	25.00'	35.36'	N 52° 06' 00" W
C 7	40° 00' 00"	25.00'	17.45'	9.10'	17.10'	N 27° 06' 00" W
C 8	40° 00' 00"	25.00'	17.45'	9.10'	17.10'	N 27° 06' 00" W
C 9	90° 00' 00"	25.00'	39.27'	25.00'	35.36'	N 37° 54' 00" E
C 10	90° 00' 01"	33.00'	51.84'	33.00'	46.67'	N 52° 06' 00" W



LEGEND

- 5/8" IRON ROD SET W/ PLASTIC I.D. CAP
- STAMPED "LEE P56359"
- 5/8" IRON ROD FOUND
- ⊗ 3/4" IRON ROD FOUND
- ⊙ 3/4" METAL PIPE FOUND
- ⊙ 1 1/4" METAL PIPE FOUND
- 1" IRON BAR FOUND
- 1/2" METAL PIPE FOUND
- ⊕ RAILROAD SPIKE SET
- ⊕ P.K. NAIL W/ SHINER FOUND
- ⊕ MAG NAIL SET
- ⊕ 3/4" SQUARE IRON BAR FOUND
- ⊕ SANITARY SEWER MANHOLE
- ⊕ SANITARY SEWER CLEAN-OUT
- ⊕ LIMITED COMMON AREA
- ⑦ UNIT NUMBERS



EASEMENTS DRAWING
SNUG HARBOR CONDOMINIUM
 AT DUNN'S POND
 AMENDMENT NUMBER 1

6.830 ACRES
 VIRGINIA MILITARY SURVEY 9925-9946-10121
 PLAT CABINET B, SLIDES 42A & B AND 43A
 WASHINGTON TOWNSHIP
 LOGAN COUNTY, OHIO

ALL OF THE
 DUNN'S POND ASSOCIATES, L.T.D.
 ORIGINAL 6.830 ACRES
 OFFICIAL RECORD 272, PAGE 238

J-299A

J-299A