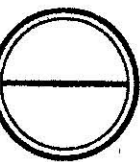


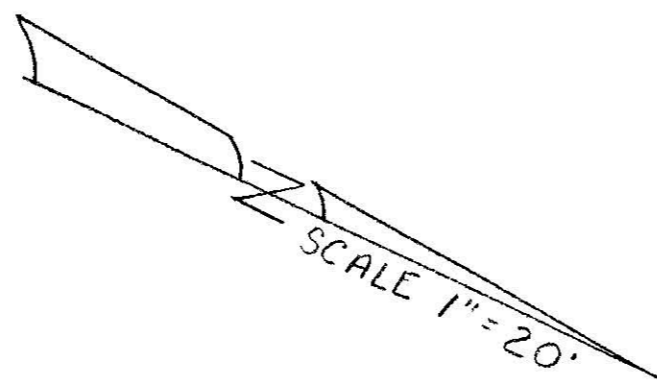
STOKES TOWNSHIP SECTION 34 T6S R8E

FHWA REGION	STATE	PROJECT	
5	OHIO		1987



LOGAN COUNTY
LOG-235-17.73
R/W PLAN

ORIGINAL IN MAIN T.
FACILITY FILE
OLD BLDG.



SR-235 STA. 937+20 TAN. =
SR-720 P.I. STA. 217+22.62
Δ = 10° 51' 30" RT (1962)

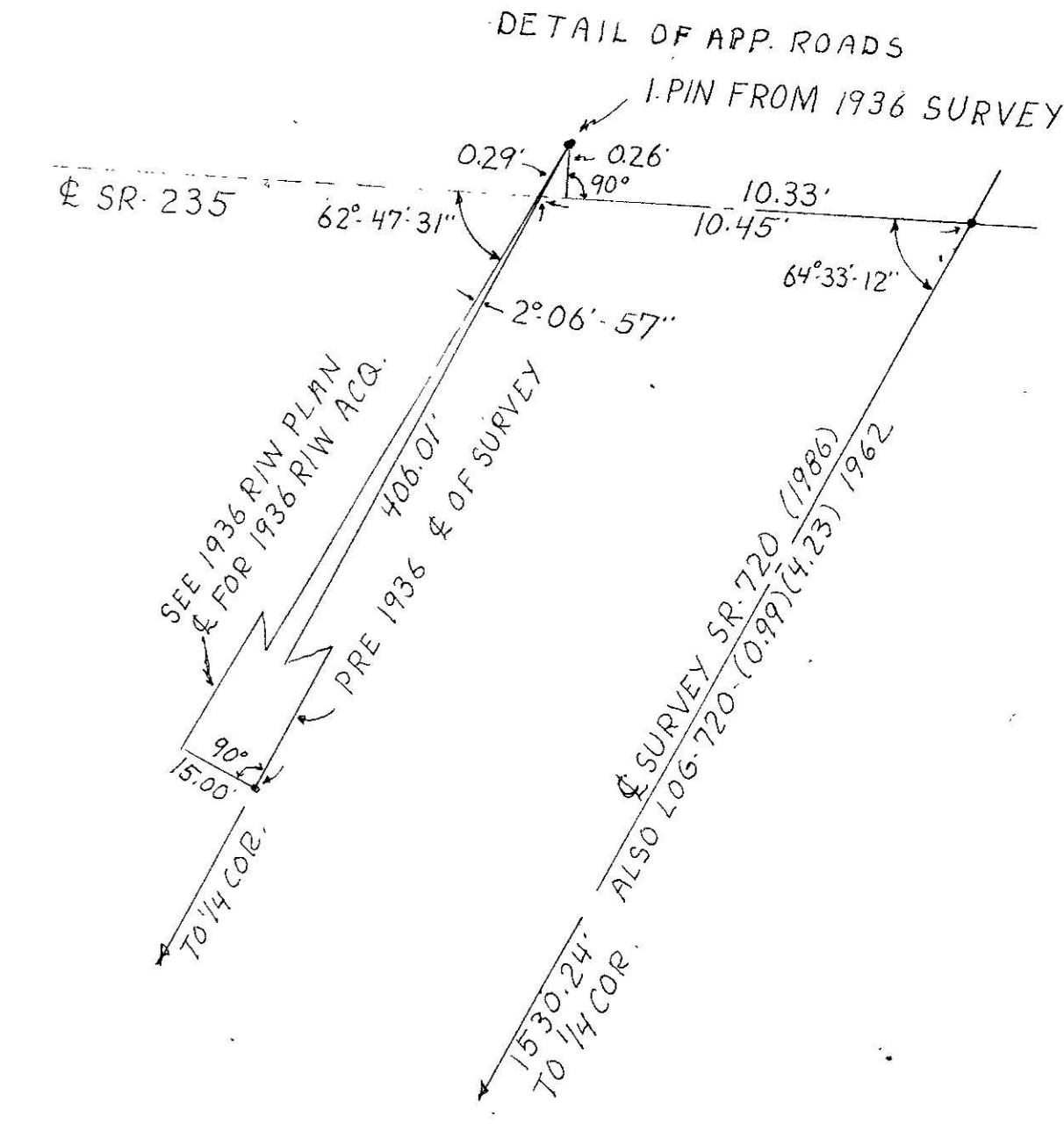
937+09.67 - 0.26' LT.
R.R. SPIKE FOUND
SEE DETAIL

LAKEVIEW OUTPOST

(SA)
TOTAL TAKE 0.014 AC.
PRO IN TAKE 0.000 AC.
NET TAKE, 0.014 AC.
EUGENE MILLER &
JUNE MILLER
VOL. 287, PAGE 492
EASE, RECORDED 4-2-1987
VOL. 39, PAGE 490

LOT 600
MILLER ALLOTMENT
LAKEVIEW, OHIO
REG. PLAT VOL. 40,
PAGE 15, 1955

1/4 SEC. COR. N. LINE SEC. 34
1 PIN OVER STONE
ON SR-720 STA. 121+44.23



VILLAGE OF LAKEVIEW

STATE OF OHIO DEPARTMENT OF TRANSPORTATION						
DESIGNED	DRAWN AJS 2-87	TRACED	CHECKED	REVIEWED	DATE	REVISED