

Corporation Line

About 102 1/2'



Detroit Street 561.6

Oak Ave.

Franklin Ave.

Grove Ave.

John Hoffman

501

4.77.0

Abiel L. Huber

502

1.27a.

Lewis F. Hale

503

1.40a

Mary N. Teets

504

Roy F. Wilson

504

Mary I. Turner

505

Edward Roberts

507

G.L. Bogart

509

T.C. Foster

511

Louise Foster

512

J.V. Tutz

512

Fred C. Stieg

512

W.W. M.M. Wise

515

H.L. Sanders

516

Mable Snyder

516

Mary C. Quay

517

A.T. Cherry

518

O.O. Hoffman et al. 501 47a

O.O. Hoffman et al. 501 32a

L.A. Clough 503 35a

W.K. Moore 505 18a

E.E. Shaw 506 20a

E.S. Forshee 508 20a

B.C. Chamberlain et al. 501 24a

M.S. Dowell, J.I. W.R. Mitchell, I.R. 1444

Maple Ave.

Beech Ave.

Rusk Ave.

Madriver Street

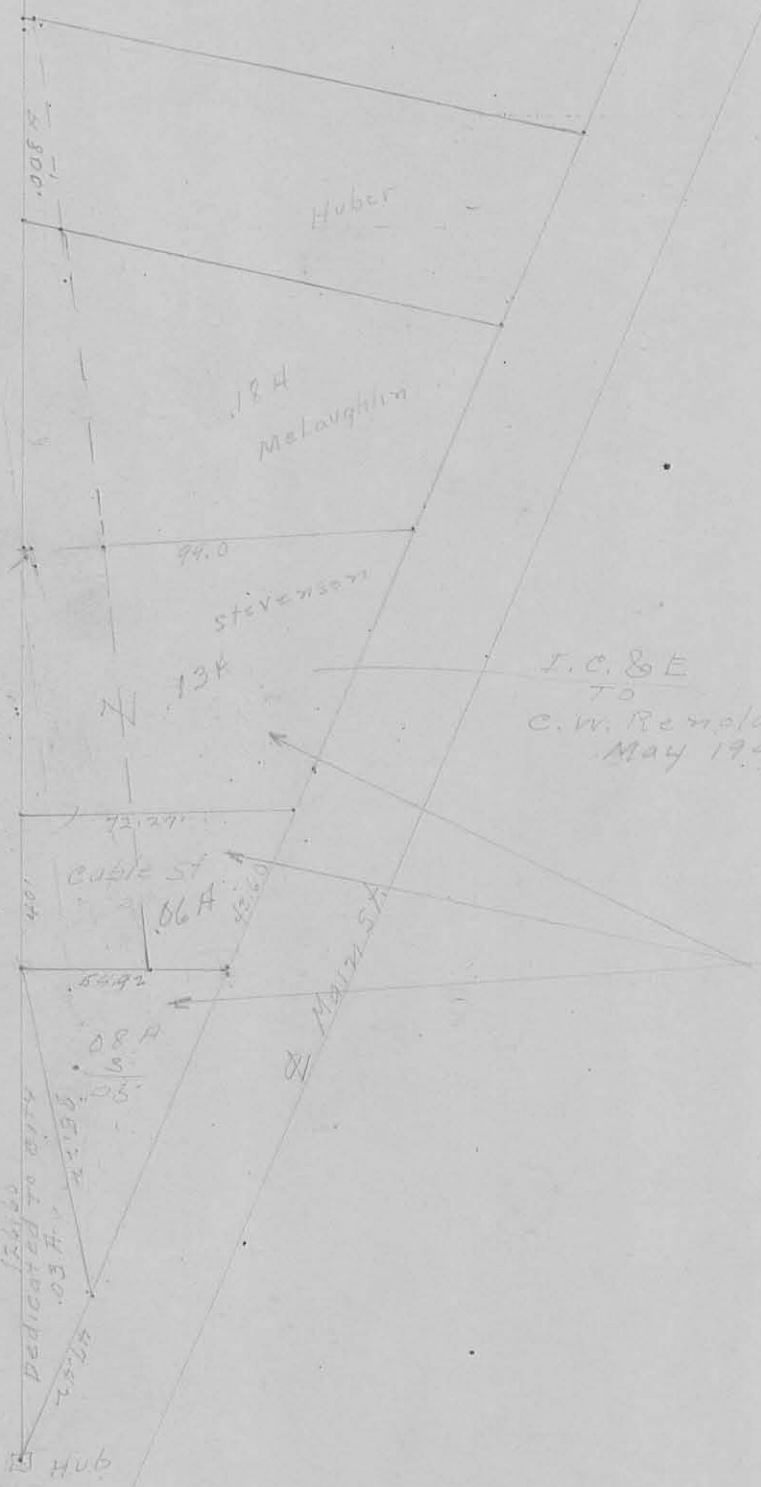


INDEXED TO MAP



PLAT 1870

1870



Boals
 To
 Stevenson (19 A) - D. 101 - P. 350
 Includes (yr 1906)
 cable st & piece N off

I.C. & E
 TO
 C.W. Reynolds
 May 1940

110 E. Reynolds
 should 24 A

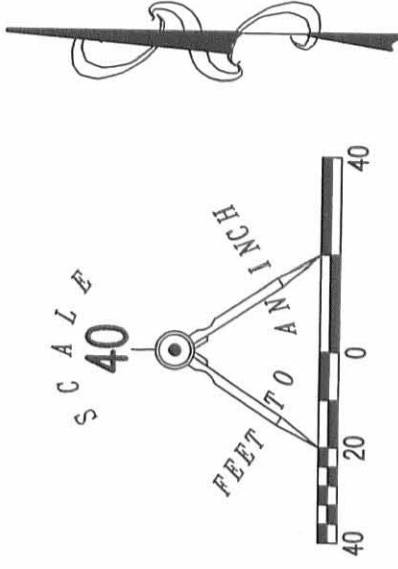
1" = 50'

INDEXED ON MAP
 1830 1P

REID 5-12-11 tom dik

LEGEND:

- ⊗ RAILROAD SPIKE FOUND IN MONUMENT BOX
- 5/8 INCH IRON ROD FOUND
- ⊙ 1 INCH IRON PIPE FOUND
- MAG NAIL SET
- 5/8 INCH IRON ROD SET WITH PLASTIC I.D. CAP STAMPED "LSM 7437"



MAIN STREET (60')

BEECH STREET (50')

RETRACEMENT SURVEY OF THE
 TAMMY J. McCAFFERTY
 PART OF LOT 2926
 RICHESON ADDITION
 PLAT CABINET A, SLIDE 91
 OFFICIAL RECORD 1028, PAGE 141
 CITY OF BELLEFONTAINE
 LAKE TOWNSHIP
 LOGAN COUNTY, OHIO

(BASIS FOR BEARINGS)
 S 59°41'18" E

S 59°41'18" E
 159.99'

LOT 2921

LOT 2922

15' ALLEY
 N 27°27'37" E 85.21'

TAMMY J. McCAFFERTY
 O.R. 1028, PG. 141

LOT 2926

S 59°41'18" E
 105.04'

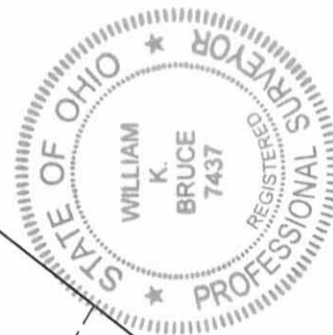
LOT 2411
 FAIRVIEW ADDITION
 PC A, SL 45

CASEY P. McLAUGHLIN
 0.209 ACRE
 O.R. 912, PG. 84

THE BOARD OF
 LOGAN COUNTY COMMISSIONERS
 0.14 ACRE
 O.R. 624, PG. 861
 TRACT 1

SURVEYED BY:

William K. Bruce
 WILLIAM K. BRUCE
 PROFESSIONAL SURVEYOR 7437
 MAY 9, 2011



COPYRIGHT 2011 BY:
LEE SURVEYING & MAPPING CO., INC.
 117 North Madison Street
 BELLEFONTAINE, OHIO 43311
 (937) 593-7335
 surveys@lsminc.us
 KSS D0411 51260411 L-5126-3

2 WORKING DAYS
BEFORE YOU DIG
 CALL TOLL FREE **800-362-2764**
 OHIO UTILITIES PROTECTION SERVICE.

INDEXED ON MAP
 1830 3P

ORIGINAL STAMP IN GREEN