

67

Pugh Survey Bellefontaine Ohio October 1957 0.14 Acre

The following described land in Bellefontaine, Lake Township, Logan County Ohio and being in V.M.S. 4399

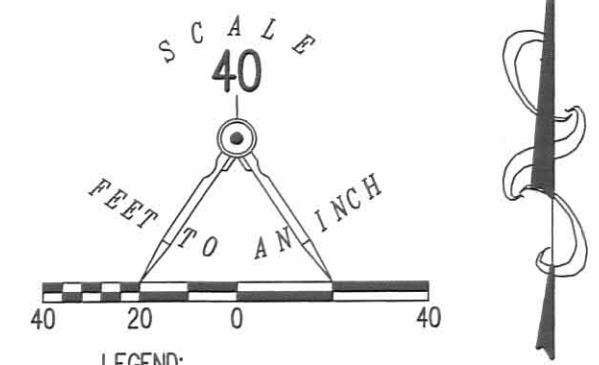
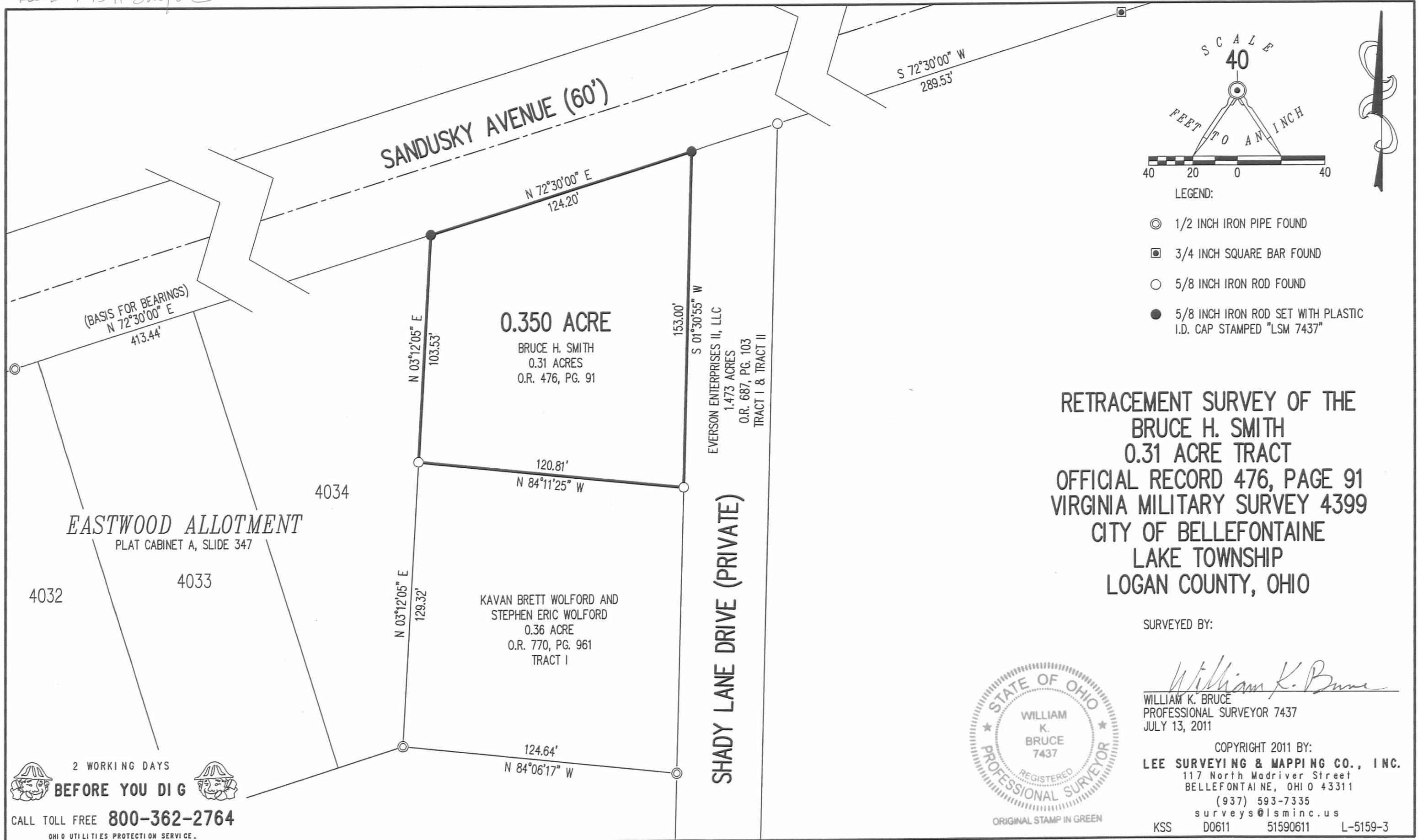
Being 0.14 of one acre out of the N.W. corner of Edwin R. Pugh's present 1.33 acres. The 0.14 acre being more fully described as follows :-  
Beginning at an iron at the N.E. corner of Lot Number 4034 of Eastview Allotment at the south side of East Sandusky Ave. said iron also being the N.W. corner of said Pugh 1.33 acre tract thence S. 17 - 30 E. 100.0 feet to an iron thence S. 4 - 14 W. 127.2 feet to an iron thence S. 72 - 17 W. 34.4 feet to an iron at the north side of a large square wood post said iron being the S.E. corner of said Lot Number 4034 thence with the east side of said Lot Number 4034 N. 3 - 00 E. 233.3 feet to the place of beginning said described tract containing 0.14 of one acre.

cc  
Logan County Engineer.

on Plat

3034 10  
INDEXED ON MAP

REC'D 7-15-11 SMY OK



- LEGEND:
- ⊙ 1/2 INCH IRON PIPE FOUND
  - ⊠ 3/4 INCH SQUARE BAR FOUND
  - 5/8 INCH IRON ROD FOUND
  - 5/8 INCH IRON ROD SET WITH PLASTIC I.D. CAP STAMPED "LSM 7437"

RETRACEMENT SURVEY OF THE  
 BRUCE H. SMITH  
 0.31 ACRE TRACT  
 OFFICIAL RECORD 476, PAGE 91  
 VIRGINIA MILITARY SURVEY 4399  
 CITY OF BELLEFONTAINE  
 LAKE TOWNSHIP  
 LOGAN COUNTY, OHIO

SURVEYED BY:

*William K. Bruce*  
 WILLIAM K. BRUCE  
 PROFESSIONAL SURVEYOR 7437  
 JULY 13, 2011



COPYRIGHT 2011 BY:  
 LEE SURVEYING & MAPPING CO., INC.  
 117 North Madriver Street  
 BELLEFONTAINE, OHIO 43311  
 (937) 593-7335  
 surveys@lsminc.us  
 KSS D0611 51590611 L-5159-3

2 WORKING DAYS  
**BEFORE YOU DIG**  
 CALL TOLL FREE **800-362-2764**  
 OHIO UTILITIES PROTECTION SERVICE.

INDEXED ON MAP  
 3034 2P