

Dille to Church Survey

March, 1973

Being situated in the City of Bellefontaine, Lake Township, Logan County, Ohio; and being a part of Section 34, Town 4, Range 14.

Beginning at the point of intersection of the east line of Section 34 with the center of Washington Avenue.

Thence with the east line of Section 34 N 0°-06' W 214.5 feet to a post. Said post is the true point of beginning for this description.

Thence continuing with the east line of Section 34 N 0°-06' W 427.0 feet to a steel Post.

Thence N 89°-43' W 214.0 feet to a steel Post.

Thence South 494.0 feet to an iron.

Thence East 104.8 feet to an iron.

Thence South 148.5 feet to a point in the center of Washington Avenue, passing thru an iron at 123.5 feet.

Thence with the center of Washington Avenue East 35.0 feet.

Thence N 0°-06' W 214.5 feet to a post, passing thru an iron at 25.0 feet.

Thence East 75.0 feet to the place of beginning.

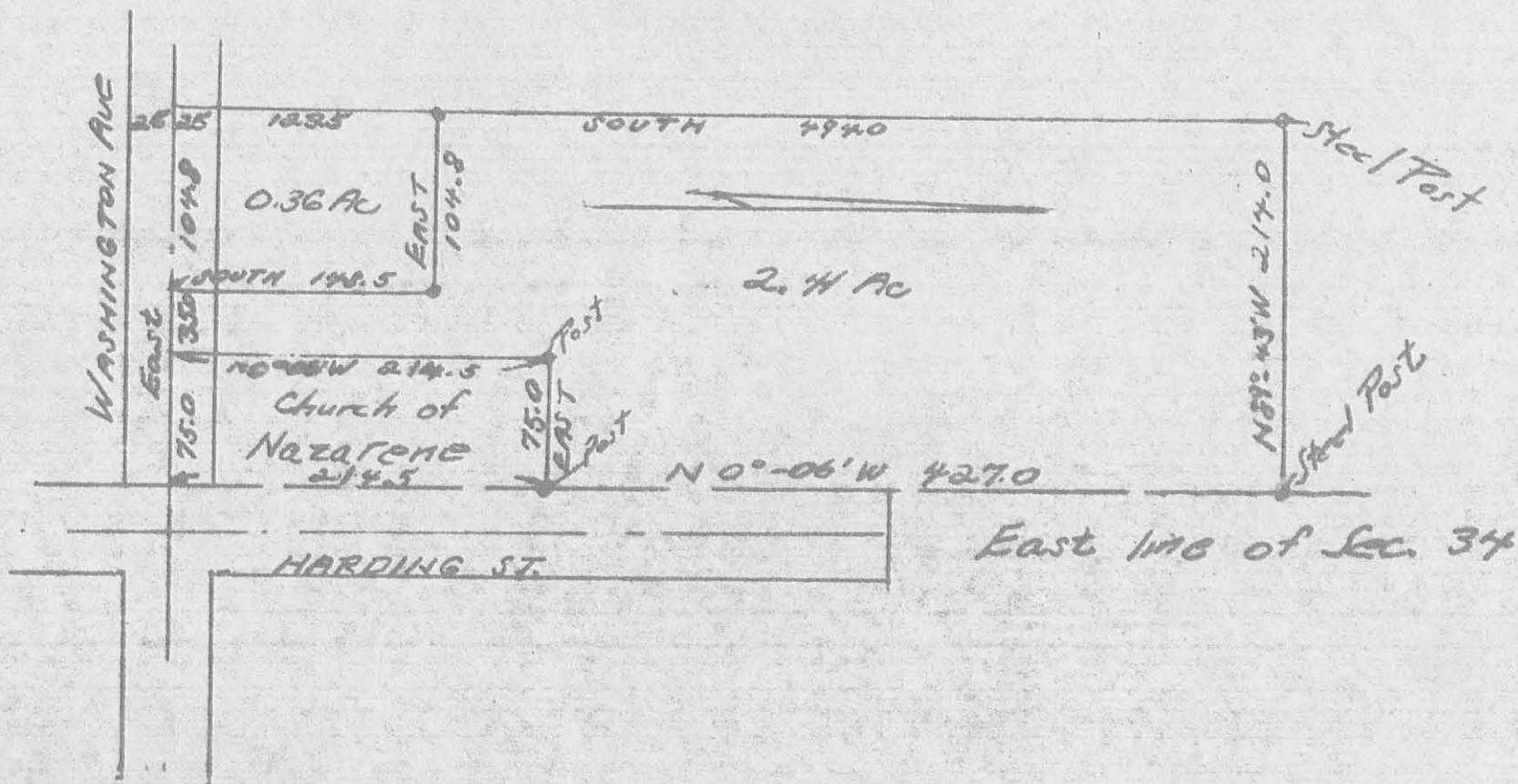
Containing 2.41 acres more or less. Being of a 0.50 acre tract, and of 0.54 acre tract, and 1.37 acres from a 2.73 acre tract.

---

Owen K. Shirk  
Surveyor 4271



DILLE TO CHURCH SURVEY; CITY OF BELLEFONTAINE  
 LAKE TOWNSHIP, LOGAN COUNTY, OHIO  
 SECTION 34, TOWN 4, RANGE 14; 1" = 100'



Owert K. Shirk  
 Surveyor 4271  
 March, 1973

5509 IP

INDEXED ON MAP

# Lee Surveying and Mapping Co., Inc.

Land Surveys • Topography • Subdivisions • Construction Layout

117 N. Madriver St.  
Bellefontaine OH 43311



Phone: (937) 593-7335  
Fax: (937) 593-7444  
surveys@lsmcinc.us

## HSBC BANK U.S.A. 0.477 ACRE

Lying in Section 34, Town 4, Range 14, City of Bellefontaine, Lake Township, Logan County, Ohio.

Being all of the HSBC Bank U.S.A., 1/2 acre tract as deeded and described in Official Record 948, Page 602 of the Logan County Records of Deeds and being more particularly described as follows:

Commencing on a 3/4 inch iron pipe found on the intersection of the center-lines of Newell Street and Colton Avenue.

THENCE, with the center-line of Colton Avenue (36 feet wide), N 85°-27'-34"W, a distance of 25.31 feet to a point on the east line of Section 34.

THENCE, with the east line of Section 34, S 04°-56'-40"W, a distance of 18.00 feet to a MAG nail set on the south right-of-way of Colton Avenue at the TRUE POINT OF BEGINNING.

THENCE, with the east line of Section 34 and the west line of the Jennifer J. Ferguson 0.30 acre tract (O.R. 416, Pg. 541), S 04°-56'-40"W, a distance of 197.06 feet to a 3/4 inch iron rod found.

THENCE, with the north line of The Church of the Nazarene 2.41 acre tract (Vol. 346, Pg. 46), N 85°-20'-40"W, a distance of 105.60 feet to a 2 inch steel post found.

THENCE, with the east line of the Aaron H. Holycross 0.45 acre tract (Vol. 383, Pg. 465), N 04°-56'-39"E, a distance of 196.85 feet to a PK nail found on the south right-of-way of Colton Avenue, passing a 5/8 inch iron rod set at 1.00 feet.

THENCE, with the south right-of-way of Colton Avenue, S 85°-27'-34"E, a distance of 105.60 feet to the point of beginning.

Containing 0.477 acre.

The basis for bearings is the center-line of Colton Avenue, being S 85°-27'-34"E, and all other bearings are from angles and distances measured in a field survey by Lee Surveying and Mapping Co., Inc. on May 22, 2009.



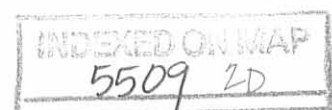
ORIGINAL STAMP IN GREEN

Description prepared by:

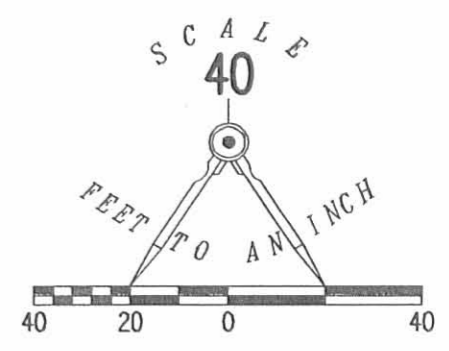
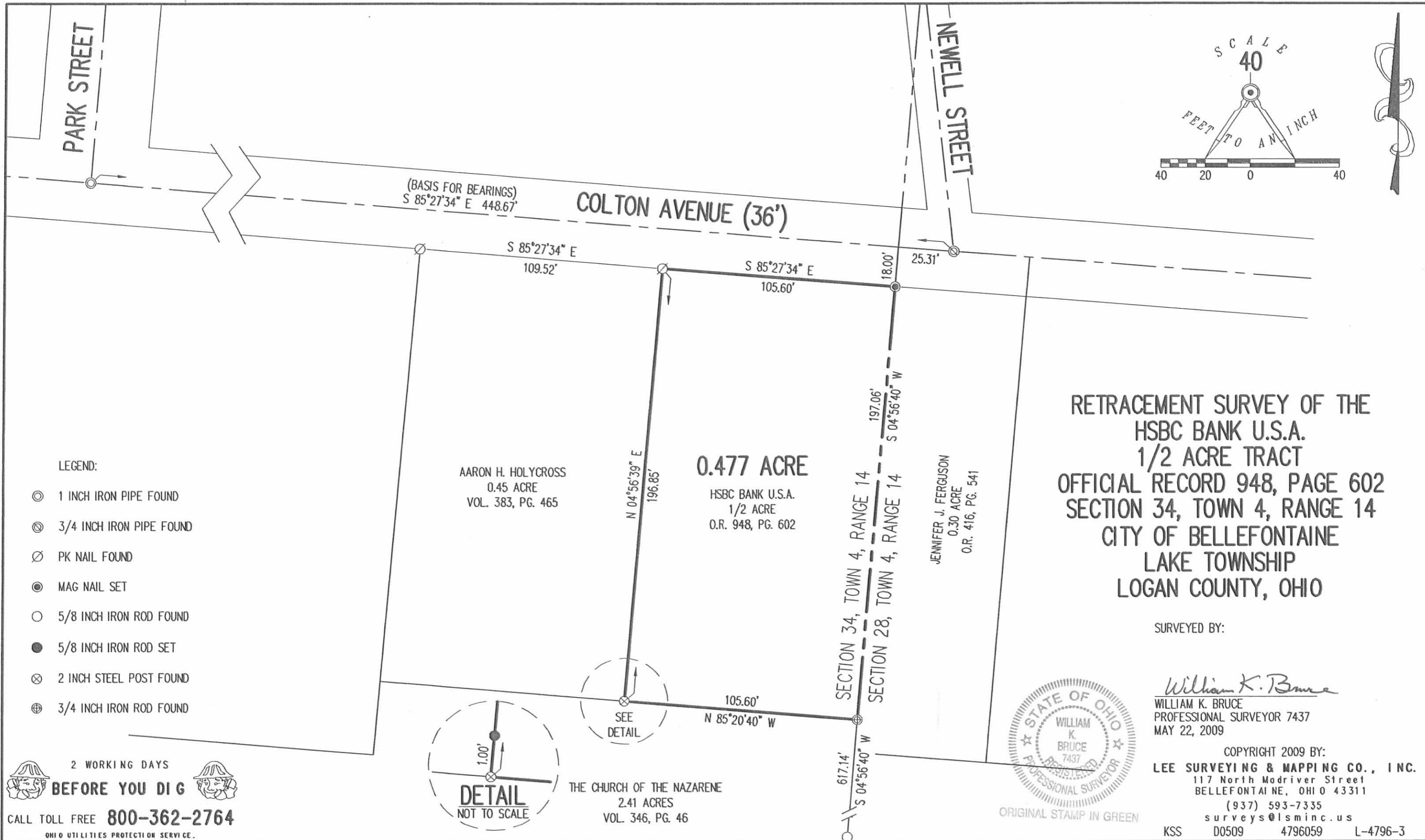
*William K. Bruce*

William K. Bruce  
Professional Surveyor 7437  
May 26, 2009

4796059



REC'D 5-28-09 SMJ/ok



RETRACEMENT SURVEY OF THE  
 HSBC BANK U.S.A.  
 1/2 ACRE TRACT  
 OFFICIAL RECORD 948, PAGE 602  
 SECTION 34, TOWN 4, RANGE 14  
 CITY OF BELLEFONTAINE  
 LAKE TOWNSHIP  
 LOGAN COUNTY, OHIO

SURVEYED BY:  
*William K. Bruce*  
 WILLIAM K. BRUCE  
 PROFESSIONAL SURVEYOR 7437  
 MAY 22, 2009

COPYRIGHT 2009 BY:  
**LEE SURVEYING & MAPPING CO., INC.**  
 117 North Madriver Street  
 BELLEFONTAINE, OHIO 43311  
 (937) 593-7335  
 surveys@lsminc.us  
 KSS D0509 4796059 L-4796-3

INDEXED ON MAP  
 5509 2P