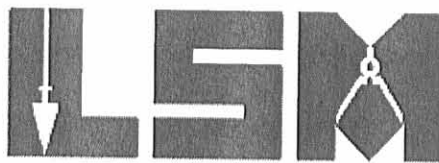


Lee Surveying and Mapping Co., Inc.

Land Surveys • Topography • Subdivisions • Construction Layout

117 N. Madriver St.
Bellefontaine OH 43311



Phone: (937) 593-7335
Fax: (937) 593-7444

PILARCZYK 0.165 ACRE

Lying in the City of Bellefontaine, Lake Township, Logan County, Ohio.

Being out of the Daniel E. Pilarczyk, Archbishop of Cincinnati, Lot 513 and Lot 514 of the McCollough Addition (Plat Cabinet A, Slide 5) as deeded in Official Record 735, Page 823 and Official Record 464, Page 553 of the Logan County Records of Deeds and being more particularly described as follows:

Beginning at a 5/8 inch iron rod found on the southeast corner of Lot 512 of McCollough Addition on the north right-of-way of a 16.5 feet wide alley.

THENCE, with the east line of Lot 512, also being the east lines of the Stephanie D. Smith part of Lot 512 (O.R. 775, Pg. 120) and Travis D. Predmore part of Lot 512 (O.R. 816, Pg. 830), N 0°-03'-36"W, a distance of 65.53 feet to a point, referenced by a 5/8 inch iron rod set bearing N 0°-03'-36"E, a distance of 0.47 feet, passing a 5/8 inch iron rod found at 50.01 feet.

THENCE, S 89°-56'-04"E, a distance of 109.90 feet to a point, referenced by a MAG nail set in a concrete and stone wall on the west line of Lot 515, bearing N 0°-08'-14"W, a distance of 0.47 feet.

THENCE, with the west line of Lot 515, S 0°-08'-14"E, a distance of 65.53 feet to a point in the concrete and stone wall on the north right-of-way of the said 16.5 feet wide alley.

THENCE, with the north right-of-way of the said alley, N 89°-56'-04"W, a distance of 109.99 feet to the point of beginning, passing a 5/8 inch iron rod found at 2.00 feet.

Containing 0.165 acre.

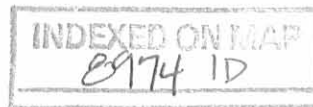
The basis for bearings is the north right-of-way of a 16.5 feet wide alley, being N 89°-56'-04"W, and all other bearings are from angles and distances measured in a field survey by Lee Surveying and Mapping Co., Inc. on June 21, 2007.



ORIGINAL STAMP IN GREEN

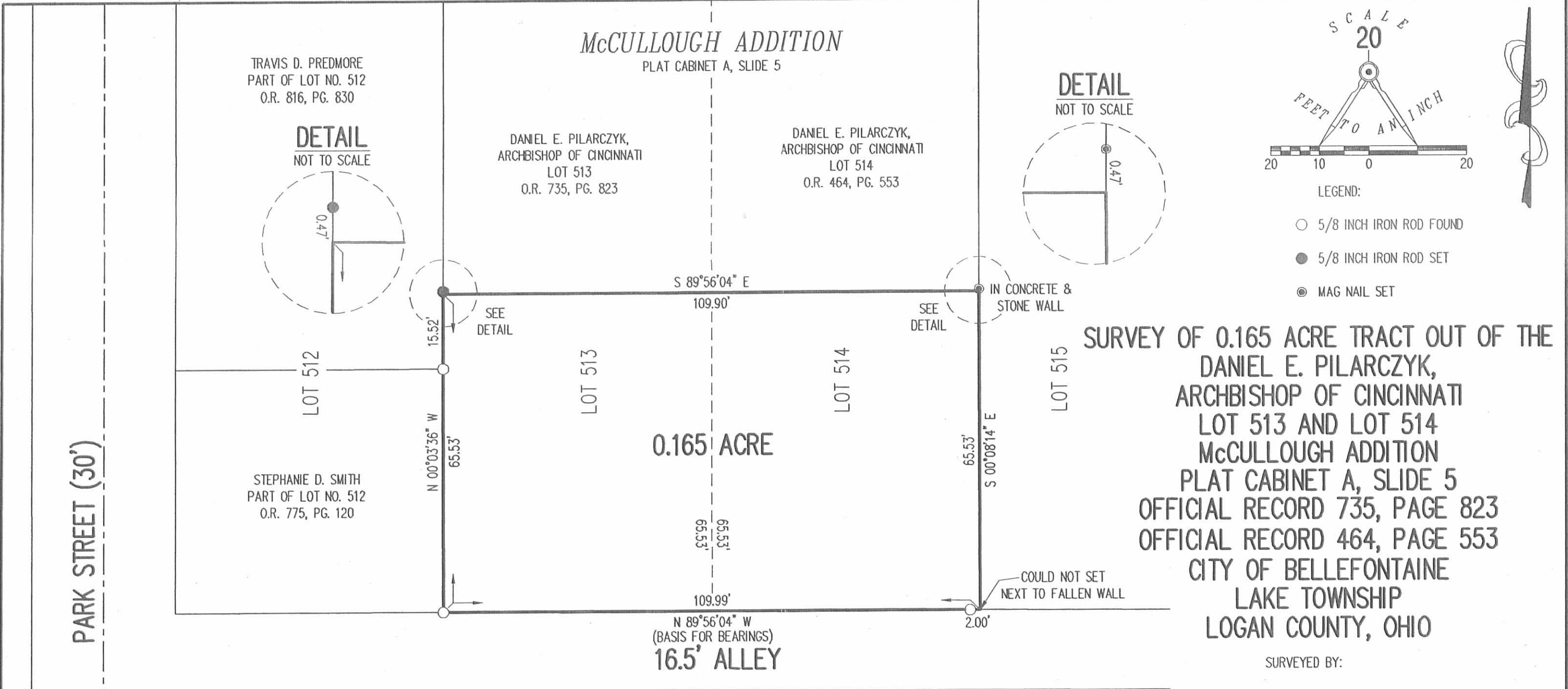
Description prepared by:

William K. Bruce
Professional Surveyor 7437
June 21, 2007
Revised March 10, 2008



3910038

REV'D 3-13-08 SMY OK



PARK STREET (30')

SURVEYED BY:

William K. Bruce

WILLIAM K. BRUCE
PROFESSIONAL SURVEYOR 7437
JUNE 21, 2007
REVISED AUGUST 14, 2007
REVISED MARCH 10, 2008



ORIGINAL STAMP IN GREEN

COPYRIGHT 2008 BY:
LEE SURVEYING & MAPPING CO., INC.
117 North Modriver Street
BELLEFONTAINE, OHIO 43311
(937) 593-7335
surveys@lsmcinc.us
KSS D0308 3910038 L-3910-3

2 WORKING DAYS
BEFORE YOU DIG
CALL TOLL FREE **800-362-2764**
OHIO UTILITIES PROTECTION SERVICE.

INDEXED ON MAP
0974 IP

RECID 9-14-07 SMY/OK

Lee Surveying and Mapping Co., Inc.

Land Surveys • Topography • Subdivisions • Construction Layout

117 N. Madriver St.
Bellefontaine OH 43311



Phone: (937) 593-7335
Fax: (937) 593-7444

NICHOLS 0.088 ACRE

Lying in the City of Bellefontaine, Lake Township, Logan County, Ohio.

Being out of the Cynthia J. Nichols and Matthew J. Nichols Lot 551 of McCulloughs Addition (Plat Cabinet A, Slides 3 & 5) as deeded in Official Record 393, Page 289 of the Logan County Records of Deeds and being more particularly described as follows:

Commencing on a railroad spike found on the intersection of the west right-of-way of Newell Street (30 feet wide) with the south right-of-way of a 16.5 feet wide alley at the northeast corner of Lot 553.

THENCE, with the south right-of-way of said 16.5 feet alley and the north line of Lots 553 and 552, N 89°-56'-34"W, a distance of 109.93 feet to a 5/8 inch iron rod found at the TRUE POINT OF BEGINNING.

THENCE, with the west line of Lot 552, S 0°-11'-39"E, a distance of 69.92 feet to a 5/8 inch iron rod set.

THENCE, N 89°-57'-56"W, a distance of 55.01 feet to a 5/8 inch iron rod set.

THENCE, with the east line of the Champaign Residential Services, Inc., part of Lot 550 (O.R. 224, Pg. 882) and the Daniel E. Pilarczyk, Archbishop of Cincinnati, part of Lot 550 (O.R. 450, Pg. 88), N 0°-09'-26"W, a distance of 69.95 feet to a 5/8 inch iron rod found on the south right-of-way of the said 16.5 feet wide alley.

THENCE, with the south right-of-way of the said 16.5 feet wide alley, S 89°-56'-34"E, a distance of 54.97 feet to the point of beginning.

Containing 0.088 acre.

The basis for bearings is the south right-of-way of a 16.5 feet wide alley, being S 89°-56'-34"E, and all other bearings are from angles and distances measured in a field survey by Lee Surveying and Mapping Co., Inc. on September 11, 2007.



ORIGINAL STAMP IN GREEN

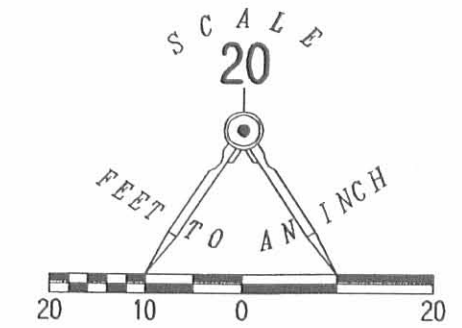
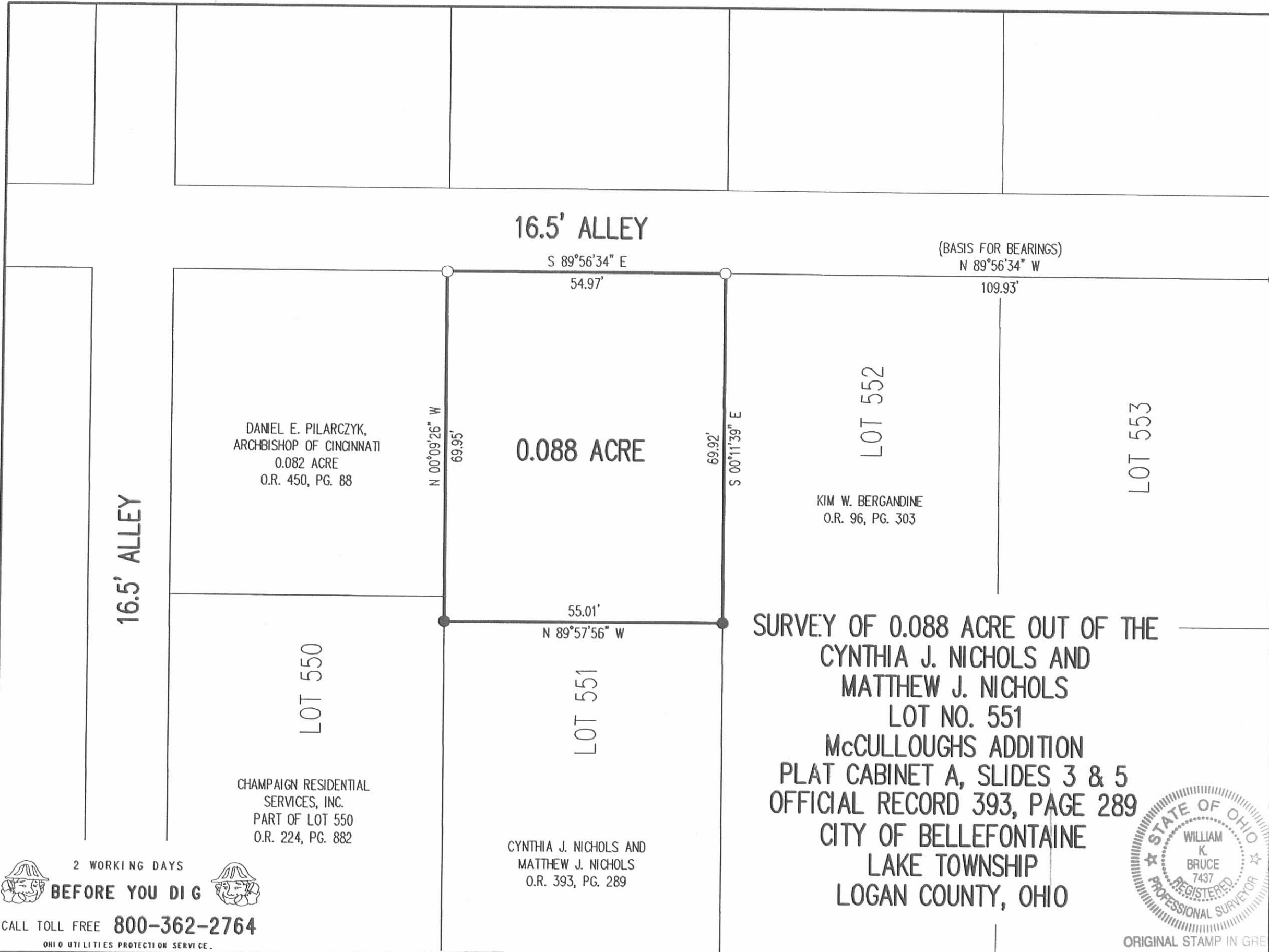
Description prepared by:

William K. Bruce
Professional Surveyor 7437
September 12, 2007

2777087



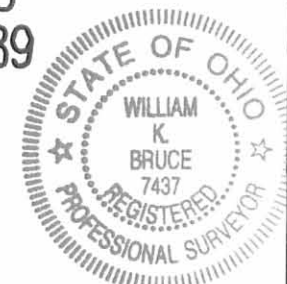
REC'D 9-14-07 SMY OK



- LEGEND:
- 5/8 INCH IRON ROD FOUND
 - 5/8 INCH IRON ROD SET
 - ⊗ RAILROAD SPIKE FOUND

NEWELL STREET (30')

SURVEYED BY:
William K. Bruce
WILLIAM K. BRUCE
PROFESSIONAL SURVEYOR 7437
SEPTEMBER 11, 2007



ORIGINAL STAMP IN GREEN

COPYRIGHT 2007 BY:
LEE SURVEYING & MAPPING CO., INC.
117 North Madriver Street
BELLEFONTAINE, OHIO 43311
(937) 593-7335
surveys@lsminc.us
KSS D0907 2777087 L-2777-3

2 WORKING DAYS
BEFORE YOU DIG
CALL TOLL FREE **800-362-2764**
OHIO UTILITIES PROTECTION SERVICE.

INDEXED ON MAP
89174 2P

RECD 8-15-07 S.M.Y.O.C.

McCULLOUGH ADDITION

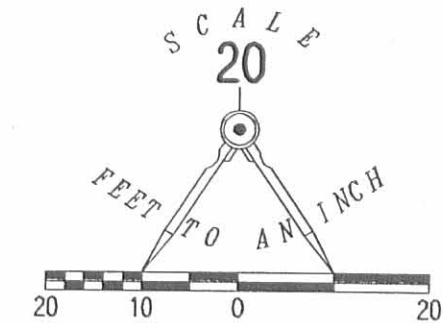
PLAT CABINET A, SLIDE 5

TRAVIS D. PREDMORE
PART OF LOT NO. 512
O.R. 816, PG. 830

DANIEL E. PILARCZYK,
ARCHBISHOP OF CINCINNATI
LOT 513
O.R. 735, PG. 823

DANIEL E. PILARCZYK,
ARCHBISHOP OF CINCINNATI
LOT 514
O.R. 464, PG. 553

STEPHANIE D. SMITH
PART OF LOT NO. 512
O.R. 775, PG. 120



PARK STREET (30')

LOT 512

LOT 513

LOT 514

LOT 515

0.166 ACRE

N 89°56'04" W
(BASIS FOR BEARINGS)
16.5' ALLEY

IN CONCRETE &
STONE WALL

COULD NOT SET
NEXT TO FALLEN WALL

SURVEY OF TWO TRACTS OUT OF THE
DANIEL E. PILARCZYK,
ARCHBISHOP OF CINCINNATI
LOT 513 AND LOT 514
McCULLOUGH ADDITION
PLAT CABINET A, SLIDE 5
OFFICIAL RECORD 735, PAGE 823
OFFICIAL RECORD 464, PAGE 553
CITY OF BELLEFONTAINE
LAKE TOWNSHIP
LOGAN COUNTY, OHIO

SURVEYED BY:

William K. Bruce

WILLIAM K. BRUCE
PROFESSIONAL SURVEYOR 7437
JUNE 21, 2007
REVISED AUGUST 14, 2007



ORIGINAL STAMP IN GREEN

COPYRIGHT 2007 BY:

LEE SURVEYING & MAPPING CO., INC.
117 North Madriver Street
BELLEFONTAINE, OHIO 43311
(937) 593-7335
surveys@lsminc.us

KSS D0607 3910067REV L-3910-3

INDEXED ON MAP

8974-3P

2 WORKING DAYS

BEFORE YOU DIG

CALL TOLL FREE 800-362-2764

OHIO UTILITIES PROTECTION SERVICE

REV'D 6-25-07 SWYOK

Lee Surveying and Mapping Co., Inc.

Land Surveys • Topography • Subdivisions • Construction Layout

117 N. Madriver St.
Bellefontaine OH 43311



Phone: (937) 593-7335
Fax: (937) 593-7444

PILARCZYK 0.166 ACRE

Lying in the City of Bellefontaine, Lake Township, Logan County, Ohio.

Being out of the Daniel E. Pilarczyk, Archbishop of Cincinnati, Lot 513 and Lot 514 of the McCollough Addition (Plat Cabinet A, Slide 5) as deeded in Official Record 735, Page 823 and Official Record 464, Page 553 of the Logan County Records of Deeds and being more particularly described as follows:

Beginning at a 5/8 inch iron rod found on the southeast corner of Lot 512 of McCollough Addition on the north right-of-way of a 16.5 feet wide alley.

THENCE, with the east line of Lot 512, also being the east lines of the Stephanie D. Smith part of Lot 512 (O.R. 775, Pg. 120) and Travis D. Predmore part of Lot 512 (O.R. 816, Pg. 830), N 0°-03'-36"W, a distance of 66.00 feet to a 5/8 inch iron rod set, passing a 5/8 inch iron rod found at 50.01 feet.

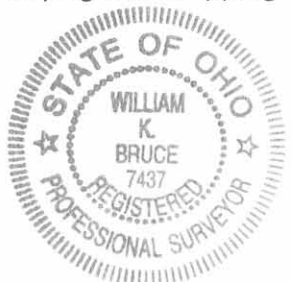
THENCE, S 89°-56'-04"E, a distance of 109.90 feet to a MAG nail set in a concrete and stone wall on the west line of Lot 515.

THENCE, with the west line of Lot 515, S 0°-08'-14"E, a distance of 66.00 feet to a point in the concrete and stone wall on the north right-of-way of the said 16.5 feet wide alley.

THENCE, with the north right-of-way of the said alley, N 89°-56'-04"W, a distance of 109.99 feet to the point of beginning, passing a 5/8 inch iron rod found at 2.00 feet.

Containing 0.166 acre.

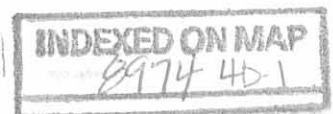
The basis for bearings is the north right-of-way of a 16.5 feet wide alley, being N 89°-56'-04"W, and all other bearings are from angles and distances measured in a field survey by Lee Surveying and Mapping Co., Inc. on June 21, 2007.



ORIGINAL STAMP IN GREEN

Description prepared by:

William K. Bruce
Professional Surveyor 7437
June 21, 2007



3910067

REC'D 6-25-07 SMY OK

Lee Surveying and Mapping Co., Inc.

Land Surveys • Topography • Subdivisions • Construction Layout

117 N. Madriver St.
Bellefontaine OH 43311



Phone: (937) 593-7335
Fax: (937) 593-7444

PILARCZYK 18.00 FEET WIDE INGRESS/EGRESS EASEMENT

Lying in the City of Bellefontaine, Lake Township, Logan County, Ohio.

Being an 18.00 feet wide ingress/egress easement over a portion of the Daniel E. Pilarczyk, Archbishop of Cincinnati, Lot 513 of the McCollough Addition (Plat Cabinet A, Slide 5) as deeded in Official Record 735, Page 823 of the Logan County Records of Deeds and being more particularly described as follows:

Beginning at a 5/8 inch iron rod found on the southeast corner of Lot 512 of McCollough Addition on the north right-of-way of a 16.5 feet wide alley.

THENCE, with the east line of Lot 512, also being the east lines of the Stephanie D. Smith part of Lot 512 (O.R. 775, Pg. 120) and Travis D. Predmore part of Lot 512 (O.R. 816, Pg. 830), N 0°03'-36"W, a distance of 66.00 feet to a 5/8 inch iron rod set, passing a 5/8 inch iron rod found at 50.01 feet.

THENCE, S 89°56'-04"E, a distance of 18.00 feet to a point.

THENCE, S 0°03'-36"E, a distance of 66.00 feet to a point on the north right-of-way of the said 16.5 feet wide alley.

THENCE, with the north right-of-way of the said alley, N 89°56'-04"W, a distance of 18.00 feet to the point of beginning.

The basis for bearings is the north right-of-way of a 16.5 feet wide alley, being N 89°56'-04"W, and all other bearings are from angles and distances measured in a field survey by Lee Surveying and Mapping Co., Inc. on June 21, 2007.



ORIGINAL STAMP IN GREEN

Description prepared by:

William K. Bruce
Professional Surveyor 7437
June 21, 2007

3910067



REV'D 6-25-07 SMY OR

McCULLOUGH ADDITION

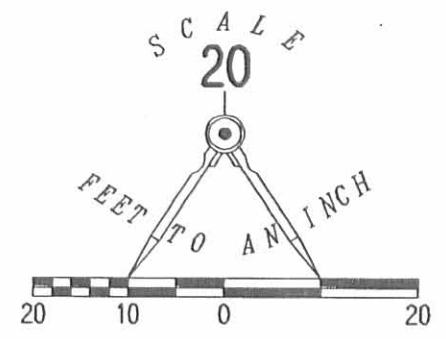
PLAT CABINET A, SLIDE 5

TRAVIS D. PREDMORE
PART OF LOT NO. 512
O.R. 816, PG. 830

DANIEL E. PILARCZYK,
ARCHBISHOP OF CINCINNATI
LOT 513
O.R. 735, PG. 823

DANIEL E. PILARCZYK,
ARCHBISHOP OF CINCINNATI
LOT 514
O.R. 464, PG. 553

STEPHANIE D. SMITH
PART OF LOT NO. 512
O.R. 775, PG. 120



**SURVEY OF TWO TRACTS OUT OF THE
DANIEL E. PILARCZYK,
ARCHBISHOP OF CINCINNATI
LOT 513 AND LOT 514
McCULLOUGH ADDITION
PLAT CABINET A, SLIDE 5
OFFICIAL RECORD 735, PAGE 823
OFFICIAL RECORD 464, PAGE 553
CITY OF BELLEFONTAINE
LAKE TOWNSHIP
LOGAN COUNTY, OHIO**

SURVEYED BY:

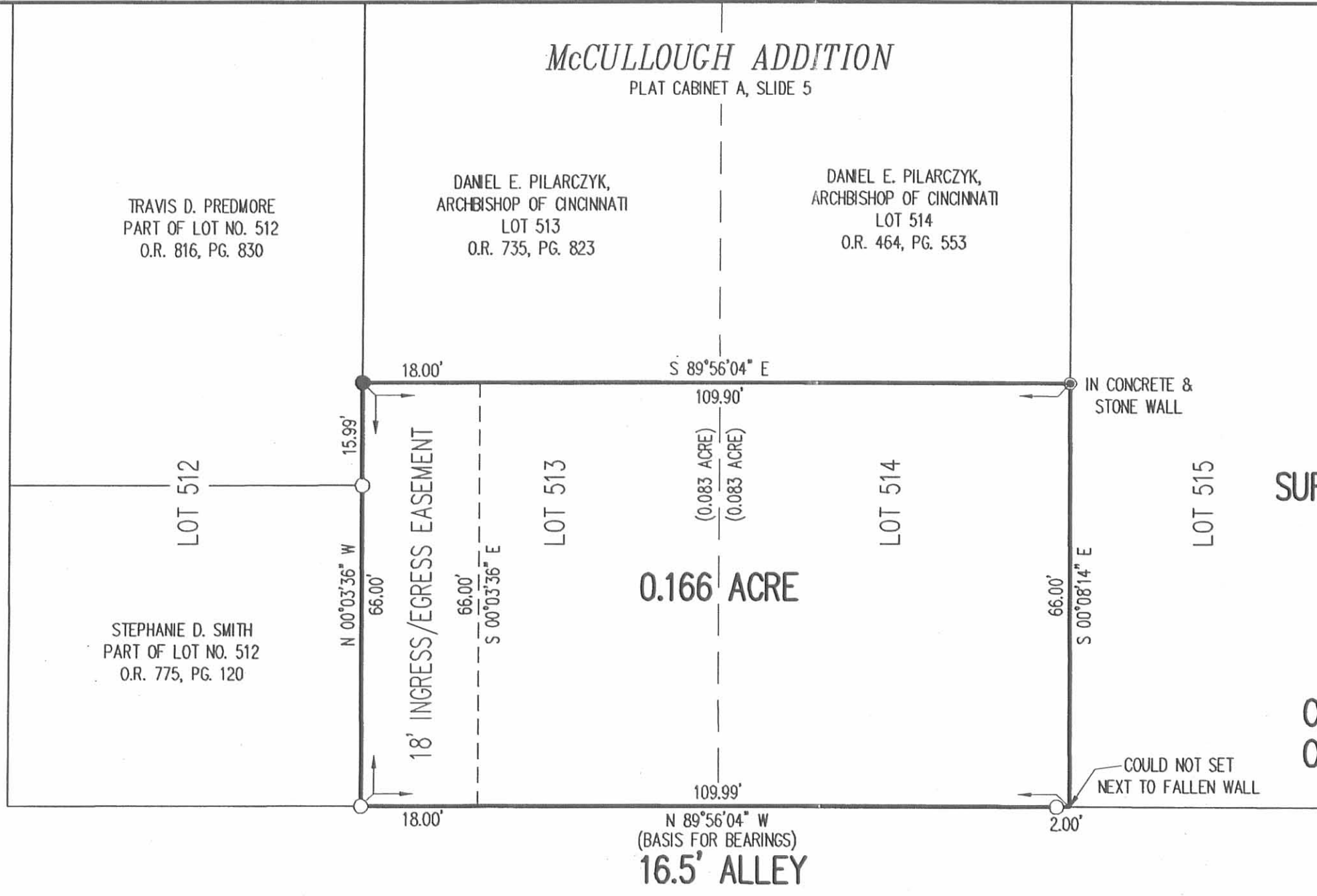
William K. Bruce
WILLIAM K. BRUCE
PROFESSIONAL SURVEYOR 7437
JUNE 21, 2007



ORIGINAL STAMP IN GREEN

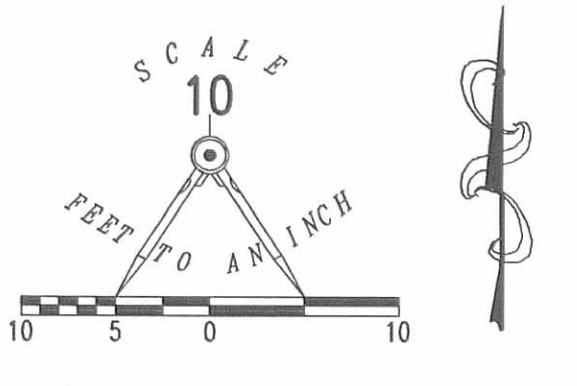
COPYRIGHT 2007 BY:
LEE SURVEYING & MAPPING CO., INC.
117 North Madriver Street
BELLEFONTAINE, OHIO 43311
(937) 593-7335
surveys@lsminc.us
KSS 0607 3910067 L-3910-3

PARK STREET (30')



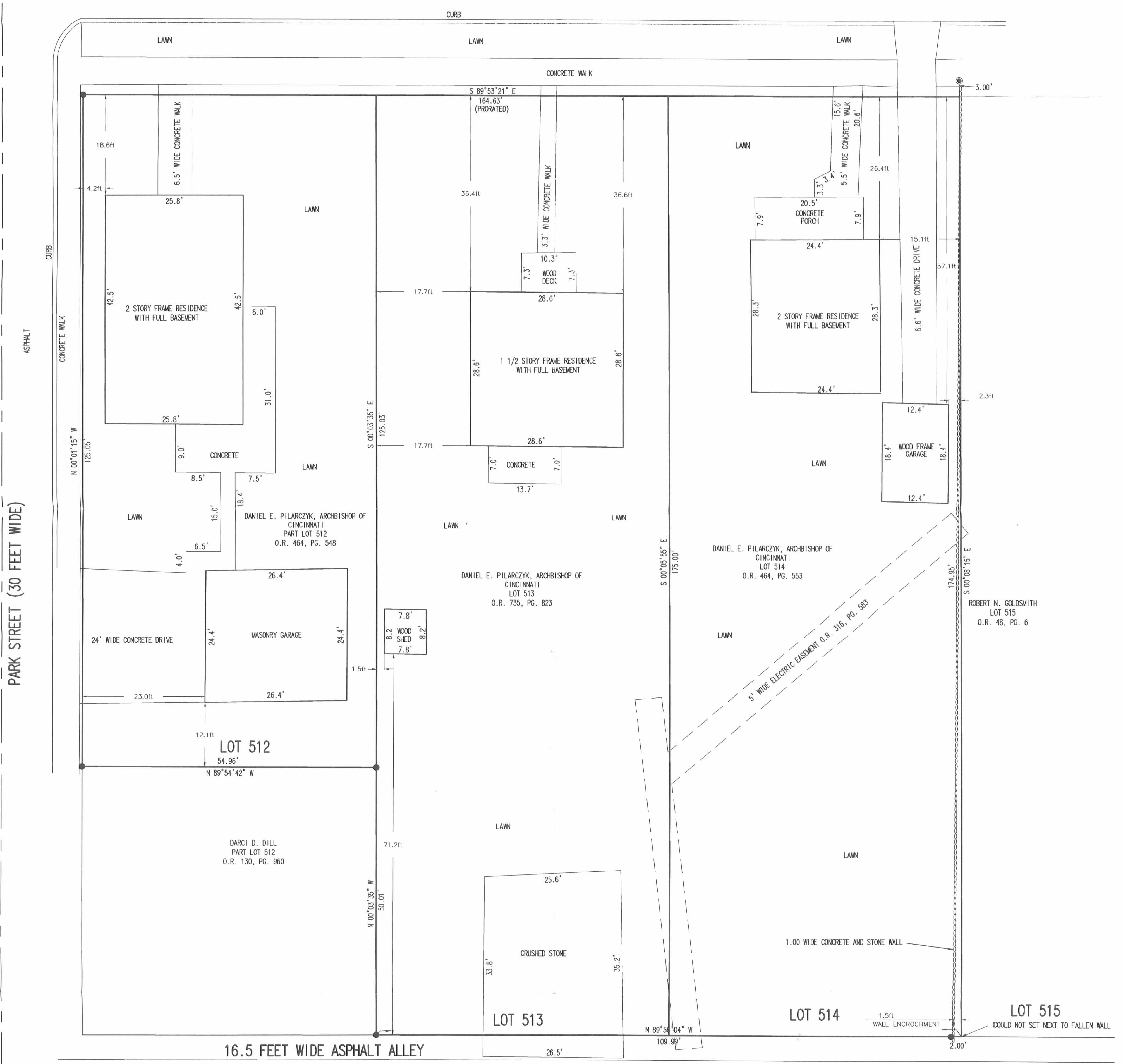
2 WORKING DAYS
BEFORE YOU DIG
CALL TOLL FREE **800-362-2764**
OHIO UTILITIES PROTECTION SERVICE

INDEXED ON MAP
89744P



- LEGEND
- 5/8 INCH IRON ROD SET
 - 5/8 INCH IRON ROD FOUND
 - ⊗ P.K. NAIL FOUND
 - ⊙ MAG NAIL SET
 - ⊙ 1 INCH IRON PIPE FOUND
 - ⊙ 3/4 INCH IRON BAR FOUND
 - ⊙ 4" X 4" STONE MONUMENT FOUND IN MONUMENT BOX
 - ⊙ 2 INCH ROUND PLATE WITH CENTER PUNCHED IN MONUMENT BOX

ASPHALT
PATTERSON AVENUE (60 FEET WIDE)



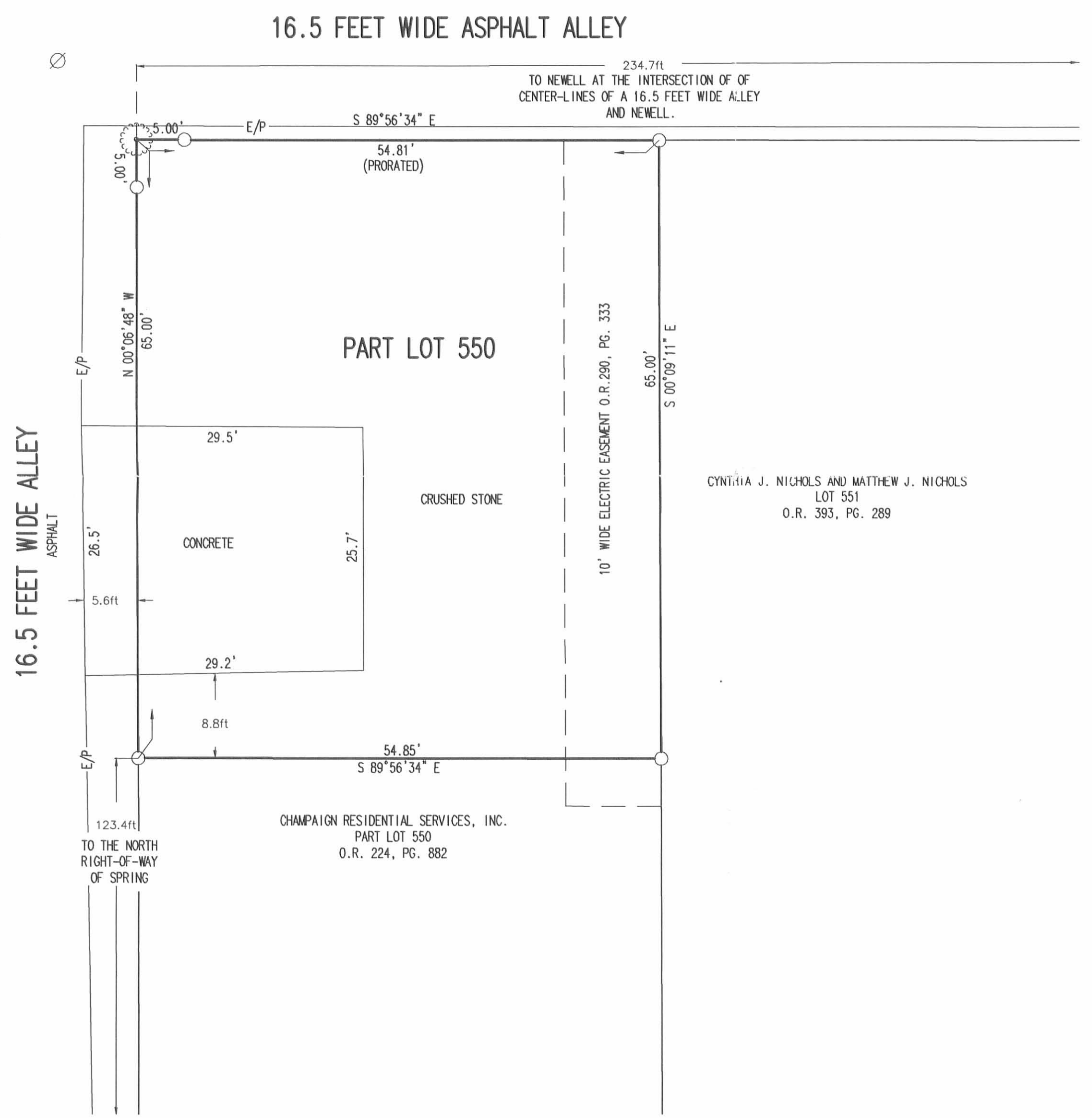
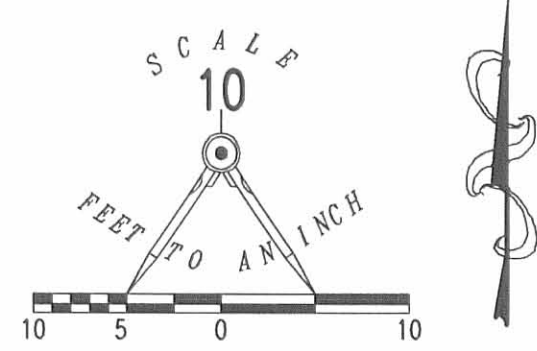
A SURVEY OF
 PART OF LOT OF 512
 OFFICIAL RECORD 464, PAGE 548
 LOT 513
 OFFICIAL RECORD 735, PAGE 823
 LOT 514
 OFFICIAL RECORD 464, PAGE 553
 McCULLOUGH ADDITION
 PLAT CABINET A, SLIDE 5
 DANIEL E. PILARCZYK, ARCHBISHOP OF CINCINNATI
 CITY OF BELLEFONTAINE
 LAKE TOWNSHIP
 LOGAN COUNTY, OHIO



SURVEYED BY:
 JEFFREY L. LEE
 PROFESSIONAL SURVEYOR 6359
 SEPTEMBER 21, 2004
 COPYRIGHT 2004 BY:
 LEE SURVEYING & MAPPING CO.
 117 North Madriver Street, INC.
 BELLEFONTAINE, OHIO 43311
 (937) 593-7335
 ADW D413 39100940 L-3910094-1

2 WORKING DAYS
BEFORE YOU DIG
 CALL TOLL FREE 800-362-2764
 OHIO UTILITIES PROTECTION SERVICE.

INDEXED ON MAP
 2014 SP



- LEGEND
- 5/8 INCH IRON ROD SET
 - 5/8 INCH IRON ROD FOUND
 - ⊗ P.K. NAIL FOUND
 - ⊙ MAG NAIL SET
 - ⊙ 1 INCH IRON PIPE FOUND
 - ⊙ 3/4 INCH IRON BAR FOUND
 - ⊗ 4" X 4" STONE MONUMENT FOUND IN MONUMENT BOX
 - ⊙ TREE

A SURVEY OF
 PART OF LOT 550
 McCULLOUGH ADDITION
 PLAT CABINET A, SLIDE 5
 OFFICIAL RECORD 450, PAGE 88
 DANIEL E. PILARCZYK, ARCHBISHOP OF CINCINNATI
 CITY OF BELLEFONTAINE
 LAKE TOWNSHIP
 LOGAN COUNTY, OHIO

2 WORKING DAYS
BEFORE YOU DIG
 CALL TOLL FREE **800-362-2764**
 OHIO UTILITIES PROTECTION SERVICE

INDEXED ON MAP
 8914 UP

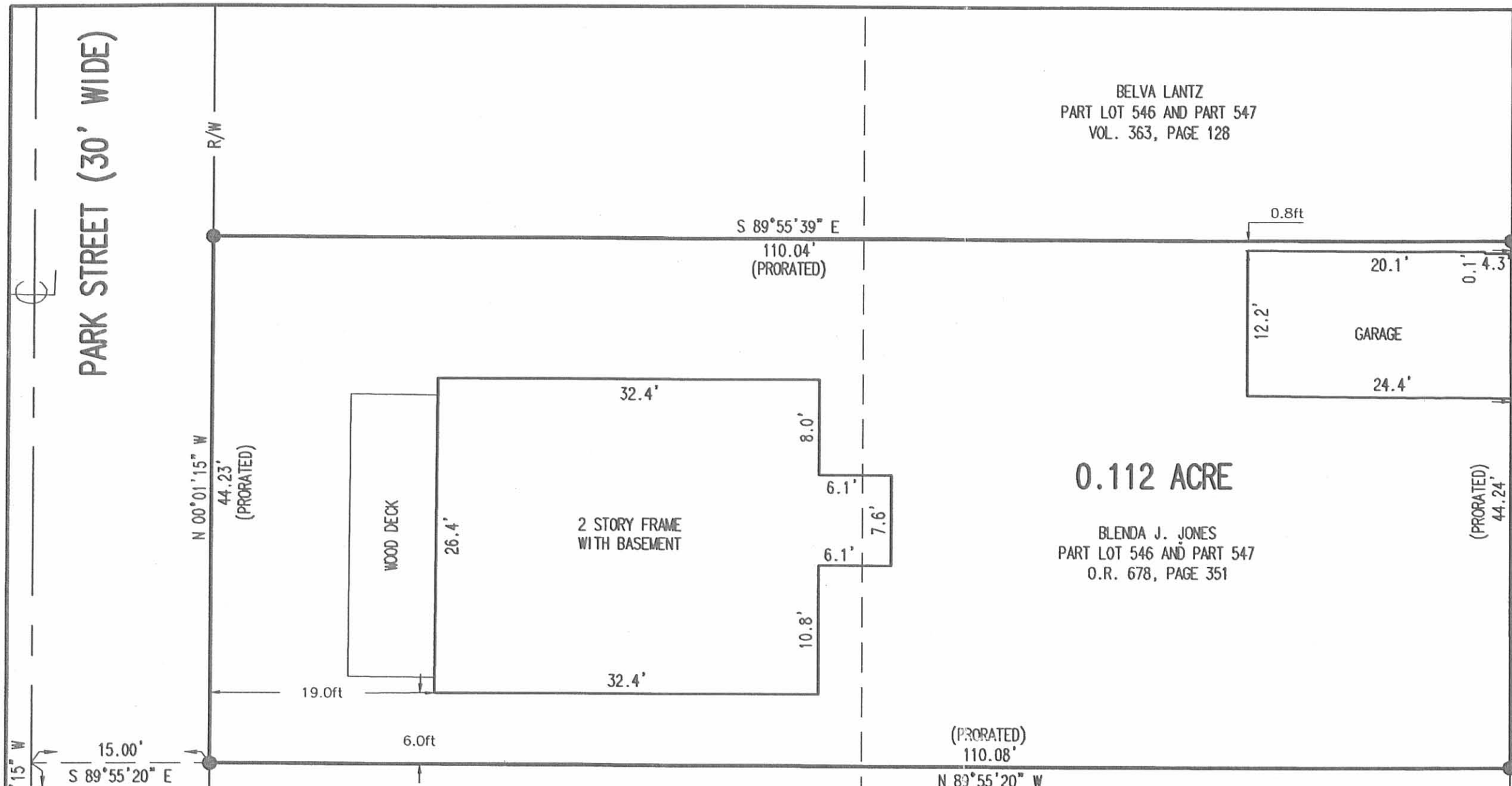


SURVEYED BY:

 JEFFREY I. LEE
 PROFESSIONAL SURVEYOR 6359
 SEPTEMBER 21, 2004
 COPYRIGHT 2004 BY:
 LEE SURVEYING & MAPPING CO.
 117 North Madriver Street, INC.
 BELLEFONTAINE, OHIO 43311
 (937) 593-7335
 ADW D413 3910094B L-3910094-2

REV'D 1-20-05 SWM OK

PARK STREET (30' WIDE)



BELVA LANTZ
PART LOT 546 AND PART 547
VOL. 363, PAGE 128

0.112 ACRE

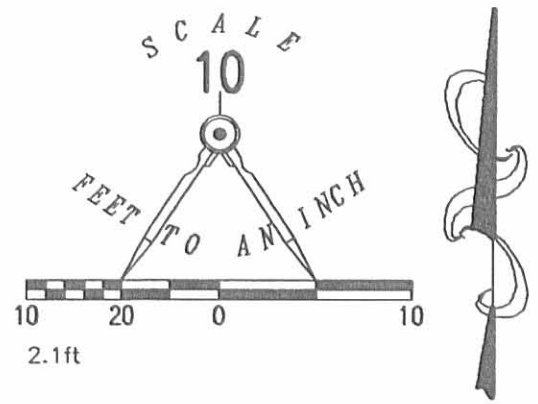
BLENDA J. JONES
PART LOT 546 AND PART 547
O.R. 678, PAGE 351

(PRORATED)
110.08'

FLOYD ALBERT KINNEY AND JULIA LEE KINNEY
PART LOT 546 AND PART 547
VOL. 255, PAGE 448

RETRACEMENT SURVEY OF
BLENDA J. JONES
PART LOT 546 AND PART LOT 547
McCULLOUGH ADDITION
PLAT CABINET A, SLIDE 5
OFFICIAL RECORD 678, PAGE 351
CITY OF BELLEFONTAINE
LAKE TOWNSHIP
LOGAN COUNTY, OHIO

LOT 546
LOT 547



LEGEND

- 5/8 INCH IRON ROD SET
- ⊙ 1 1/4 INCH IRON ROD FOUND

REV, JOHN T. McNICHOLAS
LOT 548 AND LOT 549
VOL. 130, PAGE 541

(60' WIDE)

BASIS FOR BEARINGS
N 90°00'00" W

SPRING AVENUE

2 WORKING DAYS

BEFORE YOU DIG



CALL TOLL FREE 800-362-2764

OHIO UTILITIES PROTECTION SERVICE



ORIGINAL STAMP IN GREEN

SURVEYED BY:

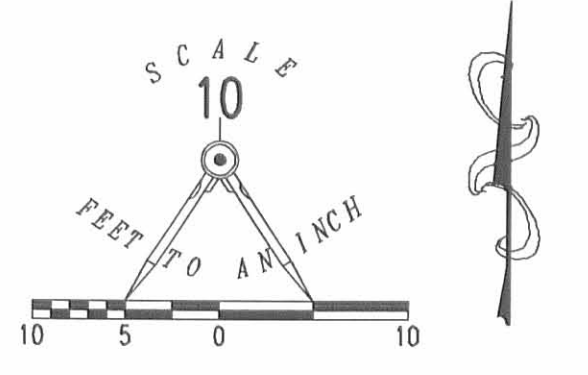
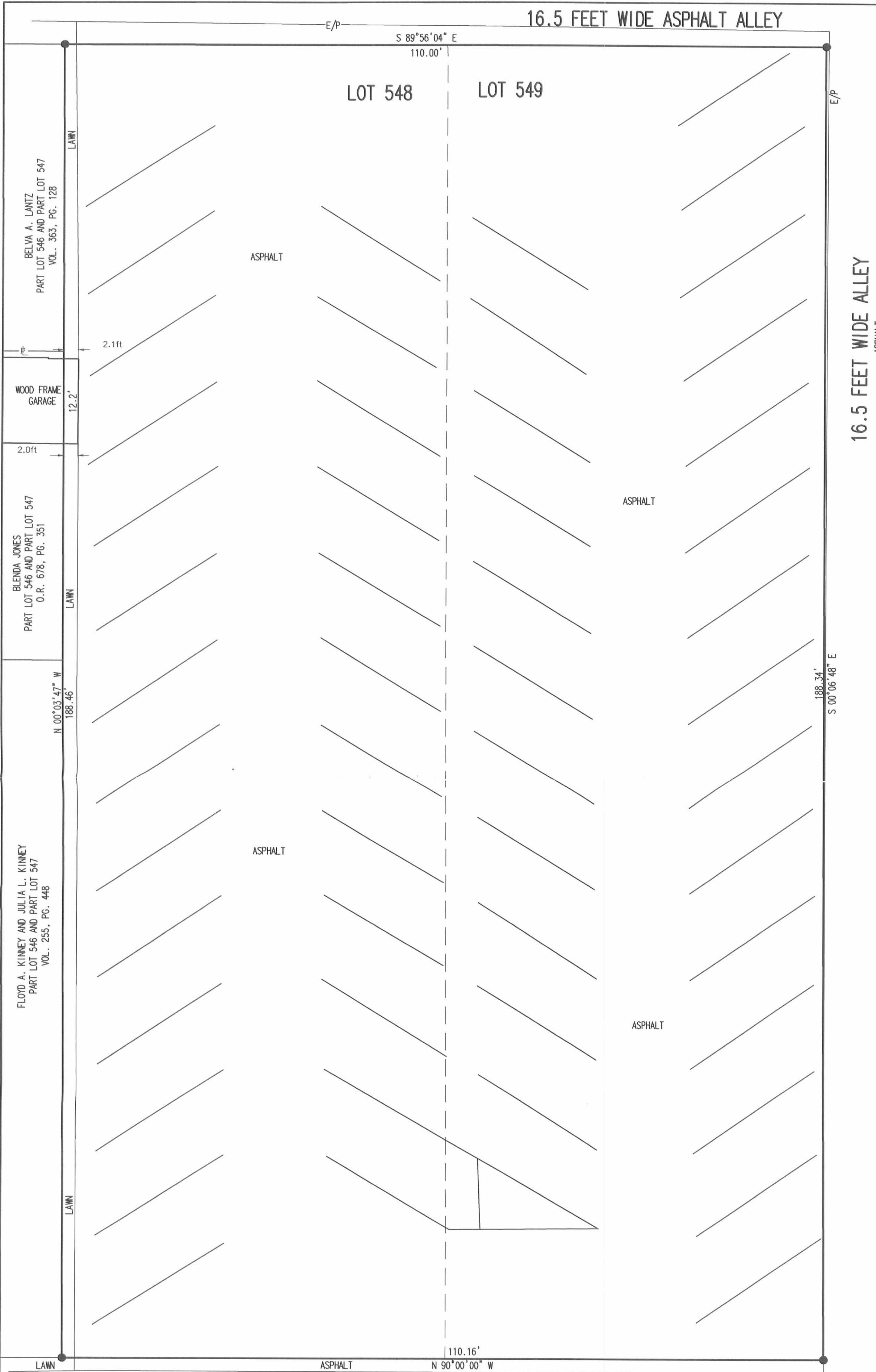
Jeffrey I. Lee
JEFFREY I. LEE
PROFESSIONAL SURVEYOR 6359
JANUARY 12, 2005

COPYRIGHT 2005 BY:
LEE SURVEYING & MAPPING CO., INC.
117 North Madriver Street
BELLEFONTAINE, OHIO 43311
(937) 593-7335

ADW D0105 3961015 L-3961-3

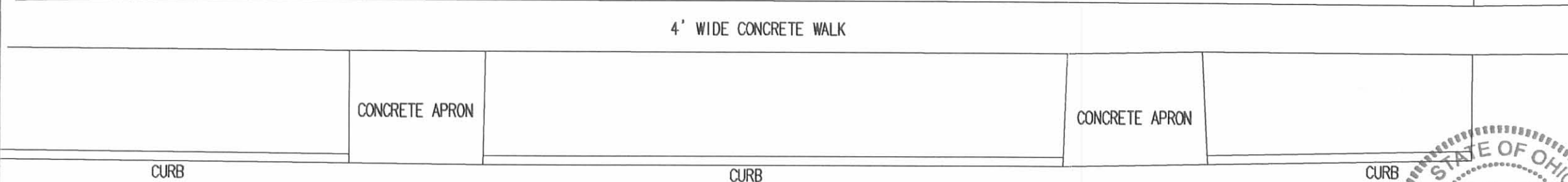
INDEXED ON MAP
2974 7P

REV'D 10-11-04 BMY/OK



- LEGEND
- 5/8 INCH IRON ROD SET
 - 5/8 INCH IRON ROD FOUND
 - ⊗ P.K. NAIL FOUND
 - MAG NAIL SET
 - ⊙ 1 INCH IRON PIPE FOUND
 - ⊗ 3/4 INCH IRON BAR FOUND
 - ⊠ 4" X 4" STONE MONUMENT FOUND IN MONUMENT BOX

A SURVEY OF
 LOT 548 AND LOT 549
 McCULLOUGH ADDITION
 PLAT CABINET A, SLIDE 5
 VOLUME 130, PAGE 541
 REV, JOHN T. McNICHOLAS
 CITY OF BELLEFONTAINE
 LAKE TOWNSHIP
 LOGAN COUNTY, OHIO



2 WORKING DAYS
BEFORE YOU DIG
 CALL TOLL FREE 800-362-2764
 OHIO UTILITIES PROTECTION SERVICE.

ASPHALT
SPRING STREET (60 FEET WIDE)



SURVEYED BY:
[Signature]
 JEFFREY I. LEE
 PROFESSIONAL SURVEYOR 6359
 SEPTEMBER 21, 2004

COPYRIGHT 2004 BY:
 LEE SURVEYING & MAPPING CO
 117 North Madriver Street .. INC.
 BELLEFONTAINE, OHIO 43311
 (937) 593-7335
 ADW D413 3910094C L-3910094-2

INDEXED ON MAP
 2974 05

ORIGINAL STAMP IN GREEN

RD 9-15-99 *final OK GCH*

Lee Surveying and Mapping Co., Inc.

Land Surveys • Topography • Subdivisions • Construction Layout

117 N. Madriver St.
(937) 593-7335
Bellefontaine OH 43311
593-7444



Phone:
Fax: (937)

C.R.S. 0.082 ACRES

Lying in the City of Bellefontaine, Lake Township, Logan County, Ohio.

Being out of Lot 550 of the McCulloughs Addition, Plat Cabinet A, Slides 3 & 5, Logan County Record of Plats and being more particularly described as follows:

Beginning at a 5/8 inch iron rod found at the northwest corner of Lot 551 on the southerly right-of-way of a 16.5 feet wide alley.

THENCE, with the west line of Lot 551 and the east line of Lot 550, S 00°-09'-11" E, a distance of 65.00 feet to a 5/8 inch iron rod set.

THENCE, N 89°-56'-34" W, a distance of 54.99 feet to a 5/8 inch iron rod set on the east right-of-way of a 16.5 feet wide alley.

THENCE, with the west line of Lot 550 and the east right-of-way of a 16.5 feet wide alley, N 0°-07'-36" W, a distance of 65.00 feet to point, passing a 5/8 inch iron rod set for reference at 60.00 feet.

THENCE, with the north line of Lot 550 and the south right-of-way of a 16.5 feet wide alley, S 89°-56'-34" E, a distance of 54.96 feet to a the point of beginning, passing a 5/8 inch iron rod set for reference at 5.00 feet.

Containing 0.082 acre.

The basis for bearings is the south right-of-way of the 16.5 feet wide alley being S 89°-56'-34 E, and all other bearings are from angles and distances measured in a field survey by Lee Surveying and Mapping Co., Inc. on September 9, 1999.



Description prepared by:

[Handwritten Signature]
Jeffrey I. Lee
Professional Surveyor 6359
September 13, 1999

ORIGINAL STAMP IN GREEN

L-2777

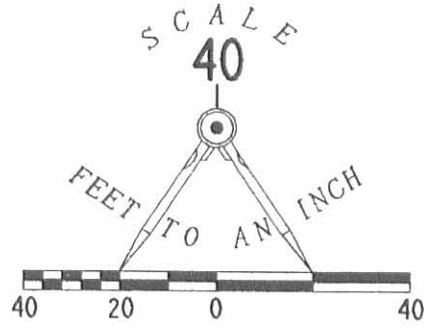
8974 9D

Red 9-15-99 day

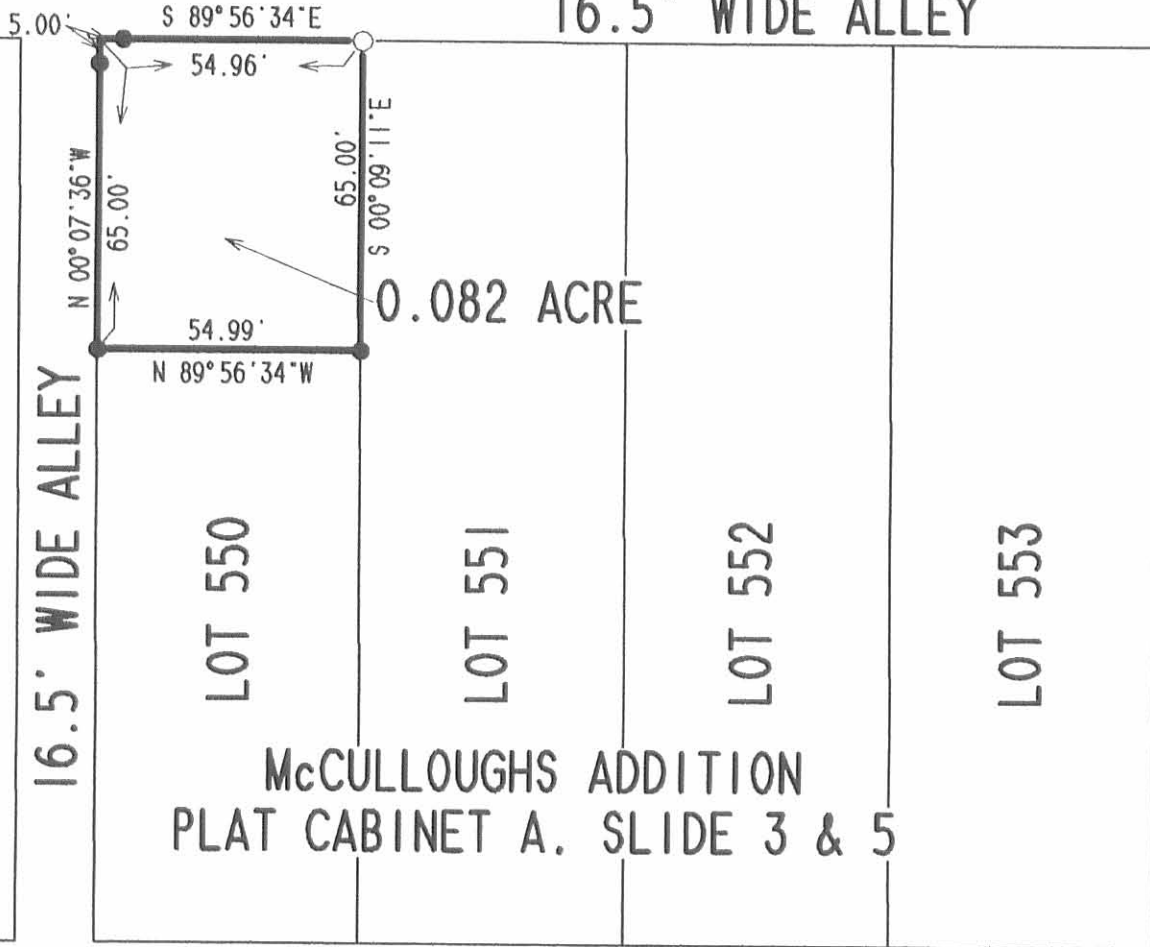


LEGEND

- 5/8" IRON ROD SET
- 1" IRON PIPE FOUND
- 5/8" IRON ROD FOUND



(BASIS FOR BEARINGS)



LOT 549

16.5' WIDE ALLEY

LOT 550

LOT 551

LOT 552

LOT 553

NEWELL STREET

(30 FEET WIDE)

McCULLOUGH'S ADDITION
PLAT CABINET A. SLIDE 3 & 5

SPRING STREET

(60 FEET WIDE)

SURVEY OF A 0.082 ACRE TRACT
OUT OF THE
McCULLOUGH'S ADDITION
LOT 350
PLAT CABINET A. SLIDE 3 & 5
CITY OF BELLEFONTAINE
LAKE TOWNSHIP
LOGAN COUNTY, OHIO

3974 9P



ORIGINAL STAMP IN GREEN

SURVEYED BY:

(Signature)
 JEFFREY I. LEE
 PROFESSIONAL SURVEYOR 6359
 SEPTEMBER 13, 1999

COPYRIGHT 1999 BY:

LEE SURVEYING & MAPPING CO., INC.

117 North Madriver Street
 BELLEFONTAINE, OHIO 43311

(937) 593-7335



2 WORKING DAYS

BEFORE YOU DIG



CALL TOLL FREE 800-362-2764

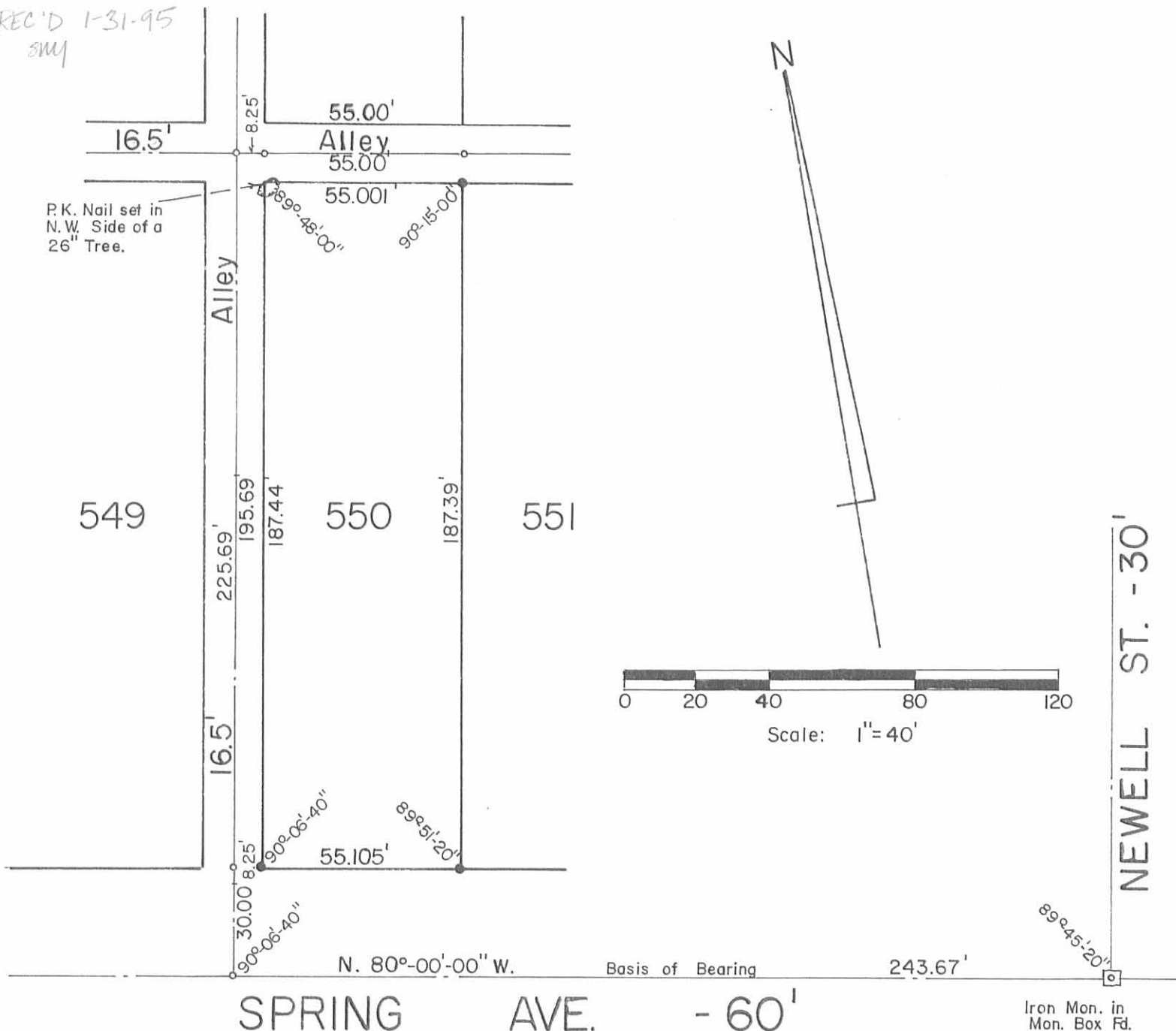
OHIO UTILITIES PROTECTION SERVICE.

D-354

STPATRIC

L-2777-4

REC'D 1-31-95
SMJ



SYMBOLS:

- o - P. K. Nails Set.
- - 5/8 x 30" Rebars Set.

Survey of Lot No. 550
 City of Bellefontaine
 Lake Township
 Logan County, Ohio
 April 19, 1994

Daniel E. Gilbert
 DANIEL E. GILBERT, P.S.
 REG. SUR. NO. 5402
 400 N. PARK ST.
 BELLEFONTAINE, OHIO 43311
 TELEPHONE: 1 (513) 593-1428



INDEXED ON MAP
 8974 IDP

094-019