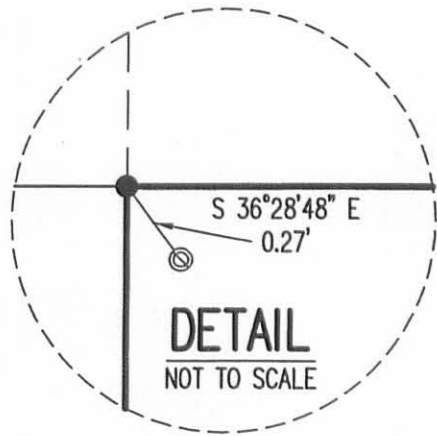


REC'D 5-2-11 S.M.A.R.

LEGEND:

- ⊕ 5" CONCRETE MONUMENT FOUND
- ⊙ 3/4 INCH IRON PIPE FOUND
- ⊘ 1/2 INCH IRON PIPE FOUND
- AXLE FOUND
- ⊙ 1 INCH IRON BAR FOUND
- ⊙ MAG NAIL SET IN CONCRETE AT BASE OF BENT 5/8 INCH IRON ROD FOUND IN CONCRETE
- 5/8 INCH IRON ROD SET WITH PLASTIC I.D. CAP STAMPED "LSM 7437"



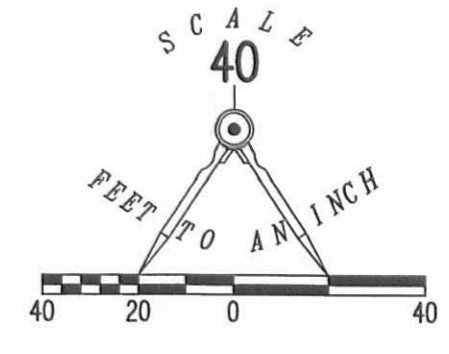
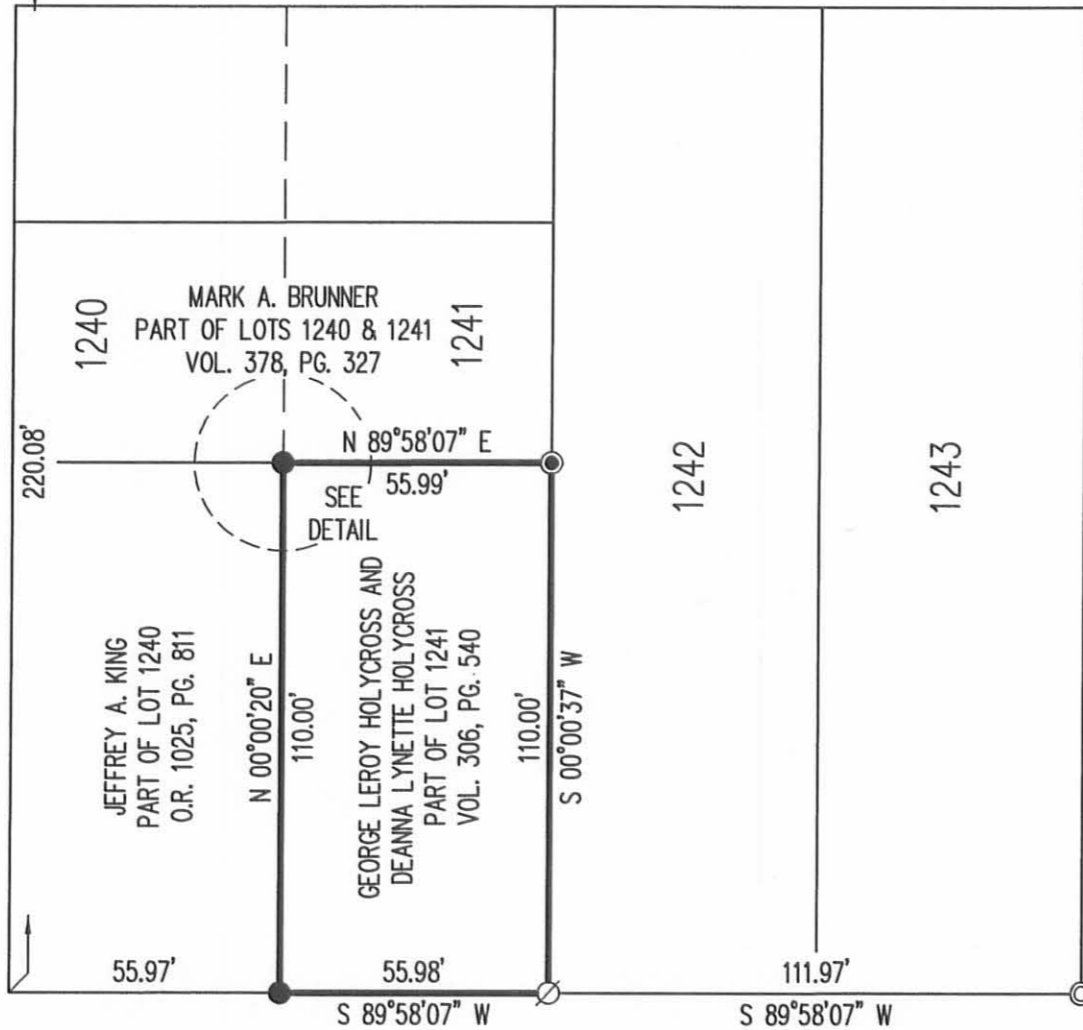
DETROIT STREET (60')

N 00°00'00" E
436.16'

MAPLE AVENUE (30')

N 89°58'53" E 223.98'

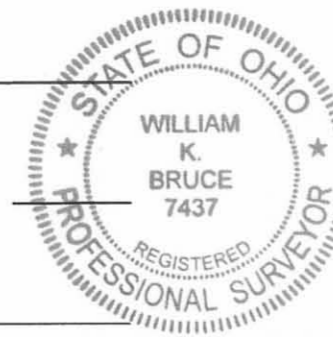
15' ALLEY



RETRACEMENT SURVEY OF THE
 GEORGE LEROY HOLYCROSS AND
 DEANNA LYNETTE HOLYCROSS
 PART OF LOT 1241
 CARTER SOUTH ADDITION
 PLAT CABINET A, SLIDE 19
 VOLUME 306, PAGE 540
 SECTION 34, TOWN 4, RANGE 14
 CITY OF BELLEFONTAINE
 LAKE TOWNSHIP
 LOGAN COUNTY, OHIO

SURVEYED BY:

William K. Bruce
 WILLIAM K. BRUCE
 PROFESSIONAL SURVEYOR 7437
 APRIL 28, 2011



ORIGINAL STAMP IN GREEN

COPYRIGHT 2011 BY:
 LEE SURVEYING & MAPPING CO., INC.
 117 North Madriver Street
 BELLEFONTAINE, OHIO 43311
 (937) 593-7335
 surveys@lsminc.us
 KSS D0411 51170411 L-5117-3

2 WORKING DAYS
BEFORE YOU DIG
 CALL TOLL FREE **800-362-2764**
 OHIO UTILITIES PROTECTION SERVICE

CARTER AVENUE (50')

INDEXED ON MAP
 9641 1P