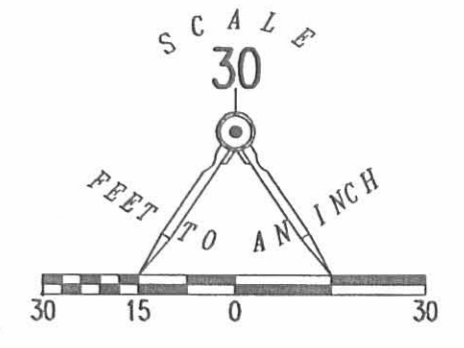


REV'D 4-13-05 8MM OK



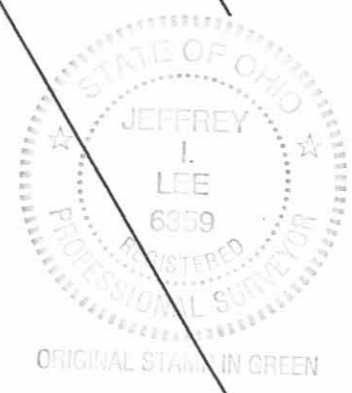
LEGEND:

- 5/8 INCH IRON ROD SET
- ⊗ MAG NAIL FOUND
- ⊗ RAILROAD SPIKE FOUND

RETRACEMENT SURVEY OF THE
 RACHEL OAKS
 PARTS OF LOTS 15 AND 16
 VILLAGE OF DEGRAFF
 PLAT CABINET A, SLIDE 79
 OFFICIAL RECORD 748, PAGE 680
 VILLAGE OF DEGRAFF
 MIAMI TOWNSHIP
 LOGAN COUNTY, OHIO

SURVEYED BY:

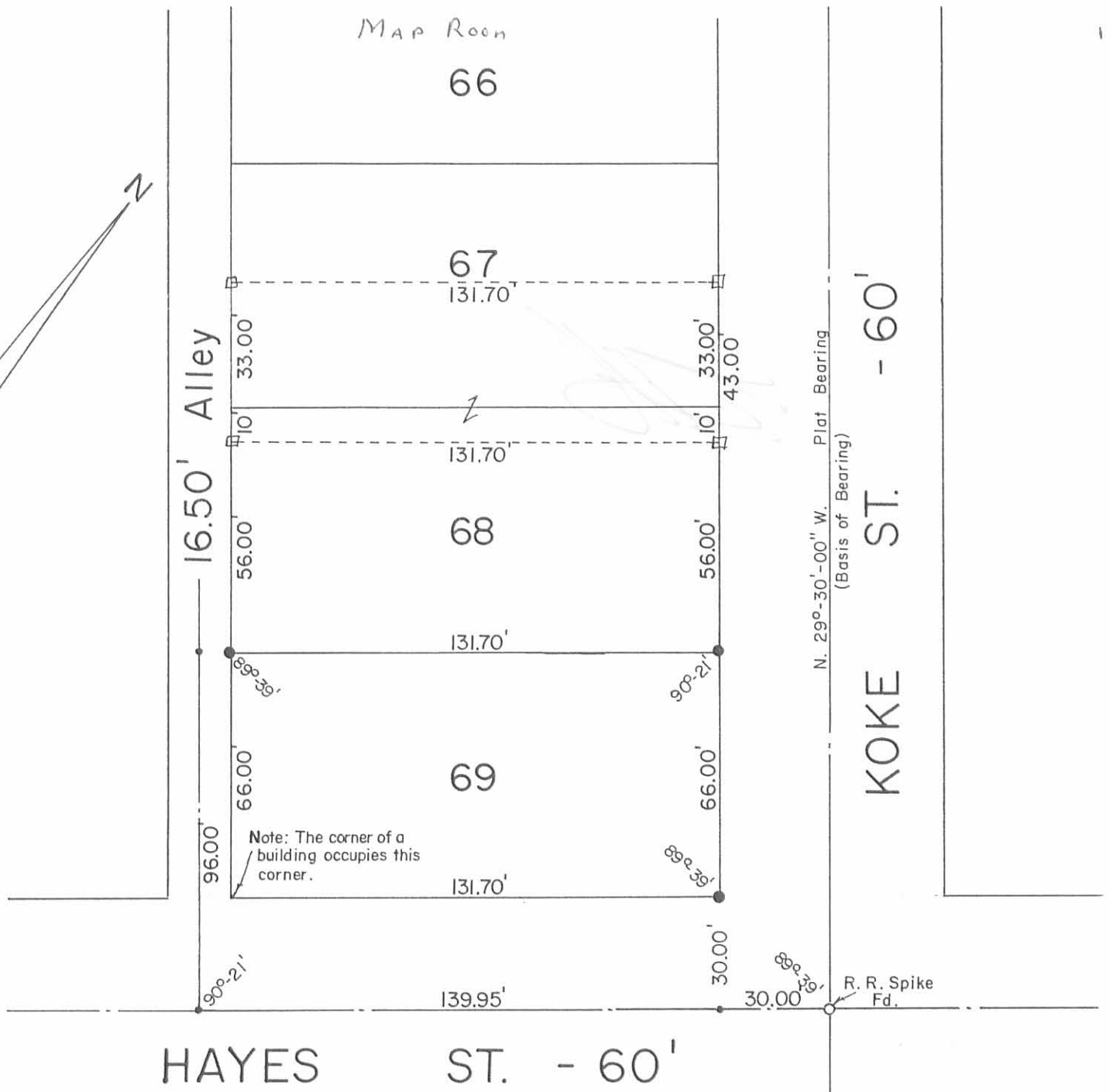
Jeffrey I. Lee
 JEFFREY I. LEE
 PROFESSIONAL SURVEYOR 6359
 APRIL 8, 2005
 REVISED APRIL 13, 2005



COPYRIGHT 2005 BY:
 LEE SURVEYING & MAPPING CO., INC.
 117 North Madriver Street
 BELLEFONTAINE, OHIO 43311
 (937) 593-7335

2 WORKING DAYS
BEFORE YOU DIG
 CALL TOLL FREE **800-362-2764**
 OHIO UTILITIES PROTECTION SERVICE.

INDEXED ON MAP
 4587 1P



REFERENCES:

Koke's Northern Addition.
Plat Cab. A, Slide 79.
Index No. 4587 -Drawer R.

SYMBOLS:

- - P. NAILS SET.
- - 5/8" x 30" Rebars Set.
- - 1/2" Iron Bars Fd.

KACHELE SURVEY
Lot No. 69
Village of DeGraff
Miami Township
Logan County, Ohio
August 4, 1992

Daniel E. Gilbert

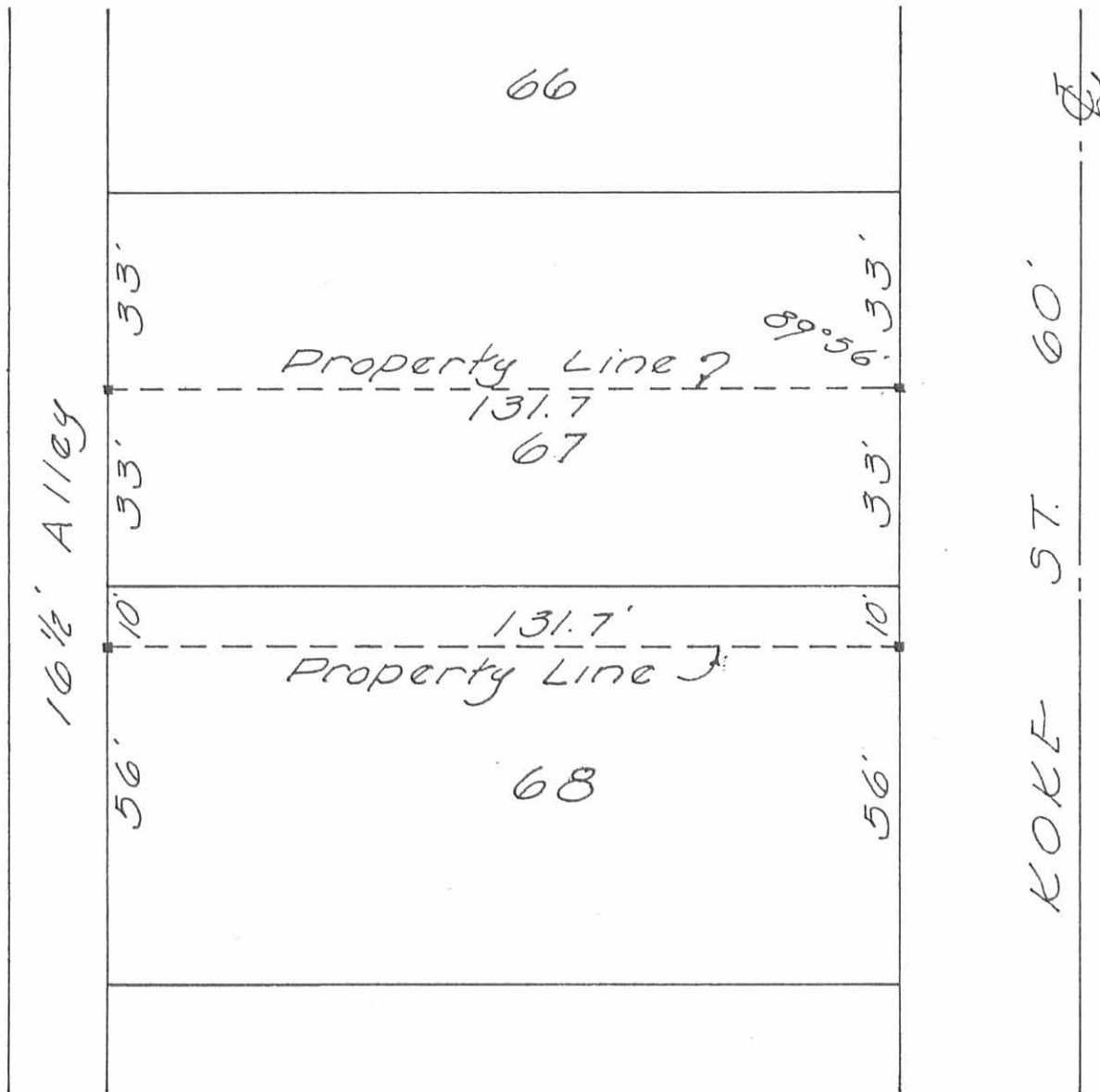
DANIEL E. GILBERT, P.S.
REG. SUR. NO. 5402
400 N. PARK ST.
BELLEFONTAINE, OHIO 43311
TELEPHONE: 1 (513) 593-1428



INDEXED ON MAP
4587 2P

SCALE: 1" = 40'

092-045



DESCRIPTION:

Being the south half of lot 67 and 10 feet off the north side of lot 68.

■ = Iron Bar Set

REFERENCE:

Kokes Addition
Plat Book A, Vol. 2, Pg. 83

SURVEY OF PART LOTS 68-69
DEGRAFF, OHIO
OCTOBER 6, 1962
SCALE 1"=30'

Dan L. Dodson

Dan L. Dodson
Registered Surveyor 4270
Bellefontaine, Ohio

INDEXED ON MAP
4587 2P

OAKS to EYE DESCRIPTION

JULY, 1969

Being situated in the Village of De Graff, Ohio and being a part of Section 6, Town 3, Range 13, Miami Township, Logan County, Ohio; and being 22.0 feet off the south side of Lot #15 of the said Village of De Graff. Being more particularly described as follows:

Beginning at the southeast corner of said Lot #15.

Thence with the south line of said Lot #15 S 60°W 132.0 feet to the southwest corner of Lot #15.

Thence with the west line of Lot #15 N 30° W 22.0 feet to a iron.

Thence N 60° E 132.0 feet to a iron in the east line of Lot #15.

Thence S 30° E 22.0 feet to the place of beginning.

OWEN K. SHIRK

SURVEYOR 4271

INDEXED ON MAP

4587 HD

10-16-13

Lee Surveying and Mapping Co., Inc.



Land Surveys • Topography • Subdivisions • Construction Layout

117 N. Madriver St.
Bellefontaine OH 43311



Phone: (937) 593-7335
Fax: (937) 593-7444
surveys@lsminc.us

LEIBERICK 0.011 ACRE

Lying in Section 6, Town 3, Range 13, Miami Township, Village of DeGraff, Logan County, Ohio.

Being out of the Connie Leiberick south half of Lot 14 (Village of DeGraff, Plat Cabinet A, Slide 79), as deeded and described in Official Record 708, Page 560 of the Logan County Records of Deeds and being more particularly described as follows:

Commencing at a 5/8 inch iron rod found at the intersection of the southerly right-of-way of Hayes Street (60 feet wide) and the westerly right-of-way of Koke Street (60 feet wide).

THENCE, with the westerly right-of-way of Koke Street, S 30°-00'-00"E, a distance of 163.96 feet to a point, at the TRUE POINT OF BEGINNING, referenced by a P.K. nail found that bears N 60°-35'-16"E, a distance of 0.09 feet.

THENCE, with the westerly right-of-way of Koke Street, S 30°-00'-00"E, a distance of 7.37 feet to a 5/8 inch iron rod set.

THENCE, S 61°-02'-13"W, a distance of 60.98 feet to a 5/8 inch iron rod set.

THENCE, N 82°-37'-52"W, a distance of 11.53 feet to a 5/8 inch iron rod set.

THENCE, with the south line of the Ronald E. Leiberick and Connie L. Leiberick north half of Lot 14, (Vol. 389, Pg. 941, Tract I), N 60°-35'-51"E, a distance of 70.15 feet to the point of beginning.

Containing 0.011 acre.

Property is subject to any and all previous easements and rights-of-way of record.

The basis for bearings is the westerly right-of-way of Koke Street, being S 30°-00'-00"E, and all other bearings are from angles and distances measured in a field survey by Lee Surveying and Mapping Co., Inc. on October 10, 2013.

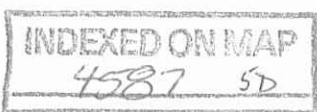
Description prepared by:



ORIGINAL STAMP IN GREEN

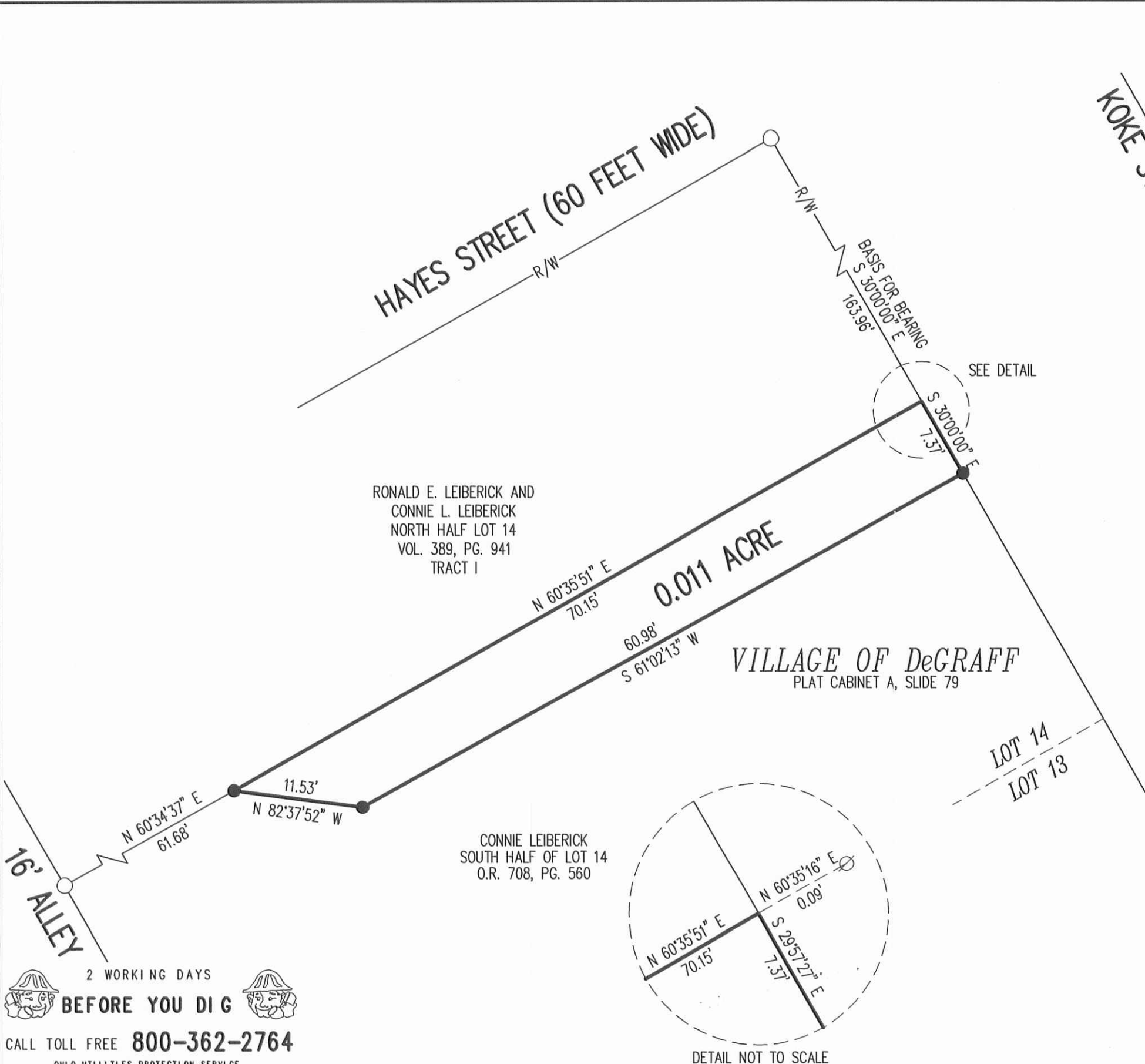
William K. Bruce
Professional Surveyor 7437
October 10, 2013

L-56030813



10-16-13

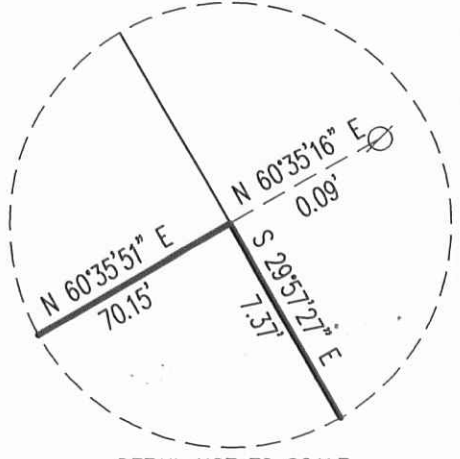
APPROVED



RONALD E. LEIBERICK AND
 CONNIE L. LEIBERICK
 NORTH HALF LOT 14
 VOL. 389, PG. 941
 TRACT I

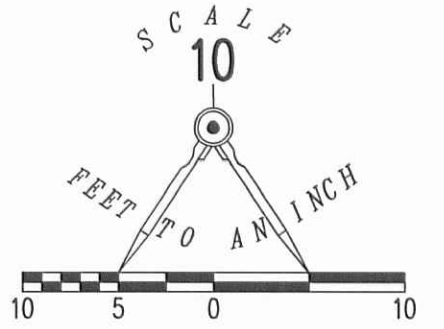
CONNIE LEIBERICK
 SOUTH HALF OF LOT 14
 O.R. 708, PG. 560

VILLAGE OF DeGRAFF
 PLAT CABINET A, SLIDE 79



DETAIL NOT TO SCALE

KOKE STREET (60 FEET WIDE)



LEGEND

- 5/8 INCH IRON ROD SET WITH PLASTIC I.D. CAP STAMPED "LSM7437"
- 5/8 INCH IRON ROD FOUND
- ⊗ P.K. NAIL FOUND

SURVEY OF A 0.011 ACRE TRACT OUT OF THE
 CONNIE LEIBERICK
 SOUTH HALF OF LOT 14
 OFFICIAL RECORD 708, PAGE 560
 VILLAGE OF DeGRAFF
 PLAT CABINET A, SLIDE 79
 SECTION 6, TOWN 3, RANGE 13
 VILLAGE OF DeGRAFF
 MIAMI TOWNSHIP
 LOGAN COUNTY, OHIO

SURVEYED BY:

William K. Bruce

WILLIAM K. BRUCE
 PROFESSIONAL SURVEYOR 7437
 OCTOBER 10, 2013



ORIGINAL STAMP IN GREEN

COPYRIGHT 2013 BY:
LEE SURVEYING & MAPPING CO., INC.
 117 North Madriver Street
 BELLEFONTAINE, OHIO 43311
 (937) 593-7335
 WWW.LSMINC.US
 surveys@lsminc.us

ADW D0813 56030813 L-5603-3

2 WORKING DAYS
BEFORE YOU DIG
 CALL TOLL FREE **800-362-2764**
 OHIO UTILITIES PROTECTION SERVICE.

INDEXED ON MAP
 4587 5P