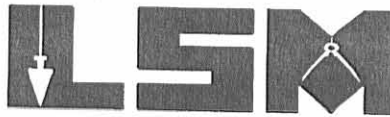


REC'D 1-16-07 SWY/DR

Lee Surveying and Mapping Co., Inc.

Land Surveys • Topography • Subdivisions • Construction Layout

117 N. Madriver St.
Bellefontaine OH 43311



Phone: (937) 593-7335
Fax: (937) 593-7444

1975-2005 - 30 YEARS OF EXCELLENCE

**CHAMPAIGN LANDMARK, INC.
0.083 ACRE**

Lying in Section 12, Town 3, Range 13, Village of DeGraff, Miami Township, Logan County, Ohio.

Being out of the Champaign Landmark, Inc., 7.716 acre tract as deeded and described in Official Record 445, Page 735 of the Logan County Records of Deeds and being more particularly described as follows:

Beginning on a railroad spike found on the center-line of Koke Street at the southerly terminus of said street (Vol. 385, Pg. 447).

THENCE, with the southerly end of Koke Street (60 feet wide), N 61°-30'-00"E, a distance of 30.00 feet to a railroad rail on end found.

THENCE, S 28°-30'-00"E, a distance of 100.00 feet to a 5/8 inch iron rod set.

THENCE, S 8°-22'-12"W, a distance of 50.00 feet to a 5/8 inch iron rod set on the center-line of vacated Koke Street.

THENCE, with the center-line of vacated Koke Street, N 28°-30'-00"W, a distance of 140.00 feet to the point of beginning.

Containing 0.083 acre.

The basis for bearings is the center-line of Koke Street, being S 28°-30'-00"E, and all other bearings are from angles and distances measured in a field survey by Lee Surveying and Mapping Co., Inc. on January 11, 2007.



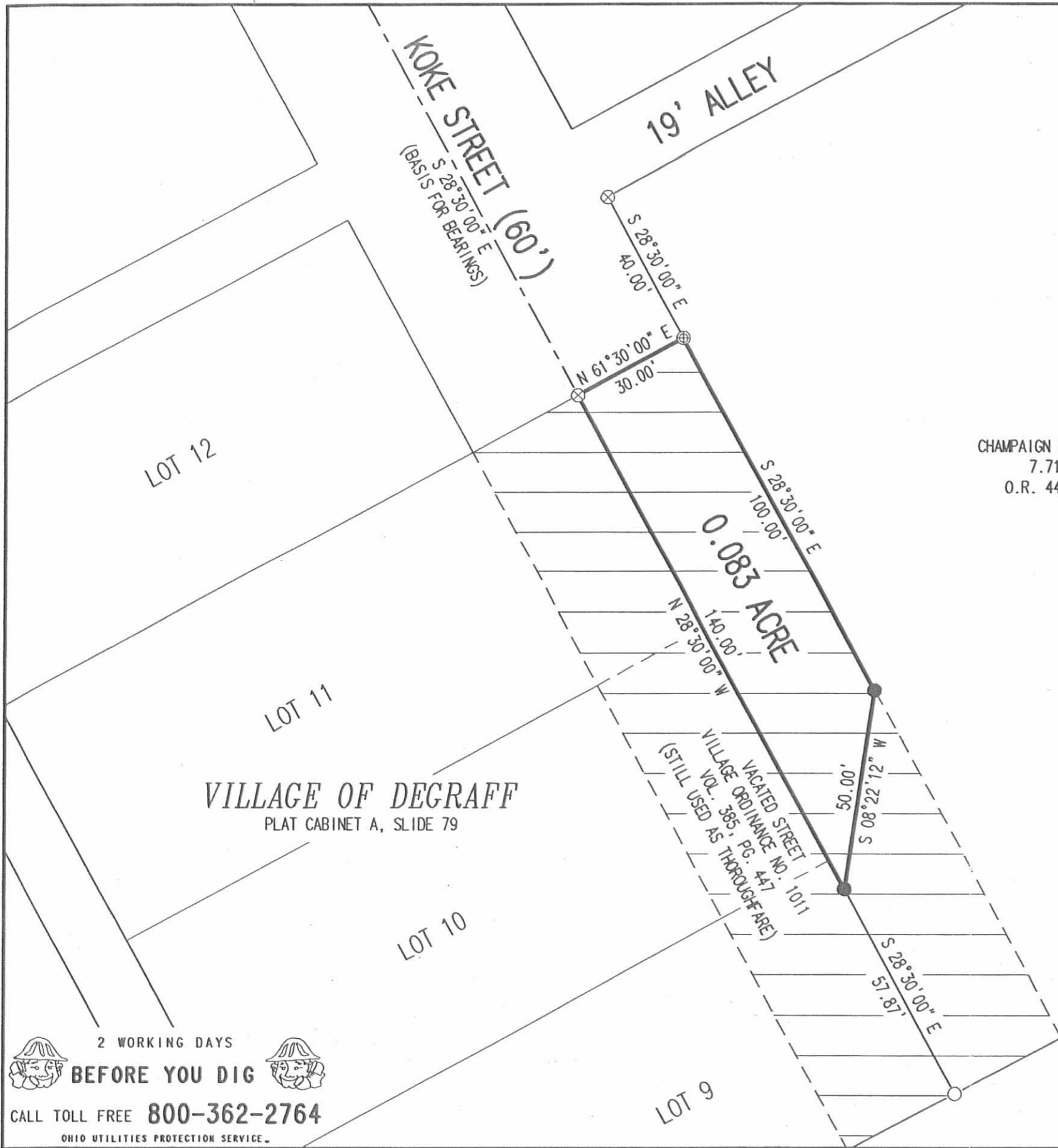
Description prepared by:

William K. Bruce
Professional Surveyor 7437
January 12, 2007

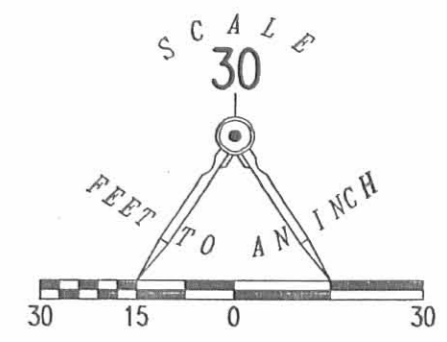
4365017



REC'D 1-16-07 SAM OK



CHAMPAIGN LANDMARK, INC.
7.716 ACRES
O.R. 445, PG. 735



LEGEND:

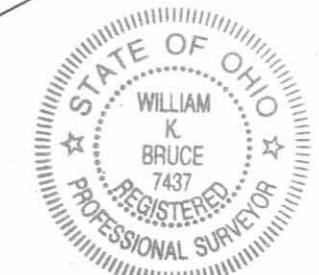
- ⊗ RAILROAD SPIKE FOUND
- ⊕ RAILROAD RAIL ON END FOUND
- 5/8 INCH IRON ROD FOUND
- 5/8 INCH IRON ROD SET

SURVEY OF 0.083 ACRE OUT OF THE
CHAMPAIGN LANDMARK, INC.
7.716 ACRE TRACT
OFFICIAL RECORD 445, PAGE 735
SECTION 12, TOWN 3, RANGE 13
VILLAGE OF DEGRAFF
MIAMI TOWNSHIP
LOGAN COUNTY, OHIO

VILLAGE OF DEGRAFF
PLAT CABINET A, SLIDE 79

SURVEYED BY:

William K. Bruce
WILLIAM K. BRUCE
PROFESSIONAL SURVEYOR 7437
JANUARY 11, 2007



ORIGINAL STAMP IN GREEN

COPYRIGHT 2007 BY:
LEE SURVEYING & MAPPING CO., INC.
117 North Madriver Street
BELLEFONTAINE, OHIO 43311
(937) 593-7335

2 WORKING DAYS
BEFORE YOU DIG
CALL TOLL FREE **800-362-2764**
OHIO UTILITIES PROTECTION SERVICE.

INDEXED ON MAP
6346 1P

KSR D0107 4365017 L-4365-3