

REC'D 8-24-09 *SMY ak*

# Lee Surveying and Mapping Co., Inc.

Land Surveys • Topography • Subdivisions • Construction Layout

117 N. Madriver St.  
Bellefontaine OH 43311



Phone: (937) 593-7335  
Fax: (937) 593-7444  
surveys@lsminc.us

## DOWNING 1.106 ACRES

Lying in Section 3, Town 3, Range 14, Harrison Township, Logan County, Ohio.

Being out of the Don Downing and Helen M. Downing original 40 acre tract as deeded and described in Official Record 464, Page 598, Tract I of the Logan County Records of Deeds and being more particularly described as follows:

Beginning on a stone found in a monument box on the southwest corner of Section 3 on the intersection of the center-lines of Township Road 200 and Township Road 32.

THENCE, with the west line of Section 3 and the center-line of Township Road 32 (40 feet wide), N 04°-02'-51"E, a distance of 205.00 feet to a MAG nail set.

THENCE, S 85°-39'-26"E, a distance of 235.00 feet to a 5/8 inch iron rod set, passing a 5/8 inch iron rod set at 20.00 feet.

THENCE, S 04°-02'-51"W, a distance of 205.00 feet to a MAG nail set on the south line of Section 3 and the center-line of Township Road 200, passing a 5/8 inch iron rod set at 190.00 feet.

THENCE, with the south line of Section 3 and the center-line of Township Road 200 (30 feet wide), N 85°-39'-26"W, a distance of 235.00 feet to the point of beginning.

Containing 1.106 acres, of which 0.168 acre is within the highway right-of-way.

The basis for bearings is the south line of Section 3, being N 85°-39'-26"W, and all other bearings are from angles and distances measured in a field survey by Lee Surveying and Mapping Co., Inc. on August 19, 2009.



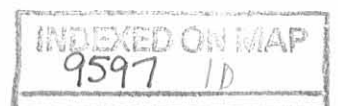
ORIGINAL STAMP IN GREEN

Description prepared by:

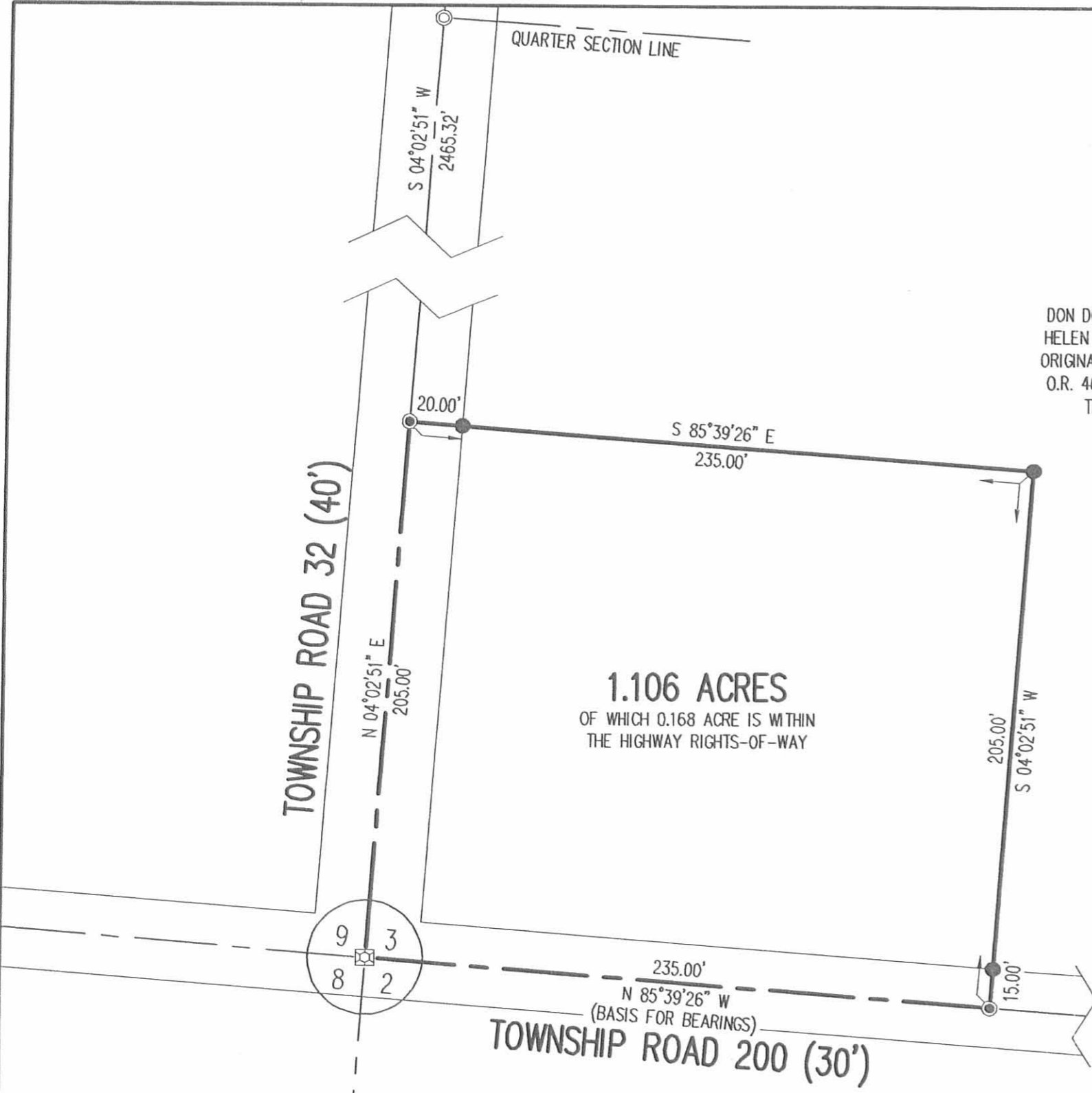
A handwritten signature in cursive script that reads 'William K. Bruce'.

William K. Bruce  
Professional Surveyor 7437  
August 20, 2009

4844089



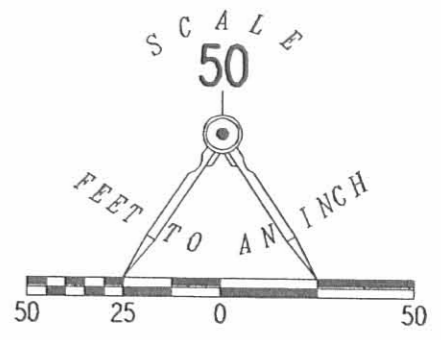
REC'D 8-24-09 SMY DC



DON DOWNING AND HELEN M. DOWNING ORIGINAL 40 ACRES O.R. 464, PG. 598 TRACT I

LEGEND:

- ☒ STONE FOUND IN MONUMENT BOX
- ⊙ 3/8 INCH IRON ROD FOUND
- ⊕ COUNTY RESURVEY MONUMENT FOUND IN MONUMENT BOX
- MAG NAIL SET
- 5/8 INCH IRON ROD SET WITH PLASTIC I.D. CAP STAMPED "LSM 7437"

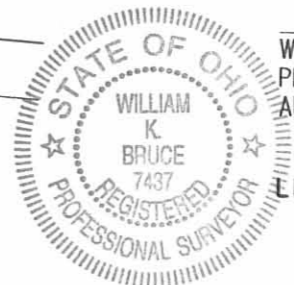


SURVEY OF 1.106 ACRES OUT OF THE  
 DON DOWNING AND  
 HELEN M. DOWNING  
 ORIGINAL 40 ACRE TRACT  
 OFFICIAL RECORD 464, PAGE 598  
 TRACT I  
 SECTION 3, TOWN 3, RANGE 14  
 HARRISON TOWNSHIP  
 LOGAN COUNTY, OHIO

SURVEYED BY:

*William K Bruce*

WILLIAM K. BRUCE  
PROFESSIONAL SURVEYOR 7437  
AUGUST 19, 2009



ORIGINAL STAMP IN GREEN

COPYRIGHT 2009 BY:  
**LEE SURVEYING & MAPPING CO., INC.**  
 117 North Madriver Street  
 BELLEFONTAINE, OHIO 43311  
 (937) 593-7335  
 surveys@lsmcinc.us  
 KSS 00809 4844089 L-4844-3

HARRISON TOWNSHIP  
 2421.84'  
 N 85°39'26" W  
 UNION TOWNSHIP

2 WORKING DAYS  
**BEFORE YOU DIG**  
 CALL TOLL FREE **800-362-2764**  
 OHIO UTILITIES PROTECTION SERVICE.

INDEXED ON MAP  
 9597 1P