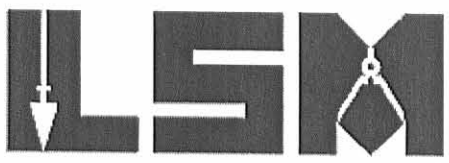


Rec'd 2-8-12 smy da

Lee Surveying and Mapping Co., Inc.

Land Surveys • Topography • Subdivisions • Construction Layout

117 N. Madriver St.
Bellefontaine OH 43311



Phone: (937) 593-7335
Fax: (937) 593-7444
surveys@lsminc.us

DAYTON POWER AND LIGHT COMPANY 3.144 ACRES

Lying in Section 30, Town 3, Range 14, Harrison Township, Logan County, Ohio.

Being out of the Dayton Power and Light Company 45.25 acre tract as deeded and described in Official Record 329, Page 713, Parcel No. 9 of the Logan County Records of Deeds and being more particularly described as follows:

Beginning on a stone found in a monument box on the southeast corner of the northeast quarter of Section 30 and on the intersection of the center-lines of Township Road 31 and County Highway 13.

THENCE, with the south line of the northeast quarter of Section 30 and the center-line of County Highway 13 (60 feet wide), N 82°-50'-44"W, a distance of 17.15 feet to a railroad spike found.

THENCE, with the northerly lines of the Steven J. Clay 1.800 acre tract and 3.326 acre tract (O.R. 1054, Pg. 787, Tract I and Tract II), the Lisa M. Renner 5.569 acre tract (O.R. 969, Pg. 294) and the Gregory R. Miller and Patricia L. Miller 7.972 acre tract (O.R. 85, Pg. 235), N 41°-12'-29"W, a distance of 1838.77 feet to a 5/8 inch iron rod found, passing a 5/8 inch iron rod set at 45.15 feet.

THENCE, with the east line of the Gregory R. Buxton 2.972 acre tract (O.R. 923, Pg. 571), N 04°-05'-16"E, a distance of 92.86 feet to a 5/8 inch iron rod set.

THENCE, with the lines of the Kathleen Ann Bow 11.235 acre tract and 8.268 acre tract (O.R. 1033, Pg. 496, Tract Two and Tract One), the following two courses:

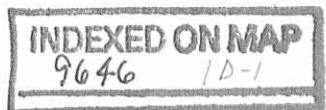
S 41°-12'-29"E, a distance of 1011.77 feet to a 5/8 inch iron rod set.

S 85°-24'-29"E, a distance of 57.38 feet to a 5/8 inch iron rod set.

THENCE, with the lines of the John P. Stout 0.88 acre tract (Vol. 372, Pg. 424, Second Tract), the following two courses:

S 41°-12'-29"E, a distance of 202.63 feet to a 5/8 inch iron rod set.

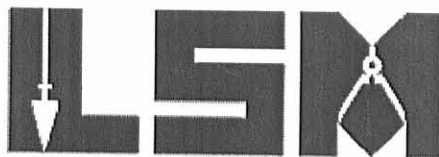
S 48°-47'-31"W, a distance of 26.00 feet to a 5/8 inch iron rod set.



Lee Surveying and Mapping Co., Inc.

Land Surveys • Topography • Subdivisions • Construction Layout

117 N. Madriver St.
Bellefontaine OH 43311



Phone: (937) 593-7335
Fax: (937) 593-7444
surveys@lsminc.us

THENCE, with the lines of the said 0.88 acre tract and the James M. McIntire 1.060 acre tract (O.R. 303, Pg. 160), S 41°-12'-29"E, a distance of 275.80 feet to a 5/8 inch iron rod found.

THENCE, with the lines of the said 1.060 acre tract, the following two courses:

With a curve to the right, having a central angle of 10°-49'-11", a radius of 763.94 feet, an arc distance of 144.26 feet, a chord bearing S 35°-37'-51"E, a distance of 144.05 feet to a 5/8 inch iron rod found.

S 41°-12'-29"E, a distance of 188.52 feet to a MAG nail set on the east line of Section 30 and the center-line of Township Road 31, passing a 5/8 inch iron rod set at 146.45 feet.

THENCE, with the east line of Section 30 and the center-line of Township Road 31 (60 feet wide), S 04°-16'-22"W, a distance of 76.58 feet to the point of beginning.

Containing 3.144 acres, of which 0.065 acre is within the highway right-of-way.

Property is subject to any and all previous easements and rights-of-way of record.

The basis for bearings is the east line of Section 30, being S 04°-16'-22"W, and all other bearings are from angles and distances measured in a field survey by Lee Surveying and Mapping Co., Inc. on February 6, 2012.

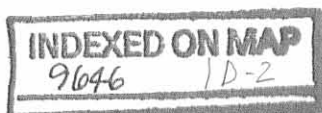


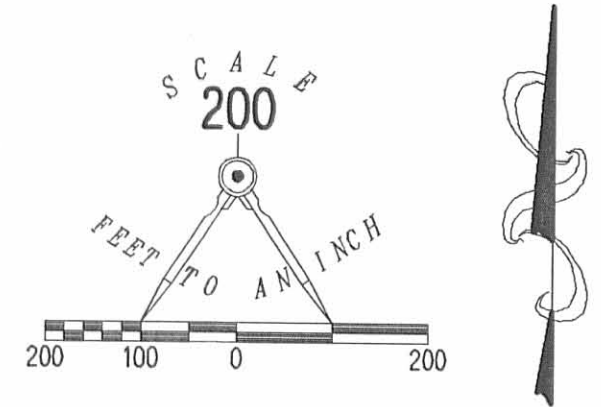
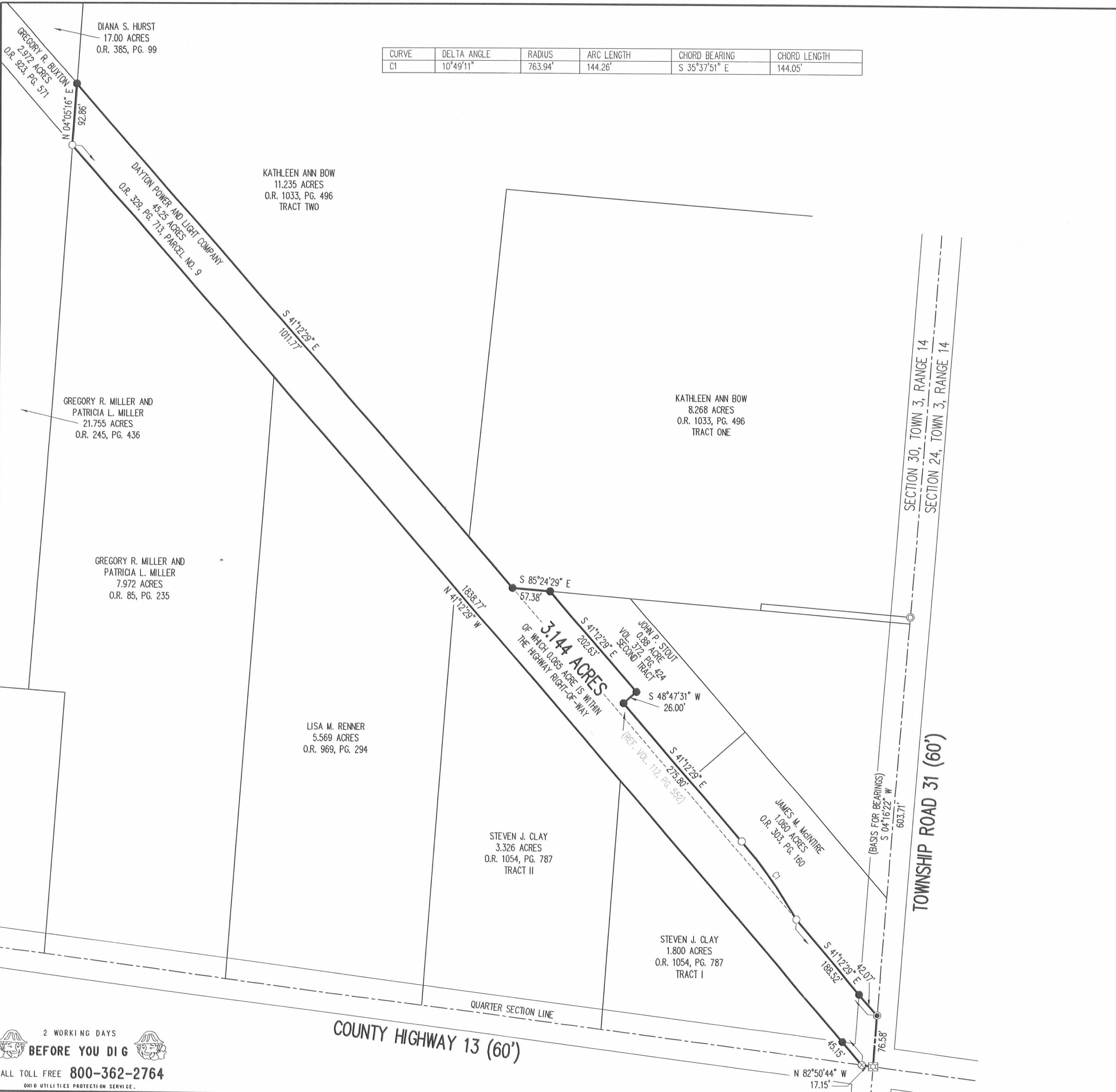
ORIGINAL STAMP IN GREEN

Description prepared by:

William K. Bruce
Professional Surveyor 7437
February 7, 2012

52660112





- LEGEND:
- ☐ STONE FOUND IN MONUMENT BOX
 - ⊗ RAILROAD SPIKE FOUND
 - MAG NAIL SET
 - ⊙ MAG NAIL FOUND
 - 5/8 INCH IRON ROD FOUND
 - 5/8 INCH IRON ROD SET WITH PLASTIC I.D. CAP STAMPED "LSM 7437"

SURVEY OF 3.144 ACRES OUT OF THE DAYTON POWER AND LIGHT COMPANY 45.25 ACRE TRACT OFFICIAL RECORD 329, PAGE 713 PARCEL NO. 9 SECTION 30, TOWN 3, RANGE 14 HARRISON TOWNSHIP LOGAN COUNTY, OHIO

SURVEYED BY:
William K. Bruce
 WILLIAM K. BRUCE
 PROFESSIONAL SURVEYOR 7437
 FEBRUARY 6, 2012



COPYRIGHT 2012 BY:
LEE SURVEYING & MAPPING CO., INC.
 117 North Madriver Street
 BELLEFONTAINE, OHIO 43311
 (937) 593-7335
 WWW.LSMINC.US
 surveys@lsminc.us
 KSS D0112 52660112 L-5266-3

2 WORKING DAYS
BEFORE YOU DIG
 CALL TOLL FREE **800-362-2764**
 OHIO UTILITIES PROTECTION SERVICE.

INDEXED ON MAP
 9646 1P