

Corperation Line Extension
Description

The following described real estate situated in the Township of McArthur,
County of Logan, State of Ohio and being a part of Virginia Military Survey No. 9904
and being more particularly described as follows:

Beginning at a R. R. Spike set at the southwest corner to Norman K. Tracy's
present 5.00 Acre tract as described in Deed Vol. 360 Page 881 (10-31-1975) and the
east line of an 8.0 feet lane in the name of Clifford E. Campbell as recorded in
Deed Vol. 351 Page 901 (3-25-1974) and in the centerline of C. H. No. 222 (Napoleon
Street), which is also the present Corperation Line to the Village of Huntsville, Ohio;


Thence with the east side of said 8.0 feet lane and Tracy's west line, N. 15° 04'
223.95 feet to an iron bar set;

Thence S. 75° 00' E. 263.59 feet to an iron bar set;

Thence S. 14° 15' W. 223.95 feet to a R. R. Spike set in the centerline of
C. H. No. 222, being also the southwest corner to a tract of 0.08 Acres belonging
to D. P. & L. Co. as recorded in Deed Vol. 230 Page 469 (7-20-1955) and in the
present Corperation Line;

Thence with the centerline of C. H. No. 222 and the present Corperation Line,
N. 75° 00' W. 264.17 feet to the place of beginning, containing 1.36 Acres, more or
less.

I hereby certify that the above description is a correct representation of a
survey of said tract as made by me on November 27, 1982.

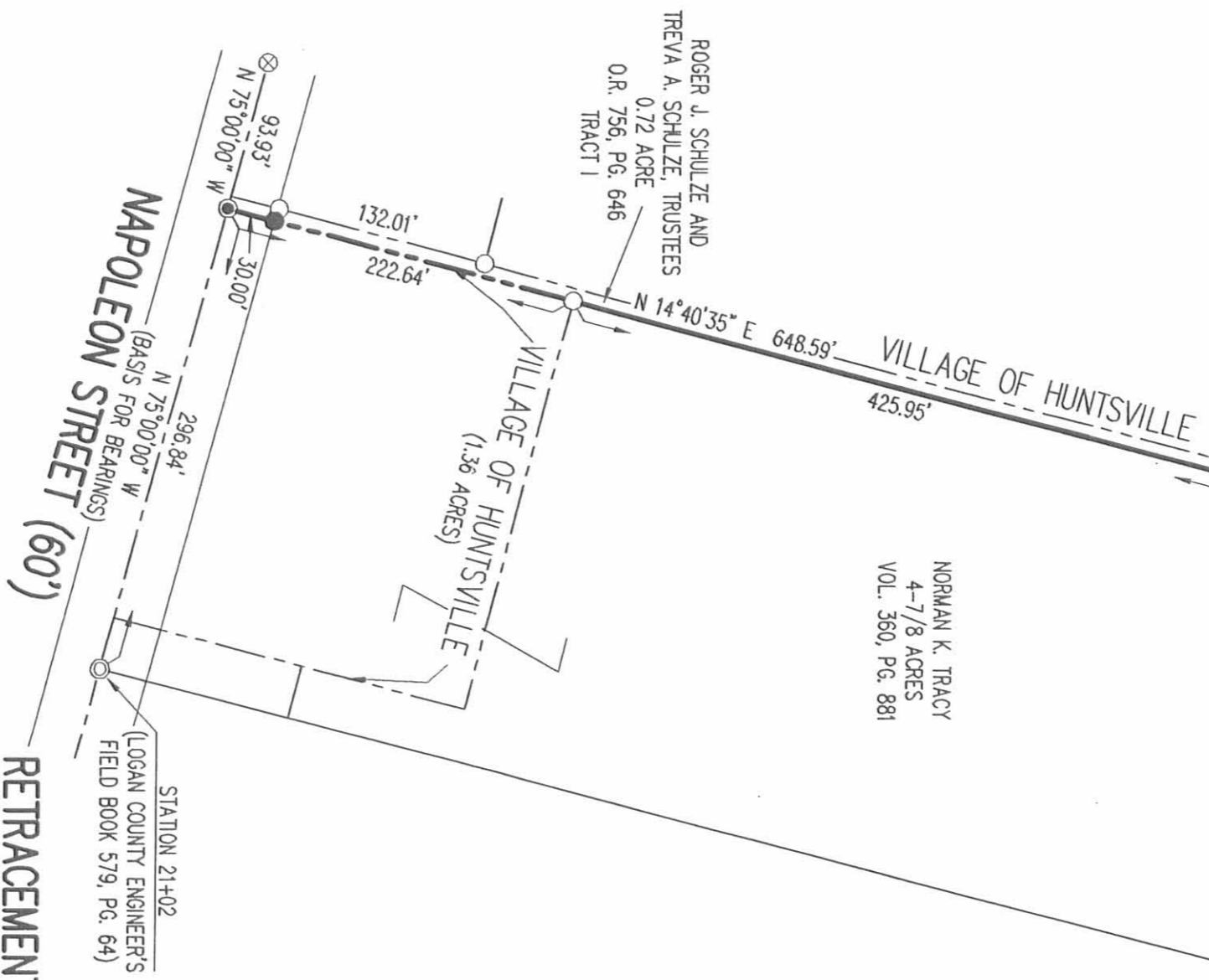
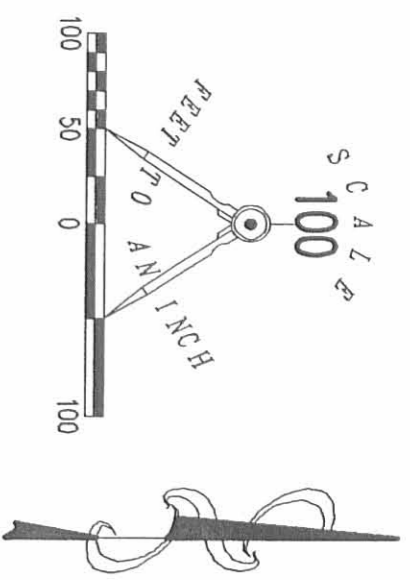

Daniel E. Gilbert, P.S.
Reg. Sur. No. 5402
1041 N. Main St.
Bellefontaine, Ohio 43311

6791 ID

INDEXED ON MAP

REV'D 8-17-09 SWM auc

- LEGEND:
- ⊙ 1-1/2 INCH IRON PIPE FOUND
 - ⊗ RAILROAD SPIKE FOUND
 - 5/8 INCH IRON ROD FOUND
 - MAG NAIL SET
 - 5/8 INCH IRON ROD SET WITH PLASTIC I.D. CAP STAMPED "LSM 7437"



RETRACEMENT SURVEY OF THE
WEST LINE OF THE
NORMAN K. TRACY
4-7/8 ACRE TRACT
VOLUME 360, PAGE 881
VIRGINIA MILITARY SURVEY 9904
VILLAGE OF HUNTSVILLE
MCARTHUR TOWNSHIP
LOGAN COUNTY, OHIO

SURVEYED BY:

William K. Bruce
WILLIAM K. BRUCE
PROFESSIONAL SURVEYOR 7437
AUGUST 11, 2009



COPYRIGHT 2009 BY:
LEE SURVEYING & MAPPING CO., INC.
117 North Modriver Street
BELLEFONTAINE, OHIO 43311
(937) 593-7335

2 WORKING DAYS
BEFORE YOU DIG
CALL TOLL FREE 800-362-2764
OHIO UTILITIES PROTECTION SERVICE

INDEXED ON MAP
6791 2P

ORIGINAL STAMP IN GREEN

KSS 00809 4835089 L-4835-3

CORPORATION LINE EXTENSION
 To
 VILLAGE OF HUNTSVILLE
 V. M. S. No. 9904
 McARTHUR TOWNSHIP
 LOGAN COUNTY, OHIO

1983

SURVEYOR'S CERTIFICATE:

I HEREBY CERTIFY THAT THIS PLAT IS A CORRECT REPRESENTATION OF SAID TRACT TO BE ANNEXED TO THE VILLAGE OF HUNTSVILLE, OHIO.

Daniel E. Gilbert
 DANIEL E. GILBERT, P.S.
 REG. SUR. No. 5401
 1041 N. MAIN ST.
 BELLEFONTAINE, OHIO 43311

DESCRIPTION CHECKED
 LOGAN CO. ENGINEER
 BY R. L. F. 10-7-83

APPROVALS:

McARTHUR TOWNSHIP TRUSTEES:

CHAIRMAN _____ DATE _____

LOGAN COUNTY ENGINEER:

Chester R. Kurtz, P.E., P.S. 5/16/83
 ENGINEER DATE

LOGAN COUNTY COMMISSIONERS:

PASSED: RESOLUTION No. 219-83 DATED: 5-16-1983
 COMMISSIONERS JOURNAL No. 34 PAGE 910-911

Donald E. Carwin
Warren W. Smith

HUNTSVILLE VILLAGE COUNCIL:

ADOPTED: ORDINANCE No. 465 THIS 23 DAY
 OF August 1983.

James Bennett Mayor
Koie Tracy Clerk
Edouard Chablain Law Director

LOGAN COUNTY AUDITOR:

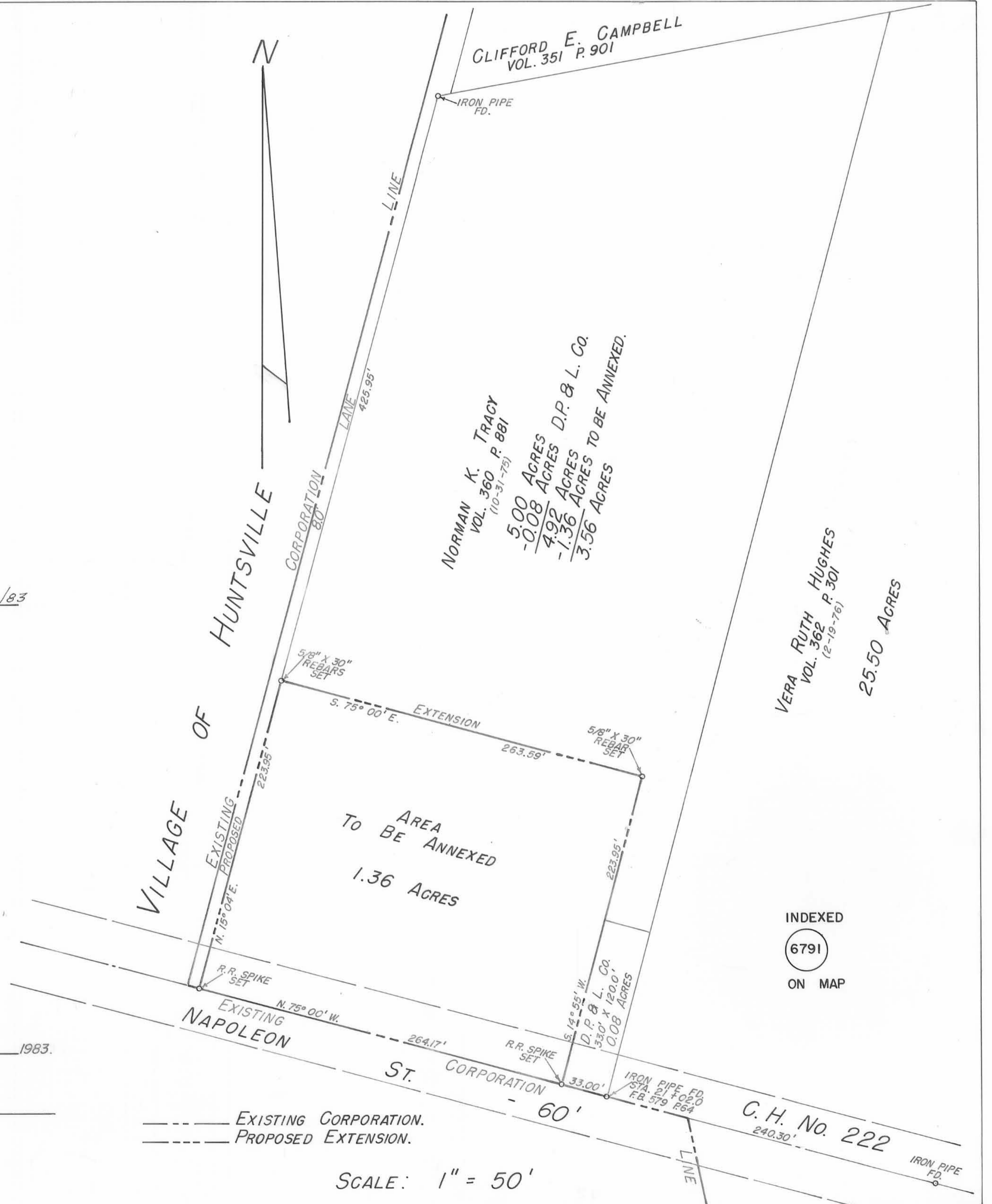
TRANSFERRED: October 7, 1983
Jean Jones
 AUDITOR

276286

LOGAN COUNTY RECORDER:

RECORDED: THIS 7th DAY OF OCTOBER 1983.
 PLAT CABINET A SLIDE 623
 AT 2:36 P. M. O'CLOCK.

Carolyn Collins
 RECORDER



INDEXED
 (6791)
 ON MAP

SCALE: 1" = 50'