



# Lee Surveying and Mapping Co.



Farm Surveys • Lot Surveys • Topography • Subdivisions • Construction Layout

143 EAST COLUMBUS AVENUE  
BELLEFONTAINE, OHIO 43311

(513) 593-7335

JEFFREY I. LEE, P.S.

## DONALD VANCE (10.049 ACRES)

Lying in V.M.S. 4948 and V.M.S. 12563, Jefferson Township, Logan County, Ohio.

Being out of the Donald E. Vance 20.0 acre tract as deeded and described in Volume 402, Page 481 of the Logan County Records of Deeds and being more particularly described as follows:

Beginning at a 1/2 inch iron rod found at center-line station 149+55.6 of County Highway 10 as noted in the Logan County Engineer's Field Book 615, Page 16.

THENCE, with the center-line of County Highway 10, N 85°-38'-06" E, a distance of 232.62 feet to a railroad spike set at the TRUE POINT OF BEGINNING.

THENCE, 60.00 feet westerly at right angles and parallel with the easterly line of the said 20.0 acre tract, N 14°-39'-22" W, a distance of 725.07 feet to a 3/4 inch iron rod set.

THENCE, S 86°-42'-00" W, a distance of 614.60 feet to a 3/4 inch iron rod set on the westerly line of the said 20.0 acre tract and the center-line of a thirty foot wide lane.

THENCE, with the easterly line of the United Presbyterian Church 108.85 acre tract (Vol. 269, Pg. 536), N 18°-22'-05" W, a distance of 582.86 feet to a 3/4 inch iron rod set at the northwest corner of the said 20.0 acre tract.

THENCE, with the north and easterly lines of the said 20.0 acre tract and the lines of the Lena Comer 185.56 acre tract (Vol. 304, Pg. 818), the following four courses:

- N 67°-55'-14" E, a distance of 483.96 feet to a 3/4 inch iron rod set.
- S 22°-24'-39" E, a distance of 243.93 feet to a 3/4 inch iron rod set.
- S 49°-02'-54" E, a distance of 331.92 feet to a 3/4 inch iron rod set.
- S 14°-39'-22" E, a distance of 985.55 feet to a railroad spike set on the center-line of County Highway 10.

THENCE, with the center-line of County Highway 10, S 85°-38'-06" W, a distance of 60.98 feet to the point of beginning.

Containing 10.049 acres of which:

- 1.362 acres are in V.M.S. 12563
- 8.687 acres are in V.M.S. 4948
- 0.042 acre is within the highway right-of-way.

The basis for bearings is based upon the center-line of County Highway 10 being S 86°-42'-00" W, and all other bearings are from angles and distances measured in a field survey by Lee Surveying and Mapping Company on May 15, 1991.



ORIGINAL STAMP IN GREEN

Description prepared by:

*Jeffrey I. Lee*  
Jeffrey I. Lee  
Professional Surveyor 6359  
May 29, 1991



L 1358

Reviewed 5-22-91

OK (C.R.)



# Lee Surveying and Mapping Co.



Farm Surveys • Lot Surveys • Topography • Subdivisions • Construction Layout

143 EAST COLUMBUS AVENUE  
BELLEFONTAINE, OHIO 43311

(513) 593-7335

JEFFREY I. LEE, P.S.

## DONALD VANCE (10.001 ACRES)

Lying in V.M.S. 4948 and V.M.S. 12563, Jefferson Township, Logan County, Ohio.

Being out of the Donald E. Vance 20.0 acre tract as deeded and described in Volume 402, Page 481 of the Logan County Records of Deeds and being more particularly described as follows:

Beginning at a 1/2 inch iron rod found at center-line station 149+55.6 of County Highway 10 as noted in the Logan County Engineer's Field Book 615, Page 16.

THENCE, with the center-line of County Highway 10, S 86°-42'-00" W, a distance of 400.51 feet to a railroad spike set at the southwest corner of the said 20.0 acre tract.

THENCE, with the west line of the said 20.0 acre tract, the center-line of a thirty foot wide lane and the east line of the United Presbyterian Church 108.85 acre tract (Vol. 269, Pg. 536), N 9°-13'-51" W, a distance of 415.10 feet to a 3/4 inch iron rod set on the line between V.M.S. 4948 and V.M.S. 12563.

THENCE, continuing with the center-line of the lane and the said 108.85 acre tract, N 18°-22'-05" W, a distance of 313.08 feet to a 3/4 inch iron rod set.

THENCE, through the said 20.0 acre tract, N 86°-42'-00" E, a distance of 614.60 feet to a 3/4 inch iron rod set.

THENCE, 60.00 feet westerly at right angles and parallel with the easterly line of the said 20.0 acre tract, S 14°-39'-22" E, a distance of 725.07 feet to a railroad spike set on the center-line of County Highway 10.

THENCE, with the center-line of County Highway 10, S 85°-38'-06" W, a distance of 232.62 feet to the point of beginning.

Containing 10.001 acres of which:

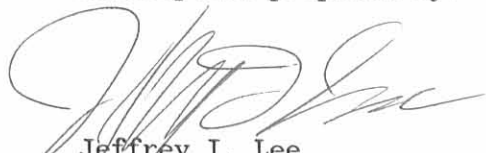
8.402 acres are in V.M.S. 12563

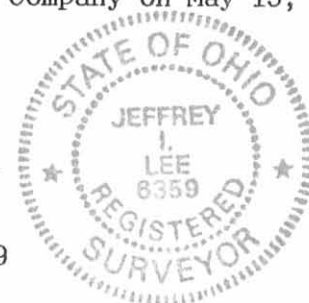
1.599 acres are in V.M.S. 4948

0.435 acre is within the highway right-of-way.

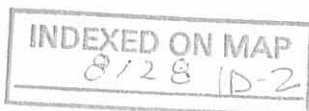
The basis for bearings is based upon the center-line of County Highway 10 being S 86°-42'-00" W, and all other bearings are from angles and distances measured in a field survey by Lee Surveying and Mapping Company on May 15, 1991.

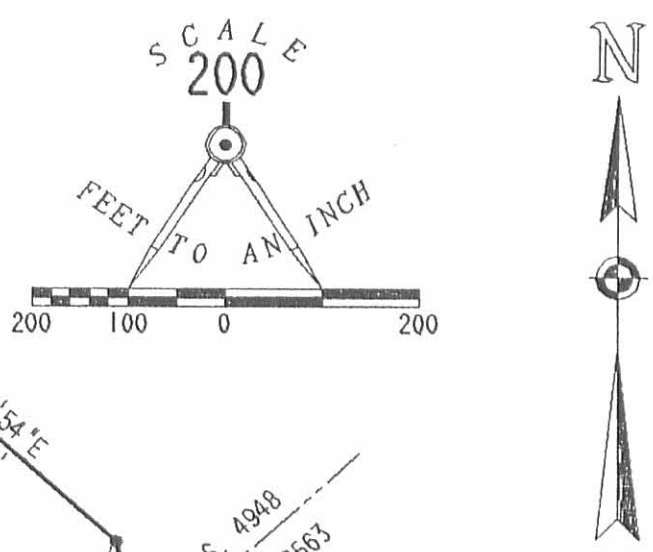
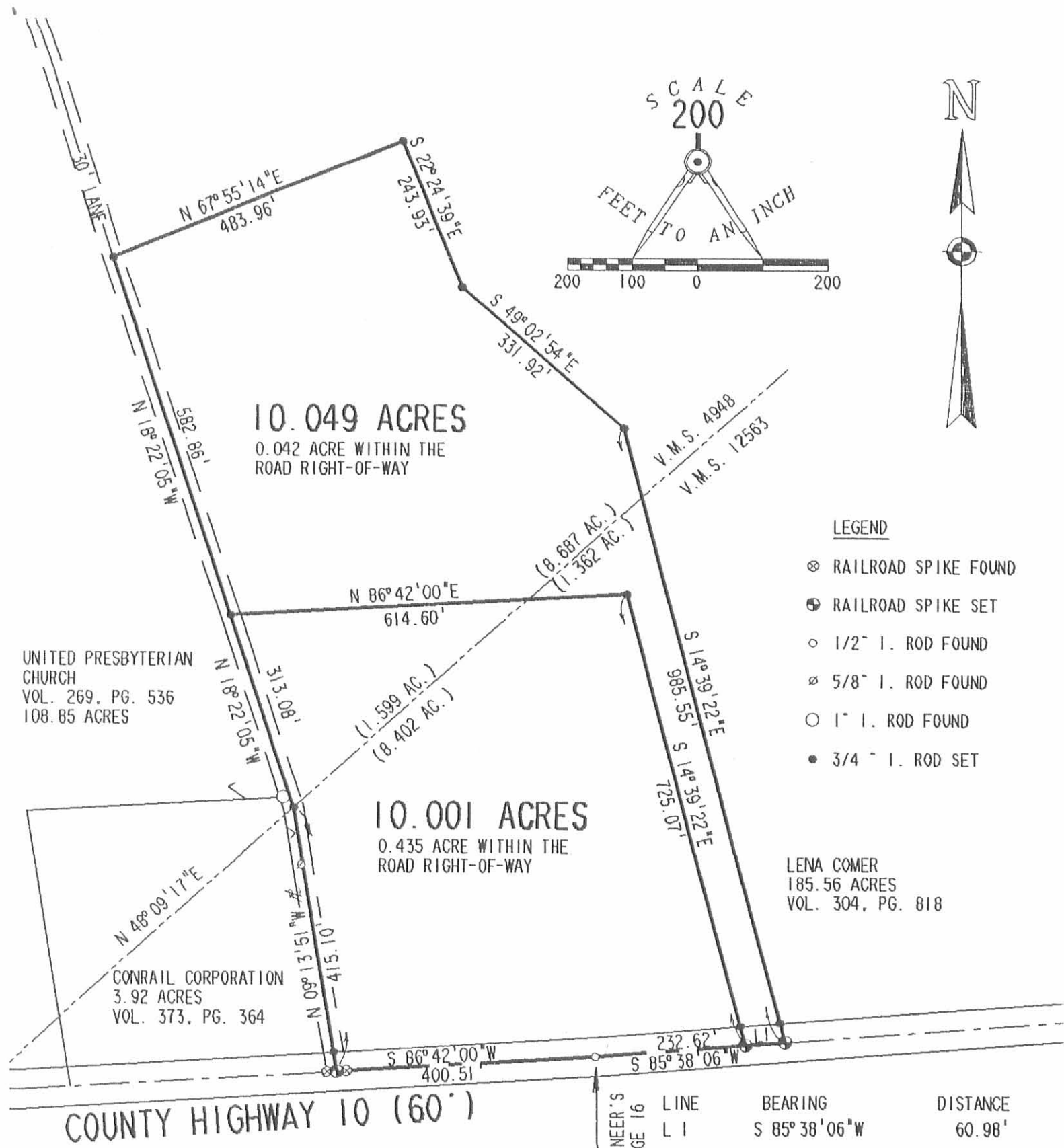
Description prepared by:

  
Jeffrey I. Lee  
Professional Surveyor 6359  
May 29, 1991



ORIGINAL STAMP IN GREEN  
L 1358





- LEGEND**
- ⊗ RAILROAD SPIKE FOUND
  - ⊕ RAILROAD SPIKE SET
  - 1/2" I. ROD FOUND
  - ⊗ 5/8" I. ROD FOUND
  - 1" I. ROD FOUND
  - 3/4" I. ROD SET

LENA COMER  
185.56 ACRES  
VOL. 304, PG. 818

UNITED PRESBYTERIAN  
CHURCH  
VOL. 269, PG. 536  
108.85 ACRES

CONRAIL CORPORATION  
3.92 ACRES  
VOL. 373, PG. 364

LINE	BEARING	DISTANCE
L 1	S 85° 38' 06" W	60.98'

STA. 149+55.6  
LOGAN COUNTY ENGINEER'S  
FIELD BK. 615, PAGE 16

REFERENCES:  
LOGAN COUNTY ENGINEER'S RECORDS  
FIELD BOOK 615, PPS. 14 - 18  
L 1401 ROAD RECORD  
L 4217

**RETRACEMENT AND SUBDIVISION OF THE  
DONALD E. VANCE 20.0 ACRE TRACT  
V.M.S. 4948 AND V.M.S. 12563  
JEFFERSON TOWNSHIP  
LOGAN COUNTY, OHIO**

SURVEYED BY:

*Jeffrey T. Lee*  
JEFFREY T. LEE  
PROFESSIONAL SURVEYOR 6359  
MAY 15, 1991

LEE SURVEYING & MAPPING CO.  
143 East Columbus Avenue  
BELLEFONTAINE, OHIO 43311  
(513) 593-7335

INDEXED ON MAP  
8/28 1P