

DONALD KING SURVEY
2.500 ACRES
February 11, 2004

The following described 2.500 acre tract of land is situated in the southeast quarter of Section 1, Town 3, Range 14, B.M.R.S., Liberty Township, Logan County, Ohio and being part of Donald E. King, Jr.'s 5.202 acre tract described in Official Record 690, page 980, said 2.500 acre tract more particularly described as follows:

Beginning for reference at a concrete resurvey monument found at the intersection of the centerline of Township Road 32 (60 feet wide) with the centerline of Township Road 190, said monument also marking the southeast corner of Section 1, Town 3, Range 14 and the southwest corner of Section 31, Town 4, Range 14;

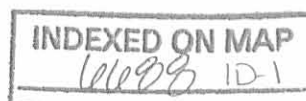
Thence North 6°00'00" East 1515.14 feet, departing from the centerline of Township Road 32 and the centerline of Township Road 190, following the west line of said Section 31 and the east line of said Section 1, to a 5/8 inch iron pin found at the southeast corner of Judith Ellen King's 12.352 acre tract described in Official Record 417, page 809;

Thence North 84°31'04" West 1114.52 feet, departing from the west line of said Section 31, entering said Section 1, and following the south line of said 12.352 acre tract, to a 3/4 inch iron pipe found at the northeast corner of The State of Ohio, Department of Natural Resources' Parcel 2, Tract II, 63.68 acres, described in Official Record 398, page 939, said iron pipe bearing North 79°33'18" West 2.10 feet from a 5/8 inch iron pin found at an angle point in the centerline of Township Road 32;

Thence North 84°39'32" West 418.23 feet, following the south line of said 12.352 acre tract, the south line of Donald E. and Mary Kathryn King's original 51.67 acre tract described in Deed Volume 275, page 403, and the north line of said 63.68 acre tract, to a 5/8 inch iron pin found at the southeast corner of James and Kelli J. Aldo's 2.532 acre tract described in Official Record 654, page 362, said 2.532 acre tract formerly part of said original 51.67 acre tract;

Thence North 3°59'06" East 192.58 feet, departing from the north line of said 63.68 acre tract, following the east line of said 2.532 acre tract and the centerline of Township Road 32, to a magnetic nail found at the southeast corner of said 5.202 acre tract, said 5.202 acre tract also formerly part of said original 51.67 acre tract, said magnetic nail marking the **place of beginning**;

Thence **North 84°39'32" West 569.59 feet**, departing from the centerline of Township Road 32, following the north line of said 2.532 acre tract and the south line of said 5.202 acre tract, passing a 5/8 inch iron pin found at 30.01 feet, to a 5/8 inch iron pin found in the east line of Larry Peters 7.93 acre tract described in Official Record 84, page 962;



Thence **North 5°59'47" East 192.35 feet**, following the east line of said 7.93 acre tract and the west line of said 5.202 acre tract, to an iron pin set;

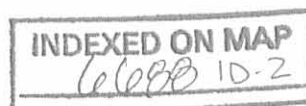
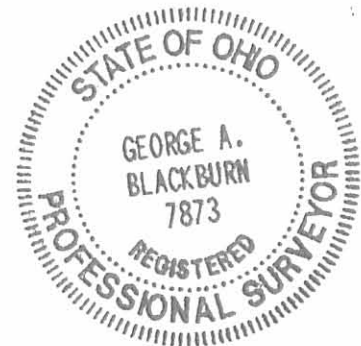
Thence **South 84°39'32" East 562.84 feet**, departing from the east line of said 7.93 acre tract and crossing said 5.202 acre tract, passing an iron pin set at 532.83 feet, to a magnetic nail set in the centerline of Township Road 32;

Thence **South 3°59'06" West 192.39 feet**, following the centerline of Township Road 32 and the east line of said 5.202 acre tract, to the **place of beginning, containing 2.500 acres**, more or less, and subject to all valid easements and restrictions of record.

Of the above-described 2.500 acre tract of land, 0.133 acre is within the road right-of-way of Township Road 32.

The above description was prepared from an actual field survey made by George A. Blackburn, Registered Surveyor #7873, during the month of February 2004. Iron pins set are 5/8 inch by 30 inch reinforcing rods with plastic caps marked "Blackburn RS #7873." Bearings indicated herein are based on the east line of Section 1 and the west line of Section 31 bearing North 6°00'00" East.

Description prepared by: George A. Blackburn 2/11/04
George A. Blackburn, R.S. #7873
12125 Green Street
Middleburg, Ohio 43336
(937) 666-5605



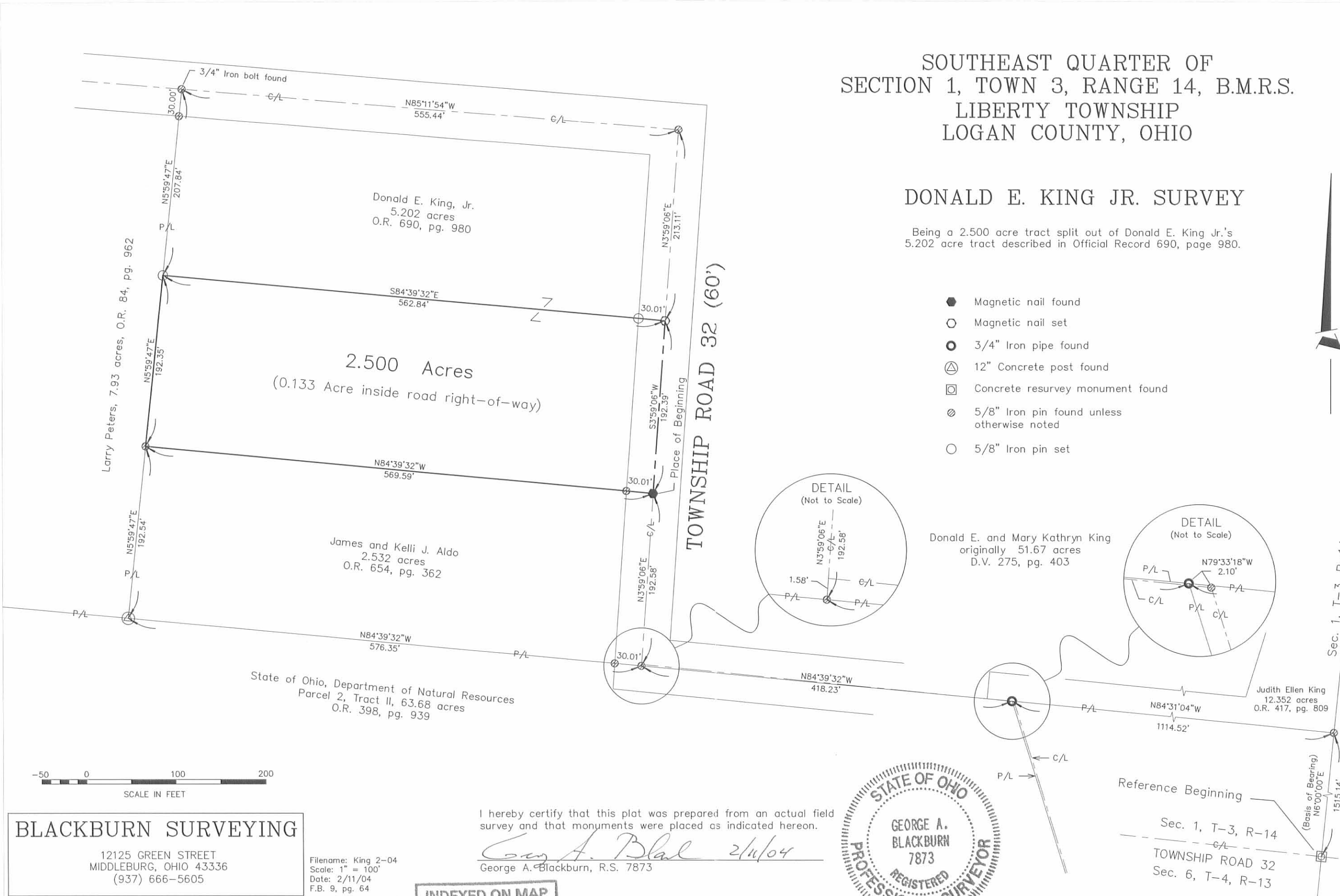
REC'D 2-20-04 SMY OK

SOUTHEAST QUARTER OF SECTION 1, TOWN 3, RANGE 14, B.M.R.S. LIBERTY TOWNSHIP LOGAN COUNTY, OHIO

DONALD E. KING JR. SURVEY

Being a 2.500 acre tract split out of Donald E. King Jr.'s 5.202 acre tract described in Official Record 690, page 980.

- Magnetic nail found
- Magnetic nail set
- 3/4" Iron pipe found
- △ 12" Concrete post found
- Concrete resurvey monument found
- ⊗ 5/8" Iron pin found unless otherwise noted
- 5/8" Iron pin set



State of Ohio, Department of Natural Resources
Parcel 2, Tract II, 63.68 acres
O.R. 398, pg. 939



BLACKBURN SURVEYING
12125 GREEN STREET
MIDDLEBURG, OHIO 43336
(937) 666-5605

Filename: King 2-04
Scale: 1" = 100'
Date: 2/11/04
F.B. 9, pg. 64

I hereby certify that this plat was prepared from an actual field survey and that monuments were placed as indicated herein.
George A. Blackburn 2/11/04
George A. Blackburn, R.S. 7873

INDEXED ON MAP
leeb IP



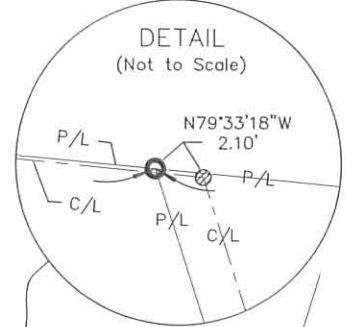
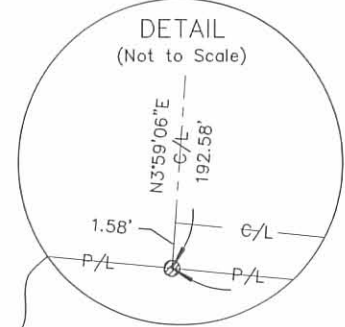
Reference Beginning
Sec. 1, T-3, R-14
TOWNSHIP ROAD 32
Sec. 6, T-4, R-13

Sec. 1, T-3, R-14

(Basis of Bearing)
N6°00'00"E
1515.14'

Judith Ellen King
12.352 acres
O.R. 417, pg. 809

Donald E. and Mary Kathryn King
originally 51.67 acres
D.V. 275, pg. 403



DONALD KING SURVEY
2.532 ACRES
April 10, 2001

The following described 2.532 acre tract of land is situated in the southeast quarter of Section 1, Town 3, Range 14, B.M.R.S., Liberty Township, Logan County, Ohio and being part of Donald E. and Mary Kathryn King's original 53.67 acre tract described in Deed Volume 275, page 403, said 2.532 acre tract more particularly described as follows:

Beginning for reference at a concrete resurvey monument found at the intersection of the centerline of Township Road 32 (60' wide) with the centerline of Township Road 190, said monument also marking the southeast corner of Section 1, Town 3, Range 14 and the southwest corner of Section 31, Town 4, Range 14;

Thence North 6°00'00" East 1515.14 feet, departing from the centerline of Township Road 32 and the centerline of Township Road 190, following the west line of said Section 31 and the east line of said Section 1, to a 5/8 inch iron pin found at the southeast corner of said original 53.67 acre tract;

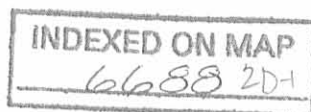
Thence North 84°31'04" West 1114.52 feet, departing from the west line of said Section 31 and entering said Section 1, following the south line of said original 53.67 acre tract, to a 3/4 inch iron pipe found at the northeast corner of The State of Ohio, Department of Natural Resources' Parcel 2, Tract II, 63.68 acres, described in Official Record 398, page 939, said iron pipe bearing North 79°33'18" West 2.10 feet from a 5/8 inch iron pin found at an angle point in the centerline of Township Road 32;

Thence North 84°39'32" West 418.23 feet, following the south line of said original 53.67 acre tract and the north line of said 63.68 acre tract, to a 5/8 inch iron pin found and bearing South 3°59'06" West 1.58 feet from a 5/8 inch iron pin found at an angle point in the centerline of Township Road 32, said iron pin found also marking the **place of beginning**;

Thence **North 84°39'32" West 576.35 feet**, following the north line of said 63.68 acre tract and the south line of said original 53.67 acre tract, passing a 5/8 inch iron pin found at 30.01 feet, to a 12 inch concrete post found at the southeast corner of Larry Peters' 7.93 acre tract described in Official Record 84, page 962;

Thence **North 5°59'47" East 192.54 feet**, departing from the north line of said 63.68 acre tract, following the east line of said 7.93 acre tract and the west line of said original 53.67 acre tract, to an iron pin set;

Thence **South 84°39'32" East 569.59 feet**, departing from the east line of said 7.93 acre tract and entering said original 53.67 acre tract, passing an iron pin set at 539.58 feet, to a magnetic nail set in the centerline of Township Road 32;



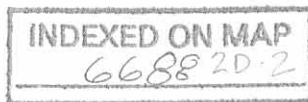
Thence **South 3°59'06" West 192.58 feet**, following the centerline of Township Road 32, passing a 5/8 inch iron pin found at an angle point in said road at 191.00 feet, departing from the centerline of said road thereafter, to the **place of beginning, containing 2.532 acres**, more or less, and subject to all valid easements and restrictions of record.

Of the above described 2.532 acre tract, 0.133 acre is within the road right of way of Township Road 32.

The above description was prepared from an actual field survey made by George A. Blackburn, Registered Surveyor #7873, during the month of April 2001. Iron pins set are 5/8 inch by 30 inch reinforcing rods with plastic caps marked "Blackburn RS #7873." Bearings indicated herein are based on the east line of Section 1, Town 3, Range 14 being North 6°00'00" East.

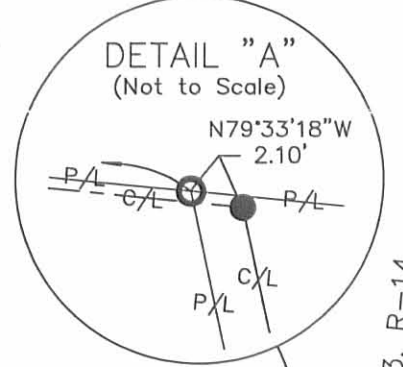
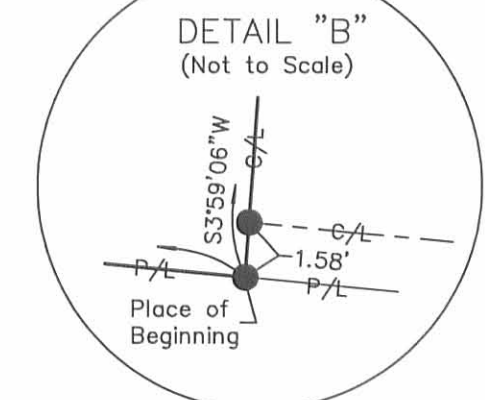
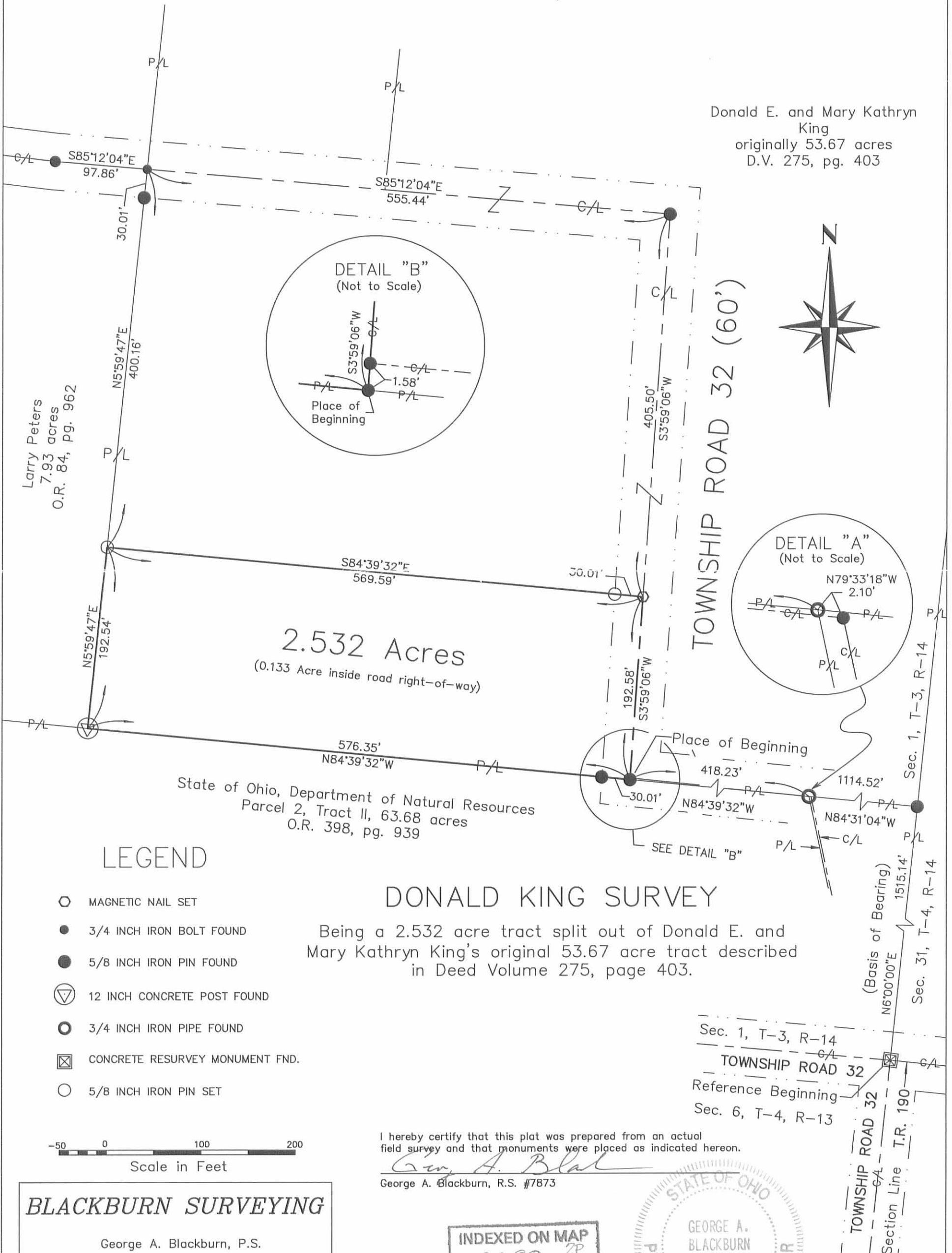
Description prepared by: George A. Blackburn

George A. Blackburn, R.S. #7873
12125 Green Street
Middleburg, Ohio 43336
(937) 666-5605



SOUTHEAST QUARTER OF
SECTION 1, TOWN 3, RANGE 14, B.M.R.S.
LIBERTY TOWNSHIP
LOGAN COUNTY, OHIO

Donald E. and Mary Kathryn
King
originally 53.67 acres
D.V. 275, pg. 403



2.532 Acres
(0.133 Acre inside road right-of-way)

State of Ohio, Department of Natural Resources
Parcel 2, Tract II, 63.68 acres
O.R. 398, pg. 939

LEGEND

- MAGNETIC NAIL SET
- 3/4 INCH IRON BOLT FOUND
- 5/8 INCH IRON PIN FOUND
- ⊖ 12 INCH CONCRETE POST FOUND
- 3/4 INCH IRON PIPE FOUND
- ⊠ CONCRETE RESURVEY MONUMENT FND.
- 5/8 INCH IRON PIN SET

DONALD KING SURVEY

Being a 2.532 acre tract split out of Donald E. and
Mary Kathryn King's original 53.67 acre tract described
in Deed Volume 275, page 403.



I hereby certify that this plat was prepared from an actual
field survey and that monuments were placed as indicated hereon.

George A. Blackburn
George A. Blackburn, R.S. #7873

BLACKBURN SURVEYING

George A. Blackburn, P.S.

12125 Green Street
Middleburg, Ohio 43336
(937) 666-5605

INDEXED ON MAP
6688 2P

Filename: KING 4-01.FLX
Scale: 1" = 100'
Date: 4/10/01
F.B. 5, pg. 63



TOWNSHIP ROAD 32 (60')

Sec. 1, T-3, R-14
TOWNSHIP ROAD 32
Reference Beginning
Sec. 6, T-4, R-13

TOWNSHIP ROAD 32
Section Line T.R. 190
(Basis of Bearing)
N6°00'00"E
1515.14'
Sec. 31, T-4, R-14
Sec. 1, T-3, R-14

**DONALD KING SURVEY
7.734 ACRES
January 25, 2001**

The following described 7.734 acre tract of land is situated in the southeast quarter of Section 1, Town 3, Range 14, B.M.R.S., Liberty Township, Logan County, Ohio and being part of Donald E. and Mary Kathryn King's original 51.67 acre tract described in Deed Volume 275, page 403, said 7.734 acre tract more particularly described as follows:

Beginning for reference at a concrete resurvey monument found at the intersection of the centerline of Township Road 32 (60' wide) with the centerline of Township Road 190, said monument also marking the southeast corner of Section 1, Town 3, Range 14 and the southwest corner of Section 31, Town 4, Range 14;

Thence North 6°00'00" East 1515.14 feet, departing from the centerline of Township Road 32 and the centerline of Township Road 190, following the west line of said Section 31 and the east line of said Section 1, to a 5/8 inch iron pin found at the southeast corner of said original 51.67 acre tract;

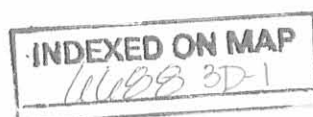
Thence North 84°31'04" West 1114.52 feet, departing from the west line of said Section 31 and entering said Section 1, following the south line of said original 51.67 acre tract, to a 3/4 inch iron pipe found at the northeast corner of The State of Ohio, Department of Natural Resources' Parcel 2, Tract II, 63.68 acres, described in Official Record 398, page 939, said iron pipe bearing North 79°33'18" West 2.10 feet from a 5/8 inch iron pin found at an angle point in the centerline of Township Road 32;

Thence North 84°39'32" West 418.23 feet, following the south line of said original 51.67 acre tract and the north line of said 63.68 acre tract, to an iron pin set and bearing South 3°59'06" West 1.58 feet from a 5/8 inch iron pin found at an angle point in the centerline of Township Road 32, said iron pin set also marking the **place of beginning**;

Thence **North 84°39'32" West 576.35 feet**, following the north line of said 63.68 acre tract and the south line of said original 51.67 acre tract, passing an iron pin set at 30.01 feet, to a 12 inch concrete post found at the southeast corner of Larry Peters' 7.93 acre tract described in Official Record 84, page 962;

Thence **North 5°59'47" East 592.70 feet**, departing from the north line of said 63.68 acre tract, following the east line of said 7.93 acre tract and the west line of said original 51.67 acre tract, passing an iron pin set at 562.69 feet, to a 3/4 inch iron bolt found in the centerline of Township Road 32;

Thence **South 85°12'04" East 555.44 feet**, following the centerline of Township Road 32 and entering said original 51.67 acre tract, to an iron pin set at a angle point in said road;



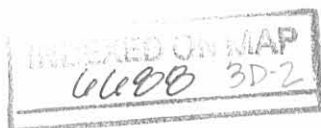
Thence **South 3°59'06" West 598.08 feet**, following the centerline of Township Road 32, passing a 5/8 inch iron pin found at an angle point in said road at 596.50 feet, departing from the centerline of said road thereafter, to the **place of beginning, containing 7.734 acres**, more or less, and subject to all valid easements and restrictions of record.

Of the above described 7.734 acre tract, 0.774 acre is within the road right of way of Township Road 32.

The above description was prepared from an actual field survey made by George A. Blackburn, Registered Surveyor #7873, during the month of January 2001. Iron pins set are 5/8 inch by 30 inch reinforcing rods with plastic caps marked "Blackburn RS #7873." Bearings indicated herein are based on the east line of Section 1, Town 3, Range 14 being North 6°00'00" East.

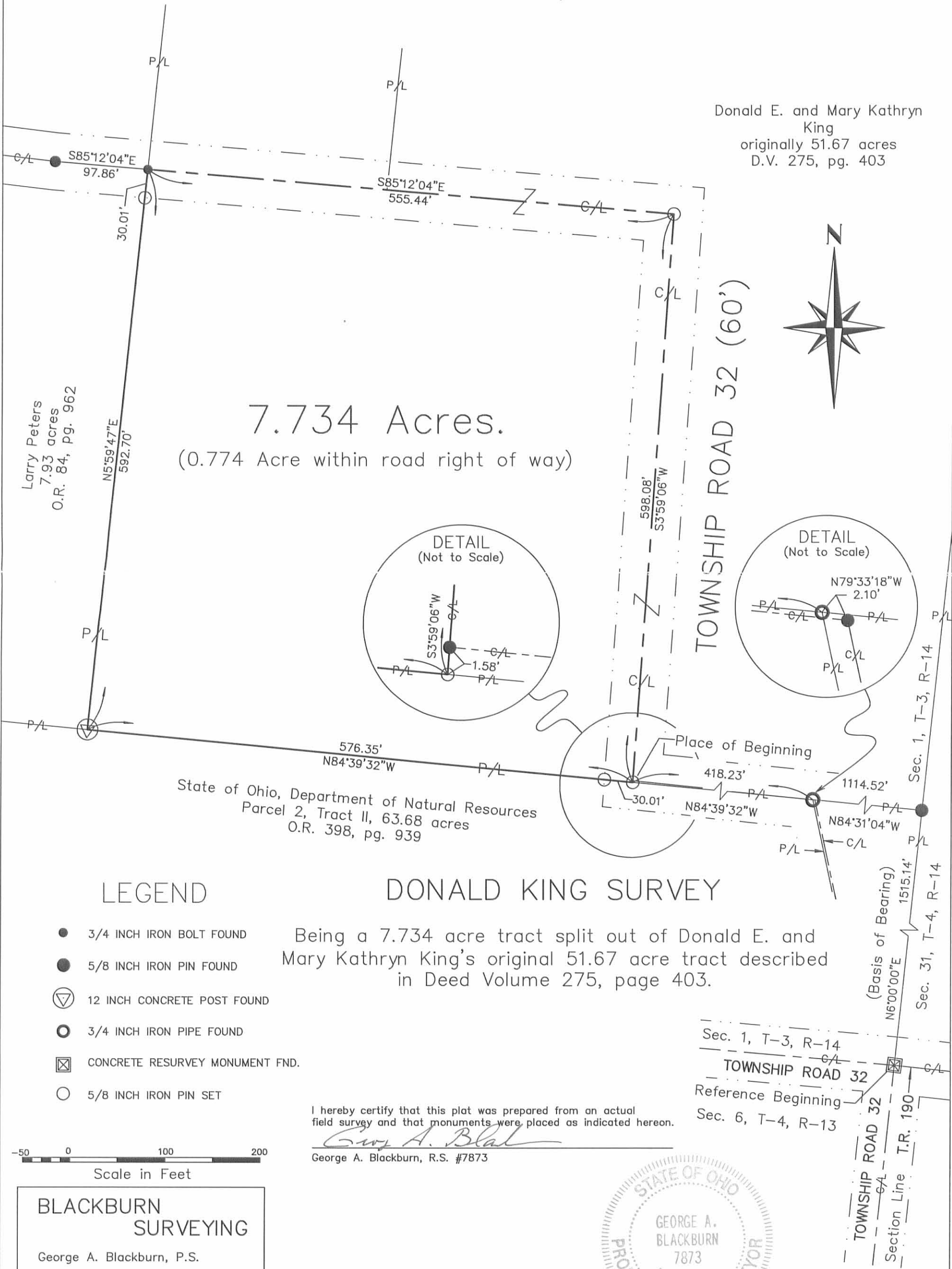
Description prepared by: *George A. Blackburn*

George A. Blackburn, R.S. #7873
12125 Green Street
Middleburg, Ohio 43336
(937) 666-5605



SOUTHEAST QUARTER OF
SECTION 1, TOWN 3, RANGE 14, B.M.R.S.
LIBERTY TOWNSHIP
LOGAN COUNTY, OHIO

Donald E. and Mary Kathryn
King
originally 51.67 acres
D.V. 275, pg. 403

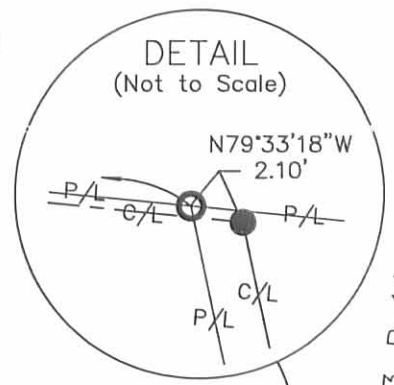
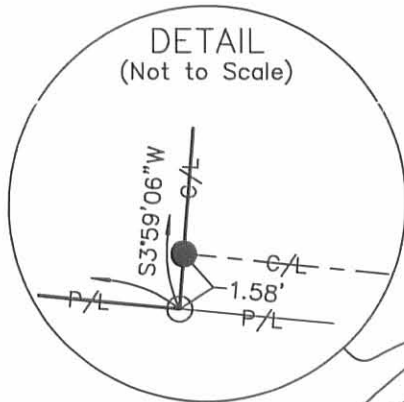


7.734 Acres.

(0.774 Acre within road right of way)

Larry Peters
7.93 acres
O.R. 84, pg. 962

State of Ohio, Department of Natural Resources
Parcel 2, Tract II, 63.68 acres
O.R. 398, pg. 939



LEGEND

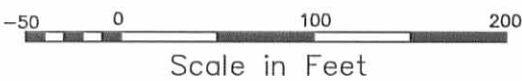
- 3/4 INCH IRON BOLT FOUND
- 5/8 INCH IRON PIN FOUND
- ⊙ 12 INCH CONCRETE POST FOUND
- 3/4 INCH IRON PIPE FOUND
- ⊠ CONCRETE RESURVEY MONUMENT FND.
- 5/8 INCH IRON PIN SET

DONALD KING SURVEY

Being a 7.734 acre tract split out of Donald E. and
Mary Kathryn King's original 51.67 acre tract described
in Deed Volume 275, page 403.

I hereby certify that this plat was prepared from an actual
field survey and that monuments were placed as indicated hereon.

George A. Blackburn
George A. Blackburn, R.S. #7873



BLACKBURN
SURVEYING

George A. Blackburn, P.S.

12125 Green Street
Middleburg, Ohio 43336
(937) 666-5605

Filename: KING 1-23-01.FLX
Scale: 1" = 100'
Date: 1/25/01
F.B. 5, pg. 63



66689 3P

FB 708

T.R. 32
LIBERTY TOWNSHIP

A= Resurvey Mon Found 3" Deep
F.B. 660 pg 68
F.B. 555 pg 12 (T.R. 30)

B= $3\frac{1}{2}$ " ϕ Bar Set 767.3 w. of Ned
Kings E. line & 407.6' N. of
Ned Kings South line Deed
Vol. 328 pg 940
Dug large hole 3' x 4' found
nothing. Set $3\frac{1}{2}$ " ϕ Bar
Azels $0^{\circ} 09.0'$ LEFT

C= Stone Found 3 to 409 + 90
F.B. 582 pg. 28

T.R. 32 R/W Staked 60' was
East side only for Logan
County Co-op power & Light

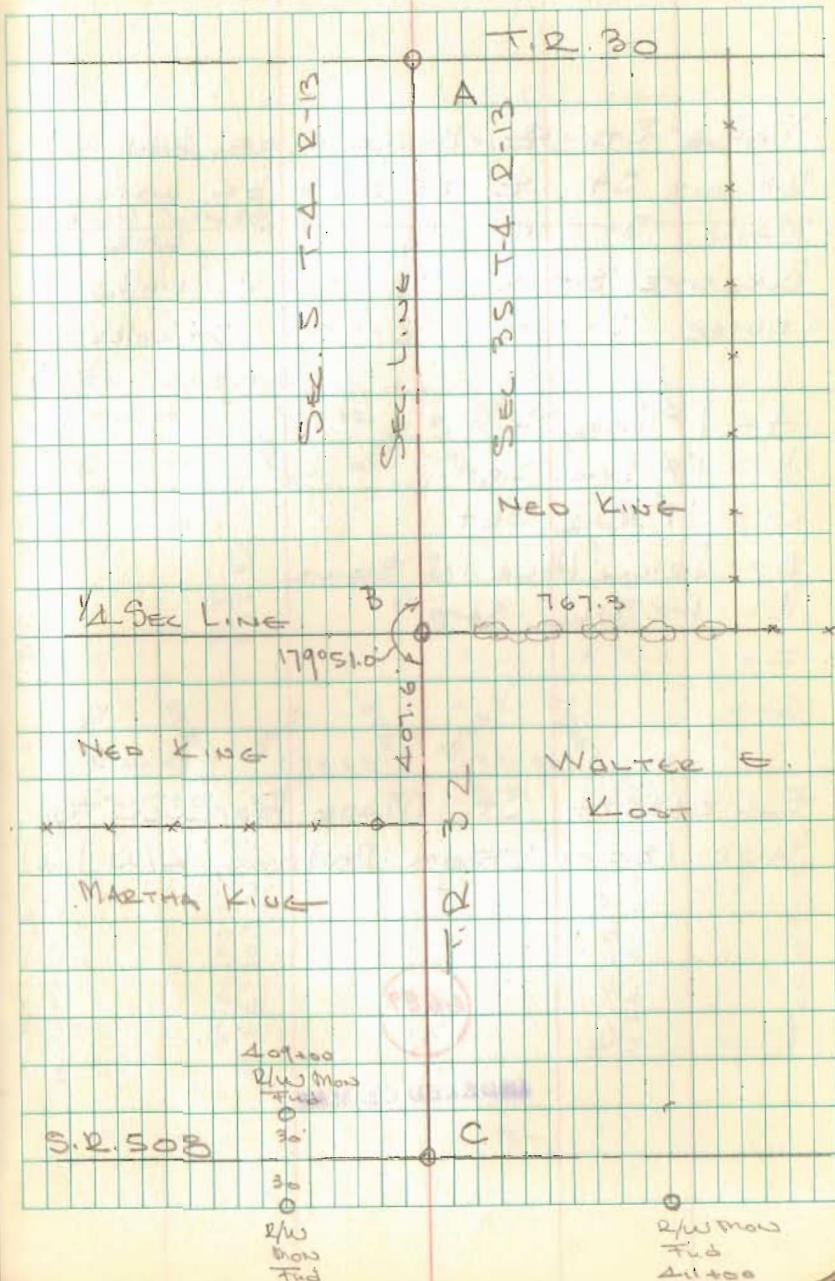
6688

INDEXED ON MAP

DODSON
NICHOLS

MAY 7, 1971

60



FB 708

T.R. No. 32
LIBERTY TWP

SEE F.B. 559, PGS. 57-61

DUG FOR ALL HUBS INDICATED IN
F.B. 559 - FOUND NONE - RESET
P.I.'S. BEGINNING AT T.R. 190
AND PROCEEDING NORTH.

6688

INDEXED ON MAP

Used \odot of
Con Post
line

x x x

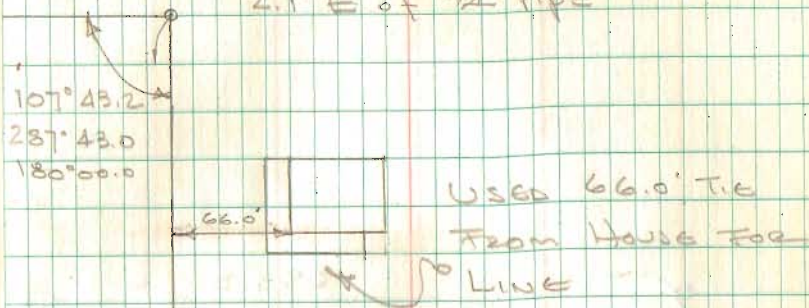
Doctow - Nichols
Dine - Pruitt

3/5/80

Hot

63

5/8" BAR SET
2.1' E of 3/2" Pipe



1595.4
R.R. spike set
on top of hill

HILL

wood
for

616.0

RESURVEY
MOD. FOUND

T.R. 190

5/8" BAR
SET

T.R.
32

FB 708

T.R. No. 32
LIBERTY Twp

653.3
1" Head Bolt
Found
2000' Rt

* Low
* Con Post

wood Con.
Post used
for line

x x x x x

Nichols
D. H.
Pavett

8/6/80

64

90°50.2
270°50.3
180°00

BARN

596.5

91°36.8
271°36.7
180°00.0

420.4

5/8" BAR
SET

107°43.1

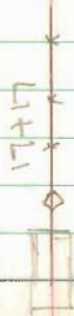
FB 708

T.R. No. 32

1 STORY
BALK
RES
RANGE

x x x x

A.R. q. Nichols
31.6 Ac.



T.R. 186

Dug large hole 3x8'
Found nothing Sto. 17+17
T.B. 358 pg. 4

Dodson-Nichols
D. 11 - Pruitt

8/4/80

T.R. 199

65

Reservoir
Mon Found



4"x8" Stone with "t" Found 8" Deep
1/2' N. of Face - Stone on line
Dodson Mon @ T.R. 199 & Stone
at T.R. 186

13.2

T.R. 32

1346.50

Stone Found

652'

Stone over Stone Found
4.7' N. & 1.5' E. of 3/4" Bore (27.16)
T.B. 559 pg. 61

575.5'

90° 42.1
270° 42.0
180° 00.3

1" Head Bolt
Found
2' 00" pt

480.67

660

R.R. 1/4" SET

T.R. 32

FB 708

TRAVERSE TIES
T.R. 32 & T.R. 186

27.15 = $3/4$ " ϕ BAR FOUND BENT
STRAIGHTENED & RESET

27.16 $3/4$ " ϕ BAR FOUND ~ HAS
BEEN USED AS CENTERLINE
OF T.R. 186 & T.R. 32

27.17 $3/4$ " ϕ BAR FOUND BENT
RESET

Nichols
D.H. Proutt

8/3/80

65

