

Received 8-19-93

OK 8-20-93. C.R



Lee Surveying and Mapping Co.



Farm Surveys • Lot Surveys • Topography • Subdivisions • Construction Layout

143 EAST COLUMBUS AVENUE
BELLEFONTAINE, OHIO 43311

(513) 593-7335

JEFFREY I. LEE, P.S.

TROYER 1.250 ACRES

Lying in Section 30, Town 5, Range 13, Liberty Township, Logan County, Ohio.

Being out of the Richard W. Troyer 4.172 acre tract as deeded and described in Official Record 75, Page 426 of the Logan County Records of Deeds and being more particularly described as follows:

Beginning at a railroad spike set on the center-line of Township Road 190. Said railroad spike is S 82°-42'-00" E, a distance of 149.08 feet from a concrete monument found at Township Road 190 center-line Station 44 + 66 (Logan County Engineer's Field Book 448, Page 50).

THENCE, with the center-line of Township Road 190, S 82°-42'-00" E, a distance of 150.00 feet to a railroad spike found at the northeast corner of the said 4.172 acre tract.

THENCE, with the east line of the said 4.172 acre tract and a line of the Emma Mae Troyer original 110.828 acre tract, S 8°-16'-05" W, a distance of 363.05 feet to a 5/8 inch iron rod set.

THENCE, N 82°-42'-00" W, a distance of 150.00 feet to a 5/8 inch iron rod set.

THENCE, N 8°-16'-05" E, a distance of 363.05 feet to the point of beginning.

Containing 1.250 acre of which 0.069 acre is within the highway right-of-way.

The basis for bearings is based upon the center-line of Township Road 190 being S 82°-42'-00" E, and all other bearings are from angles and distances measured in a field survey by Lee Surveying and Mapping Company on August 19, 1993.

Description prepared by:

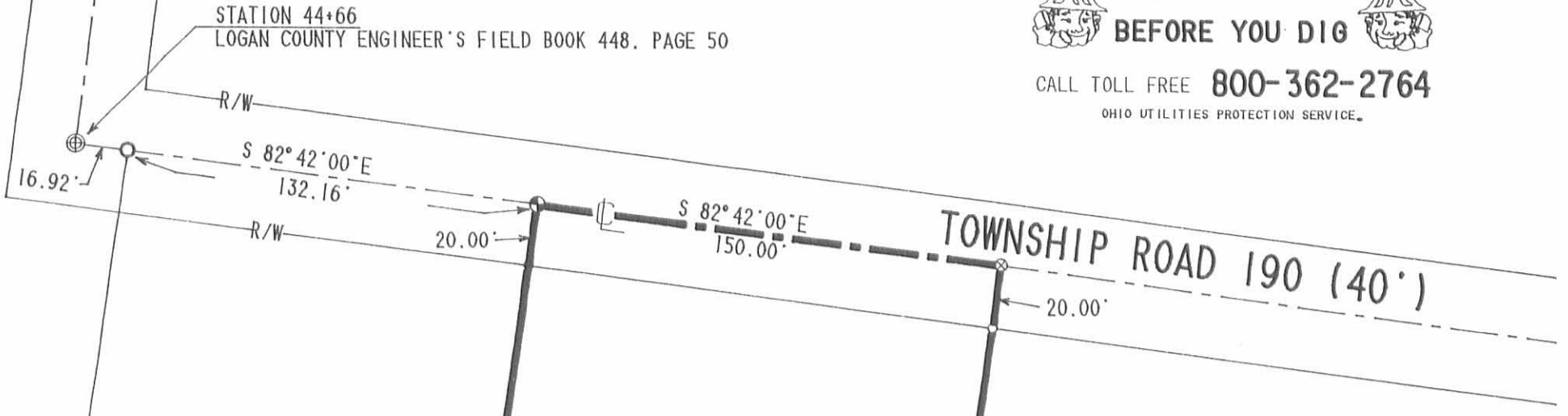


Jeffrey I. Lee
Jeffrey I. Lee
Professional Surveyor 6359
August 20, 1993

L 902

ORIGINAL STAMP IN GREEN

INDEXED ON MAP
6714 1D



1.250 ACRES
 OF WHICH 0.069 ACRE IS WITHIN
 THE ROAD RIGHT-OF-WAY



EMMA MAE TROYER
 110.828 ACRES
 O.R. 96, PG. 595

- LEGEND:**
- 5/8" IRON ROD SET
 - 5/8" IRON ROD FOUND
 - ⊕ RAILROAD SPIKE SET
 - ⊗ RAILROAD SPIKE FOUND
 - 3/4" IRON BAR FOUND
 - ⊕ CONCRETE MONUMENT FOUND

- REFERENCES:**
1. LOGAN COUNTY ENGINEER'S SURVEY RECORDS, FILE NUMBER R-6714.

RICHARD W. TROYER
 4.172 ACRES
 O.R. 75, PG. 426

**SURVEY OF 1.250 ACRES OUT OF THE
 RICHARD W. TROYER 4.172 ACRE TRACT
 OFFICIAL RECORD 75, PAGE 426
 SECTION 30, TOWN 5, RANGE 13
 LIBERTY TOWNSHIP
 LOGAN COUNTY, OHIO**

INDEXED ON MAP
 6714 1P



SURVEYED BY:

 JEFFREY I. LEE
 PROFESSIONAL SURVEYOR 6359
 AUGUST 19, 1993

LEE SURVEYING & MAPPING CO.
 143 East Columbus Avenue
 BELLEFONTAINE, OHIO 43311
 (513) 593-7335

ORIGINAL STAMP IN GREEN

PHILIP W. TROYER, ET UX. SURVEY
LIBERTY TOWNSHIP, LOGAN COUNTY, OHIO
4.172 ACRES

Situated in the northeast quarter of Section 30, Town 5, Range 13, Liberty Township, Logan County, Ohio (and being out of the 5.725 acre tract described as an exception to the 115 acre tract described in Deed Volume 395, page 477, Logan County Deed Records (and being out of 115.5 acres in the name of Trella Troyer in Deed Vol. 267, page 98) and more particularly described as follows:

Beginning at a railroad spike set on the center-line of Township Road 190, being on the north line of said 115.5 acres and lying easterly, along said center-line, a distance of 16.95 feet from a concrete monument found at an angle in said road center-line at county highway Station 44+66 (FB 448, page 50), said concrete monument also being the southeast corner of a 1.00 acre tract (Volume 326, page 880).

THENCE, with the center-line of Township Road 190, S. 82° 42' E. a distance of 282.02 feet to a railroad spike.

THENCE, S. 8° 16' 10" W. a distance of 644.40 feet to an iron rod, passing an 5/8" (+ or -) iron rod set on the south line of Township Road 190 at 20.0 feet.

THENCE, parallel to the road center-line, N. 82° 42' W. a distance of 282.02 feet to a point.

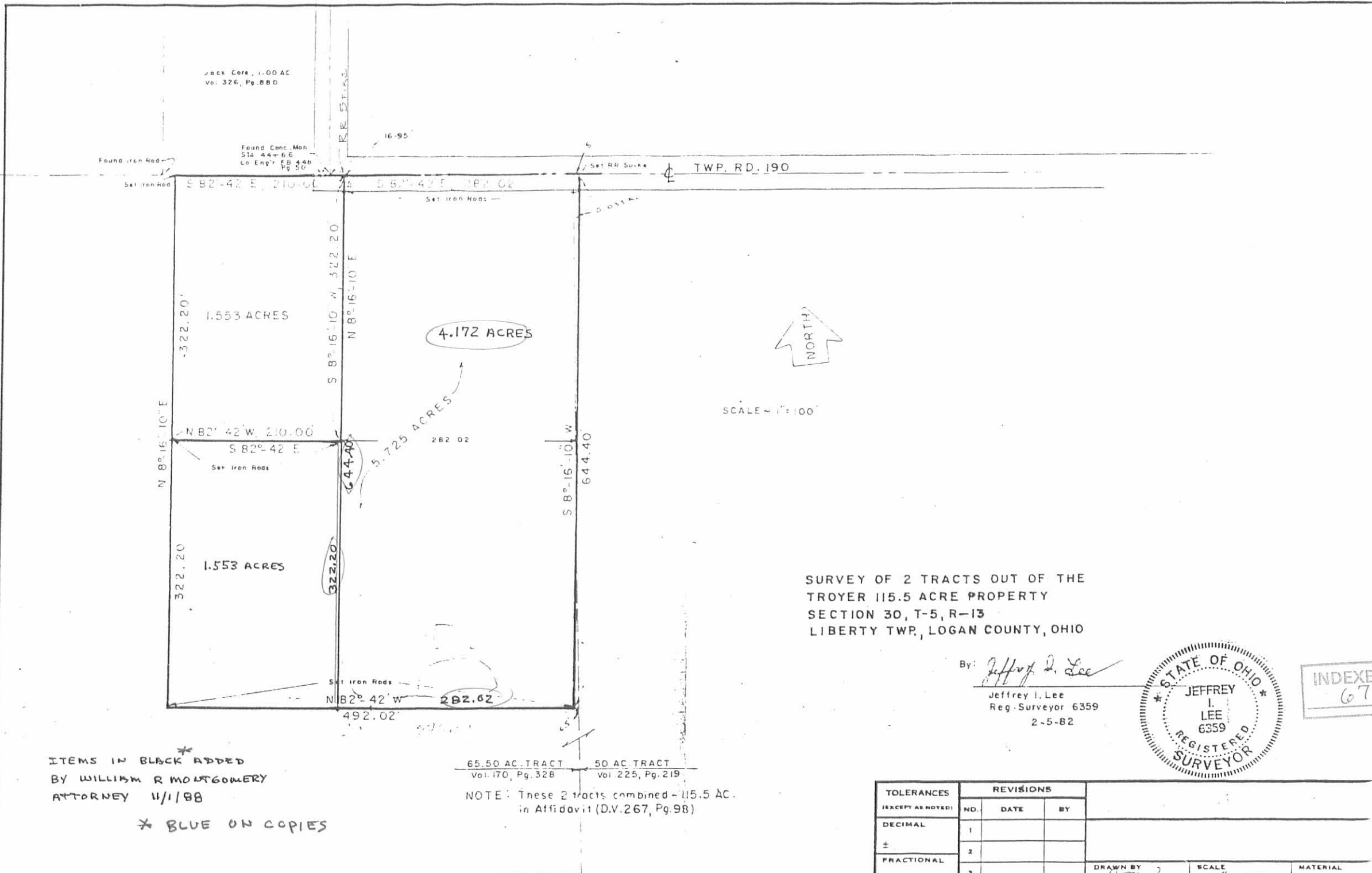
THENCE, parallel to the east line of this survey, N. 8° 16' 10" E. a distance of 644.40 feet to the place of beginning, passing an 5/8" (+ or -) iron rod at 322.20 feet, said iron rod being set at the southeast corner of the 1.553 acre tract described as an exception in the Deed recorded in Volume 395, page 477.

Containing 4.172 acres, more or less.

Prepared By: William R. Montgomery
Attorney at Law
September 16, 1988

NOTE: This description is based on existing records and, in particular, the survey and plat noted as Survey No. 6714, Logan County Engineer's Office.

INDEXED ON MAP
6714 2D



SURVEY OF 2 TRACTS OUT OF THE
TROYER 115.5 ACRE PROPERTY
SECTION 30, T-5, R-13
LIBERTY TWP., LOGAN COUNTY, OHIO

By: *Jeffrey I. Lee*
Jeffrey I. Lee
Reg. Surveyor 6359
2-5-82



INDEXED ON MAP
6714 2P

ITEMS IN BLACK ADDED
BY WILLIAM R MONTGOMERY
ATTORNEY 11/1/88
* BLUE ON COPIES

TOLERANCES (EXCEPT AS NOTED)	REVISIONS			DRAWN BY <i>(Signature)</i>	SCALE 1" = 100'	MATERIAL
	NO.	DATE	BY			
DECIMAL	1					
±	2					
FRACTIONAL	3			CHK'D	DATE	DRAWING NO.
±	4			TRACED	APP'D	1-002-3
ANGULAR						

Lee Surveying and Mapping Co.



Farm Surveys • Lot Surveys • Topography • Subdivisions • Construction Layout

855 EAST SANDUSKY AVENUE
BELLEFONTAINE, OHIO 43311

(513) 593-5780

CLAYTON M. LEE, P.S.
JEFFREY I. LEE, P.S.

TROYER 5.725 ACRE SURVEY

Lying in the northeast quarter of Section 30, T-5, R-13, Liberty Township, Logan County, Ohio.

Being out of that 115.5 acres lying in the name of Trella Troyer (Affidavit, D.V. 267, Page 98) as shown in the Logan County Records of Deeds and more particularly described as follows:

Beginning at a railroad spike set on the center-line of Township Road 190, being on the north line of said 115.5 acres and lying easterly, along said center-line, a distance of 16.95 feet from a concrete monument found at an angle in said road center-line at county highway Station 44+66 (FB 448, Page 50). Said concrete monument also being the southeast corner of a 1.00 acre tract (Volume 326, Page 880).

THENCE, with the center-line of Township Road 190, S 82°-42' E, a distance of 282.02 feet to a railroad spike.

THENCE, S 8°-16'-10" W, a distance of 644.40 feet to an iron rod, passing an iron rod set on the south line of Township Road 190 at 20.0 feet.

THENCE, parallel to the road center-line, N 82°-42' W, a distance of 492.02 feet to an iron rod.

THENCE, parallel to the east line of this survey, N 8°-16'-10" E, a distance of 322.20 feet to an iron rod.

THENCE, again parallel to the road center-line, S 82°-42' E, a distance of 210.00 feet to an iron rod.

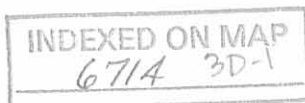
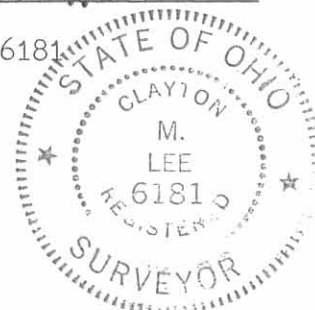
THENCE, again parallel to the east line, N 8°-16'-10" E, a distance of 322.20 feet to the point of beginning, passing an iron rod set on the south line of Township Road 190 at 302.20 feet. Containing 5.725 acres.

Last previous deed references: Volume 170, Page 328
Volume 225, Page 219
Volume 267, Page 98

Prepared by:

Clayton M. Lee

Clayton M. Lee
Reg. Surveyor No. 6181
2-11-82



Lee Surveying and Mapping Co.



Farm Surveys • Lot Surveys • Topography • Subdivisions • Construction Layout

855 EAST SANDUSKY AVENUE
BELLEFONTAINE, OHIO 43311

(513) 593-5780

CLAYTON M. LEE, P.S.
JEFFREY I. LEE, P.S.

TROYER 1.553 ACRE SURVEY

Lying in the northeast quarter of Section 30, T-5, R-13, Liberty Township, Logan County, Ohio.

Being out of that 115.5 acres lying in the name of Trella Troyer (Affidavit, D.V. 267, Page 98) as shown in the Logan County Records of Deeds and more particularly described as follows:

Beginning at a railroad spike set on the center-line of Township Road 190, being on the north line of said 115.5 acres and lying easterly, along said center-line, a distance of 16.95 feet from a concrete monument found at an angle in said road center-line at county highway Station 44+66 (FB 448, Page 50). Said concrete monument also being the southeast corner of a 1.00 acre tract (Volume 326, Page 880).

THENCE, S 8°-16'-10" W, a distance of 322.20 feet to an iron rod, passing an iron rod set on the south line of Township Road 190 at 20.0 feet.

THENCE, N 82°-42' W, a distance of 210.00 feet to an iron rod.

THENCE, parallel to the east line of this survey, N 8°-16'-10" E, a distance of 322.20 feet to an iron rod set on the north line of said grantor's 115.5 acres and also being the south line of the aforementioned 1.00 acre tract and also being the center-line extended westerly of Township Road 190.

THENCE, with said extended line and north line of said grantor's 115.5 acres, S 82°-42' E, a distance of 210.00 feet to the point of beginning, passing an iron rod set on the west line of Township Road 190 at 173.05 feet. Containing 1.553 acres.

Last previous deed references: Volume 170, Page 328
Volume 267, Page 98

Prepared by:

Clayton M. Lee

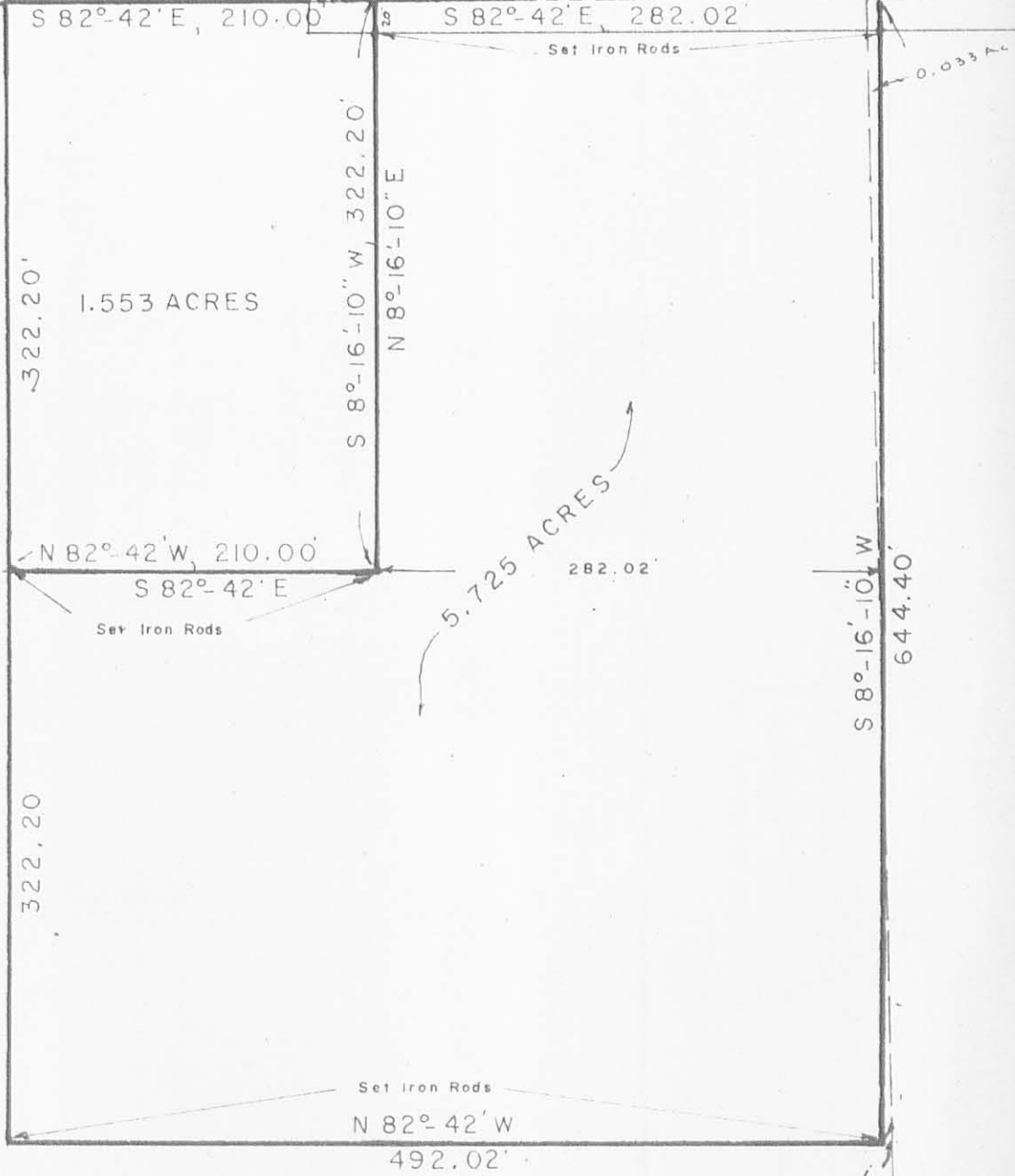
Clayton M. Lee
Reg. Surveyor No. 6181
2-11-82



Jack Core, 1.00 AC.
Vol. 326, Pg. 880

Found Conc. Mon.
STA. 44+66
Co. Eng'r. EB 448
Pg. 50

Found Iron Rod
Set Iron Rod



TWP. RD. 190



SCALE ~ 1" = 100'

SURVEY OF 2 TRACTS OUT OF THE
TROYER 115.5 ACRE PROPERTY
SECTION 30, T-5, R-13
LIBERTY TWP., LOGAN COUNTY, OHIO

6714

3P By: *Jeffrey I. Lee*
Jeffrey I. Lee
Reg. Surveyor 6359
2-5-82



65.50 AC. TRACT Vol. 170, Pg. 328
50 AC. TRACT Vol. 225, Pg. 219

NOTE: These 2 tracts combined - 115.5 AC.
in Affidavit (D.V. 267, Pg. 98)

TOLERANCES (EXCEPT AS NOTED)	REVISIONS			DRAWN BY <i>C.M.A.</i>	SCALE 1" = 100'	MATERIAL
	NO.	DATE	BY			
DECIMAL	1			CHK'D	DATE	DRAWING NO.
±	2					
FRACTIONAL	3			TRACED	APP'D	L 90.2-3
±	4					
ANGULAR	5					
±						