

LESLIE H. GEESLIN  
REGISTERED SURVEYOR NO. 5248  
P. O. BOX 274  
RUSHSVLVANIA, OHIO 43347

PHONE: (513) 468-2793

KING TO BUCKEYE PEAT

October, 1978

The following described real estate situated in the State of Ohio, County of Logan, Township of Liberty and being part of the northeast  $\frac{1}{4}$  of Section 6, Town 4, Range 13 of the Between The Miami Rivers Survey and more particularly described as follows:

Beginning at an iron bar in the north line of Section 6 that is N.  $89^{\circ} 41' 17''$  W. ~~436.65~~<sup>316.31</sup> feet from an iron bar at an angle in the centerline of Township Road 32; thence S. ~~3^{\circ} 49'~~<sup>24^{\circ} 33'</sup> W. ~~302.54~~<sup>331.16</sup> feet to an iron bar; thence S.  $38^{\circ} 38'$  W. 542.16 feet to an iron bar in the north line of Richard L. Martin's 122.00 acre tract; thence with said Martin's north line N.  $89^{\circ} 26' 23''$  W. 502.22 feet to an iron bar; thence N.  $9^{\circ} 44'$  W. 214.08 feet to an iron bar; thence N.  $52^{\circ} 00'$  W. 841.31 feet to an iron bar in the north line of Section 6, said iron bar being S.  $89^{\circ} 41' 17''$  E. 87.04 feet from a wood corner post at the northwest corner of the northeast  $\frac{1}{4}$  of Section 6; thence with said north line S.  $89^{\circ} 41' 17''$  E. ~~1560.01~~<sup>17.29</sup> feet to the place of beginning.

Containing ~~16.87~~<sup>17.29</sup> acres more or less.

The above described ~~16.87~~<sup>17.29</sup> acres being part of Donald E. King's 45.00 acre tract as described on D. B. Vol. 181 Pg. 536.

Reference is hereby made to a plat of this survey on file with the Logan County Engineer.

7305 1D-1

INDEXED ON FILE



*Leslie H. Geeslin*

LESLIE H. GEESLIN  
REGISTERED SURVEYOR NO 5248  
P. O. BOX 274  
RUSHSVLVANIA, OHIO 43347

PHONE: (513) 468-2793

SPOKER TO BUCKEYE PEAT

October, 1978

The following described real estate-situated in the State of Ohio, County of Logan, Township of Liberty and being part of the ~~southwest 1/4~~ southeast 1/4 of Section 1, Town 3, Range 14 of the Between the Miami Rivers Survey and more particularly described as follows:

Beginning at a corner post in the west line of the southeast 1/4 of Section 1 at the southwest corner of Mary Peters' 7.93 acre tract; thence with said Peters' south line and the south line of Donald E. King's 51.67 acre tract, part of which is the centerline of Township Road 32, S. 89° 42' 35" E. 1573.90 feet to an iron pipe; thence with said centerline S. 17° 05' 12" E. 1589.83 feet to an iron bar in the south line of Section 1, passing an iron pipe at 1589.47 feet; thence with the south line of Section 1 N. 89° 41' 17" W. 2083.70 feet to a corner post at the southwest corner of said 1/4 section; thence with the west line of said 1/4 section N. 1° 36' 35" E. 1516.85 feet to the place of beginning.

Containing 63.68 acres more or less.

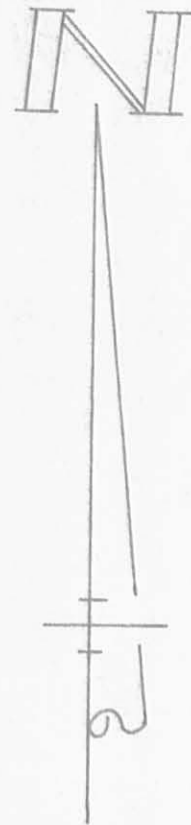
Reference is hereby made to a plat of this description on file with the Logan County Engineer.

7305 1D-2

INDEXED ON MAP

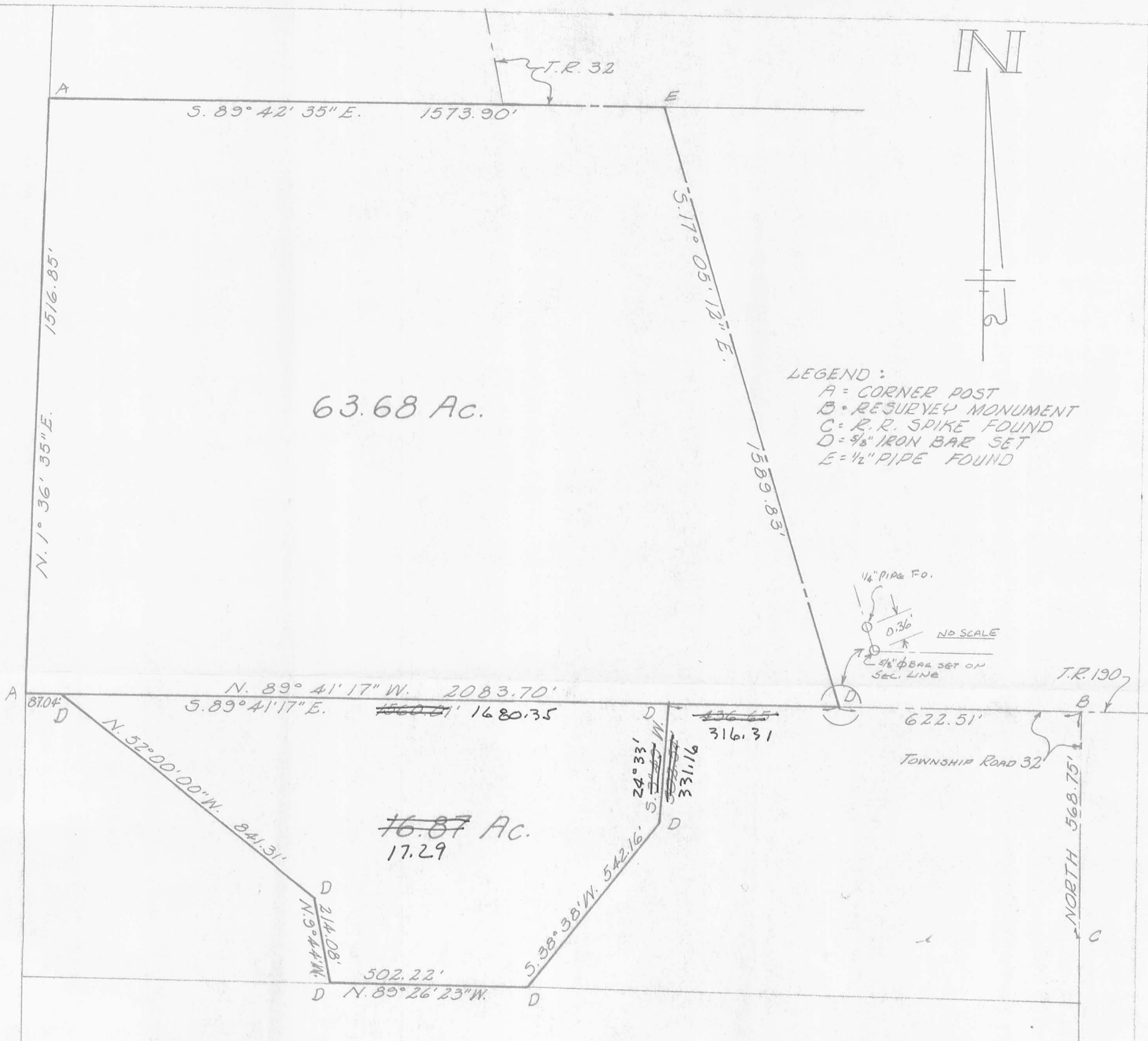


*Leslie H. Geeslin*



LEGEND:

- A = CORNER POST
- B = RESURVEY MONUMENT
- C = R.R. SPIKE FOUND
- D = 3/8" IRON BAR SET
- E = 1/2" PIPE FOUND



BUCKEYE PEAT - KING - STOKER SURVEY  
 S. 1 - T. 3 - R. 14, S. 6 - T. 4 - R. 13  
 LIBERTY TOWNSHIP  
 LOGAN COUNTY, OHIO  
 SCALE 1" = 200'  
 OCTOBER, 1978

7305 1P

INDEXED ON MAP



LESLIE H. GEESLIN  
 RUSHSVLVANIA, OHIO

LARRY PETERS  
7.93 ACRES  
O.R. 84, PG. 962

MARY KING  
51.67 ACRES  
VOL. 275, PG. 403

1 ROD 1.49" NORTH OF  
PROPERTY LINE

1573.90'  
S 89° 42' 35" E

C - W INVESTMENT COMPANY  
63.68 ACRES  
O.R. 111, PG. 431, TRACT II

93.623 ACRES TOTAL  
(BY THIS SURVEY)

SECTION 1, T-3, R-14 ( 63.680 ACRES )  
SECTION 6, T-4, R-13 ( 29.943 ACRES )

C - W INVESTMENT COMPANY  
17.29 ACRES  
O.R. 111, PG. 431, TRACT I

C - W INVESTMENT COMPANY  
17.77 ACRES  
O.R. 104, PG. 677, TRACT II

C - W INVESTMENT COMPANY  
31.88 ACRES  
O.R. 104, PG. 677, TRACT I

MARY KING  
15.02 ACRES  
VOL. 388, PG. 888

STEPHEN SCHLUMBOHM, ETAL  
112.0 ACRES  
VOL. 387, PG. 597, TRACT II

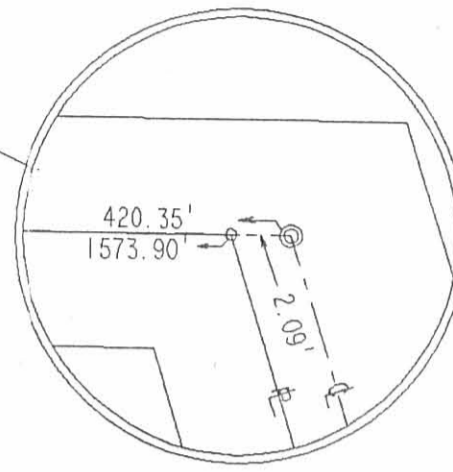
AUDLEY NICHOLL  
163.75 ACRES  
VOL. 141, PG. 251

1516.85'  
N 01° 36' 35" E

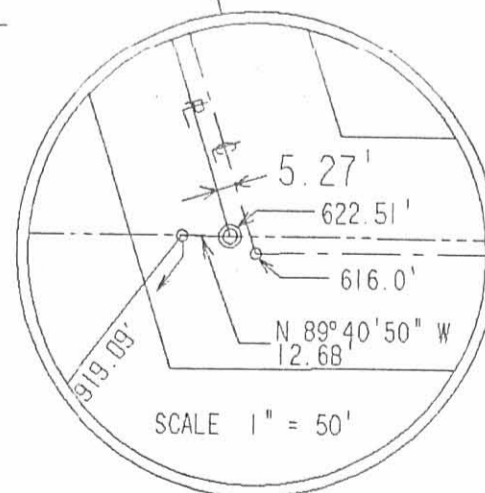
STEPHEN SCHLUMBOHM, ETAL  
49.35 ACRES  
VOL. 387, PG. 597, TRACT IV

721.79'  
N 01° 23' 02" E

1523.82'  
N 89° 26' 23" W



NOT TO SCALE

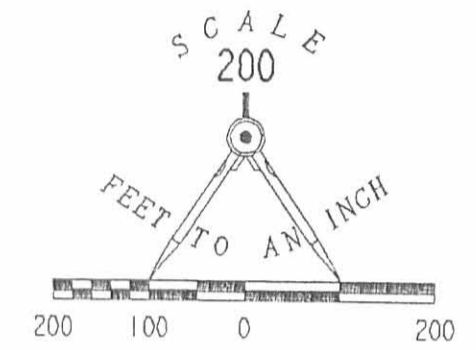


SCALE 1" = 50'

REFERENCES:

LOGAN COUNTY ENGINEER'S FILES:  
R-7305  
R-7408  
R-6013

LOGAN COUNTY ENGINEER'S FIELD BOOKS:  
VOL. 559, PP. 57 - 61  
VOL. 448, PG. 11  
VOL. 660, PG. 57  
VOL. 708, PP. 63 - 64



LEGEND

- ⊙ 1" PIPE FOUND
- 5/8" I. ROD FOUND
- WOOD CORNER POST FOUND
- ⊕ RESURVEY MONUMENT FOUND
- ⊗ RAILROAD SPIKE FOUND ON CENTER-LINE
- PROPERTY LINE
- CENTER-LINE OF ROAD

RETRACEMENT SURVEY OF 93.623 ACRES FOR  
C - W INVESTMENT COMPANY  
O.R. 140, PG. 677 AND O.R. 111, PG. 431  
SECTION 1, TOWN 3, RANGE 14 AND  
SECTION 6, TOWN 4, RANGE 13  
LIBERTY TOWNSHIP  
LOGAN COUNTY, OHIO



SURVEYED BY:

*Jeffrey A. Lee*  
JEFFREY A. LEE  
PROFESSIONAL SURVEYOR 6359  
OCTOBER 1990

INDEXED ON MAP  
7305 2P

LEE SURVEYING & MAPPING CO.  
143 East Columbus Avenue  
BELLEFONTAINE, OHIO 43311  
(513) 593-7335