

MANGETTE SURVEY

MC ARTHUR TOWNSHIP

V.M.S. 10307

November 12, 1956

The following described real estate situated in Mc Arthur Township, Logan County, Ohio and being part of Virginia Military Survey 10307 and more particularly described as follows:

Beginning at a stone in the center of County Highway No. 39 at the northwest corner of Leland Phillips' 111.82 acre tract, said stone being Sta. 13 + 42 as shown on page 21 of the Logan County Engineers field book No. 358; thence with the center line of said C. H. No. 39 N. $11^{\circ}-30'$ E. 912.2 feet to an iron pin; thence N. $89^{\circ}-24'$ E. 506.2 feet to an iron pin in the west, line of the C. & L. E. Traction Co. right-of-way as shown on Logan County Engineers Plan H-4, sheet 26; thence with said west right-of-way line S. $23^{\circ}-24'$ E. 674.4 feet to a post; thence S. $1^{\circ}-54'$ E. 150.2 feet to an iron pin in the north line of said Phillips' 111.82 acre tract, said iron pin being S. $82^{\circ}-16'$ W. 57.2 feet from the northeast corner of said 111.82 acre tract; thence with the north line of said 111.82 acre tract S. $82^{\circ}-16'$ W. 969.6 feet to the place of beginning.

Containing 14.50 acres more or less.

Also the following described real estate situated in Mc Arthur Township, Logan County, Ohio and being part of Virginia Military Survey 10307 and more particularly described as follows:

Commencing at a stone in the center of County Highway No. 39 at the northwest corner of Leland Phillips' 111.82 acre tract, said stone being Sta. 13 + 42 as shown on page 21 of the Logan County Engineers field book No. 358; thence with the north line of said Phillips' tract N. $82^{\circ}-16'$ E. 969.6 feet to an iron pin; thence N. $1^{\circ}-54'$ E. 368.5 feet to a stake in the east line of the C. & L. E. Traction Co. right-of-way, said stake being a corner of Allen Anstine's 135.48 acre tract and also being the beginning point of this description;

3658 10-1

Page 2 of 2

MANGETTE SURVEY - continued

thence with said east right-of-way line N. $23^{\circ}-24'$ E 683.8 feet to an iron pin in south line of Allen Anstine's 180.78 acre tract; thence with the south line of said tract, S. $84^{\circ}-56'$ E. 252.5 feet to a stake, said stake being a corner of Allen Anstine's 135.48 acre tract; thence S. $1^{\circ}-54'$ E. 605.6 feet to the place of beginning.

Containing 1.74 acres more or less.

The above described tract being that part of Charles L. Mangette's 18.34 acre tract laying east of the C. & L. E. Traction Co. right-of-way.

3658 1D-2

INDEXED ON MAP

DEED 4-23-08 SMY OK

Lee Surveying and Mapping Co., Inc.

Land Surveys • Topography • Subdivisions • Construction Layout

117 N. Madriver St.
Bellefontaine OH 43311



Phone: (937) 593-7335
Fax: (937) 593-7444

PHILLIPS 2.761 ACRES

Lying in Virginia Military Survey 10307, McArthur Township, Logan County, Ohio.

Being out of the Doris R. Phillips 14.50 acre tract as deeded and described in Volume 348, Page 369, Tract II of the Logan County Records of Deeds and being more particularly described as follows:

Commencing on a 1/2 inch iron rod found on the center-line of County Highway 39 at Station 31+00 (Logan County Engineer's Field Book 358, Page 22).

THENCE, with the center-line of County Highway 39 (50 feet wide), the following two courses:

S 10°-00'-00"W, a distance of 776.95 feet to a 3/4 inch iron rod found at Station 23+23 (Logan County Engineer's Field Book 358, Page 21).

S 11°-30'-13"W, a distance of 68.85 feet to a 5/8 inch iron rod found at the TRUE POINT OF BEGINNING.

THENCE, with the south line of the Beverly A. McDonald 2.49 acre tract (Vol. 390, Pg. 411), N 89°-24'-00"E, a distance of 506.65 feet to a 5/8 inch iron rod set, passing a 5/8 inch iron rod found at 25.57 feet.

THENCE, with the west line of the State of Ohio (Former C. & L.E. Railroad), S 23°-23'-54"E, a distance of 233.18 feet to a point in Cherokee-Mans Run.

THENCE, N 89°-40'-49"W, a distance of 640.98 feet to a MAG spike set on the center-line of County Highway 39, passing 5/8 inch iron rods set at 35.00 feet and 615.50 feet.

THENCE, with the center-line of County Highway 39, N 11°-30'-13"E, a distance of 209.33 feet to the point of beginning.

Containing 2.761 acres, of which 0.120 acre is within the highway right-of-way.

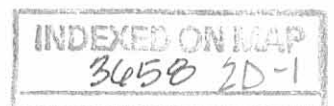
The basis for bearings is the center-line of County Highway 39 between Stations 31+00 and 23+23, being S 10°-00'-00"W, and all other bearings are from angles and distances measured in a field survey by Lee Surveying and Mapping Co., Inc. on April 21, 2008.



Description prepared by:

William K. Bruce
Professional Surveyor 7437
April 22, 2008

3150038



REC'D 4-23-08 SUMON

Lee Surveying and Mapping Co., Inc.

Land Surveys • Topography • Subdivisions • Construction Layout

117 N. Madriver St.
Bellefontaine OH 43311



Phone: (937) 593-7335
Fax: (937) 593-7444

PHILLIPS 3.794 ACRES

Lying in Virginia Military Survey 10307, McArthur Township, Logan County, Ohio.

Being out of the Doris R. Phillips 14.50 acre tract as deeded and described in Volume 348, Page 369, Tract II of the Logan County Records of Deeds and being more particularly described as follows:

Commencing on a 1/2 inch iron rod found on the center-line of County Highway 39 at Station 31+00 (Logan County Engineer's Field Book 358, Page 22).

THENCE, with the center-line of County Highway 39 (50 feet wide), the following two courses:

S 10°-00'-00"W, a distance of 776.95 feet to a 3/4 inch iron rod found at Station 23+23 (Logan County Engineer's Field Book 358, Page 21).

S 11°-30'-13"W, a distance of 278.18 feet to a MAG spike set at the TRUE POINT OF BEGINNING, passing a 5/8 inch iron rod found at 68.85 feet.

THENCE, S 89°-40'-49"E, a distance of 640.98 feet to a point in Cherokee-Mans Run, passing 5/8 inch iron rods set at 25.48 feet and 605.98 feet.

THENCE, with the west line of the State of Ohio (Former C. & L.E. Railroad), S 23°-23'-54"E, a distance of 233.18 feet to a point in Cherokee-Mans Run.

THENCE, S 87°-42'-28"W, a distance of 784.87 feet to a MAG spike set on the center-line of County Highway 39, passing 5/8 inch iron rods set at 35.00 feet and 759.13 feet.

THENCE, with the center-line of County Highway 39, N 11°-30'-13"E, a distance of 254.08 feet to the point of beginning.

Containing 3.794 acres, of which 0.145 acre is within the highway right-of-way.

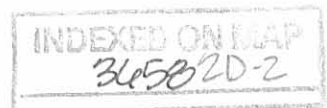
The basis for bearings is the center-line of County Highway 39 between Stations 31+00 and 23+23, being S 10°-00'-00"W, and all other bearings are from angles and distances measured in a field survey by Lee Surveying and Mapping Co., Inc. on April 21, 2008.



Description prepared by:

William K. Bruce
Professional Surveyor 7437
April 22, 2008

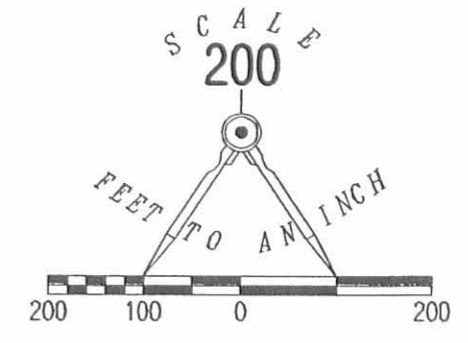
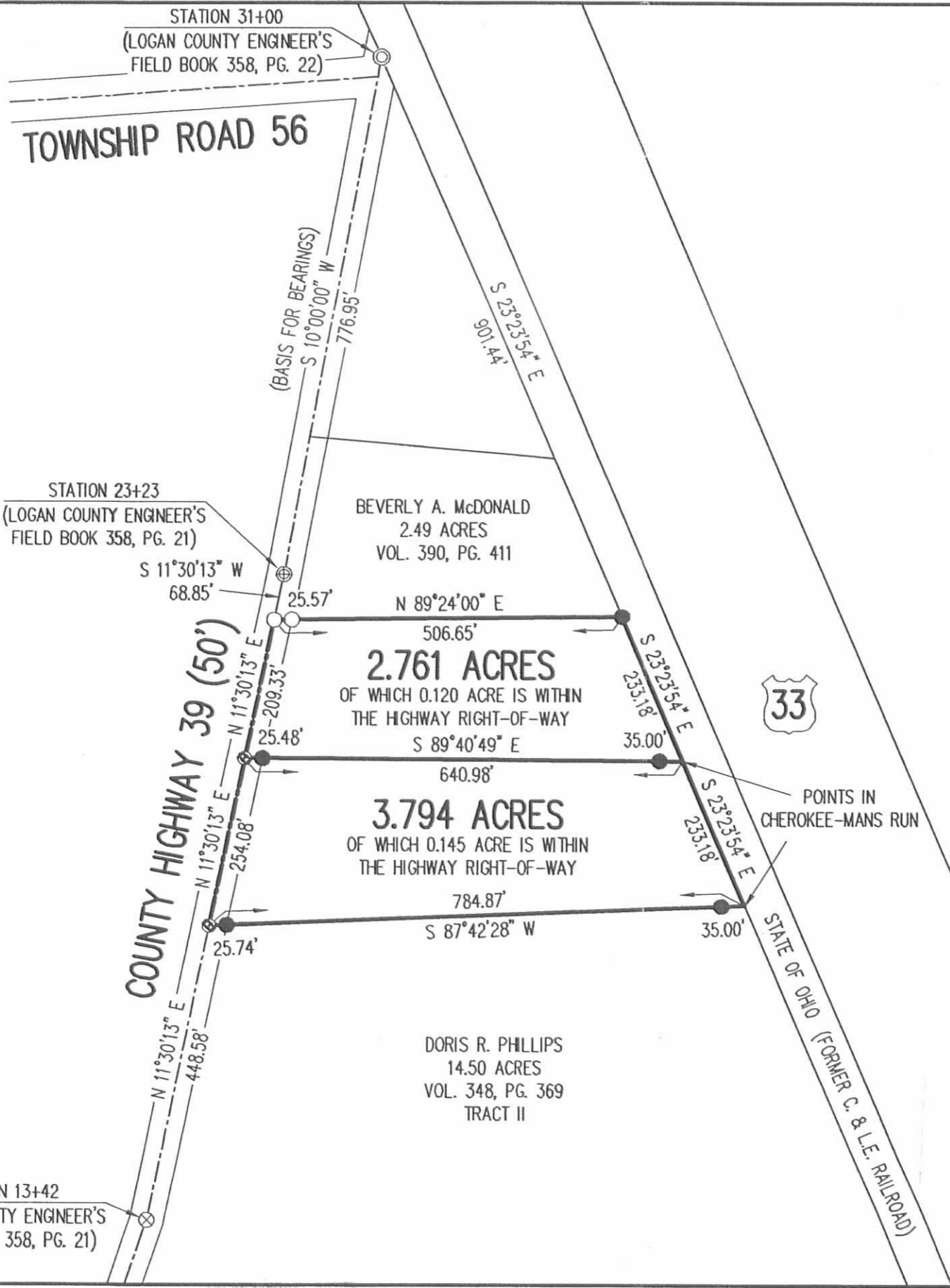
3150038



REC'D 4-23-08. SMY OK

LEGEND:

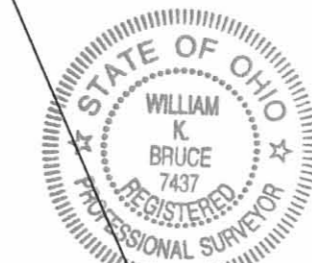
- ⊙ 1/2 INCH IRON ROD FOUND
- ⊕ 3/4 INCH IRON ROD FOUND
- 5/8 INCH IRON ROD FOUND
- 5/8 INCH IRON ROD SET
- ⊛ MAG SPIKE SET
- ⊗ RAILROAD SPIKE FOUND



**SURVEY OF TWO TRACTS OUT OF THE
DORIS R. PHILLIPS
14.50 ACRE TRACT
VOLUME 348, PAGE 369, TRACT II
VIRGINIA MILITARY SURVEY 10307
McARTHUR TOWNSHIP
LOGAN COUNTY, OHIO**

SURVEYED BY:

William K. Bruce
WILLIAM K. BRUCE
PROFESSIONAL SURVEYOR 7437
APRIL 21, 2008



ORIGINAL STAMP IN GREEN

COPYRIGHT 2008 BY:
LEE SURVEYING & MAPPING CO., INC.
117 North Madriver Street
BELLEFONTAINE, OHIO 43311
(937) 593-7335
surveys@lsminc.us
KSS D0408 3150038 L-3150-3

2 WORKING DAYS
BEFORE YOU DIG
CALL TOLL FREE **800-362-2764**
OHIO UTILITIES PROTECTION SERVICE.

STATION 13+42
(LOGAN COUNTY ENGINEER'S
FIELD BOOK 358, PG. 21)

INDEXED ON MAP
3658 2P

REC'D 7-30-10 SWM OK

Lee Surveying and Mapping Co., Inc.

Land Surveys • Topography • Subdivisions • Construction Layout

117 N. Madriver St.
Bellefontaine OH 43311



Phone: (937) 593-7335
Fax: (937) 593-7444

SHELLENBARGER 2.187 ACRES

Lying in Virginia Military Survey 10307, McArthur Township, Logan County, Ohio.

Being out of the Arthur V. Shellenbarger and Miriam M. Shellenbarger 3.794 acre tract as deeded and described in Official Record 962, Page 134 of the Logan County Records of Deeds and being more particularly described as follows:

Commencing on a 1/2 inch iron rod found on the center-line of County Highway 39 at Station 31+00 (Logan County Engineer's Field Book 358, Page 22).

THENCE, with the center-line of County Highway 39 (50 feet wide), the following two courses:

S 10°-00'-00"W, a distance of 776.95 feet to a 3/4 inch iron rod found at Station 23+23 (Logan County Engineer's Field Book 358, Page 21).

S 11°-30'-13"W, a distance of 278.18 feet to a MAG spike found at the TRUE POINT OF BEGINNING.

THENCE, with the south line of the Arthur V. Shellenbarger and Miriam M. Shellenbarger 2.761 acre tract (O.R. 972, Pg. 72), S 89°-40'-49"E, a distance of 394.07 feet to a 5/8 inch iron rod set, passing a 5/8 inch iron rod found at 25.48 feet.

THENCE, S 10°-12'-25"W, a distance of 234.34 feet to a 5/8 inch iron rod set.

THENCE, with the north line of the Dwight E. Reed 116.230 acre tract (O.R. 935, Pg. 20), S 87°-42'-28"W, a distance of 403.53 feet to a MAG spike found on the center-line of County Highway 39, passing a 5/8 inch iron rod found at 377.79 feet.

THENCE, with the center-line of County Highway 39, N 11°-30'-13"E, a distance of 254.08 feet to the point of beginning.

Containing 2.187 acres, of which 0.145 acre is within the highway right-of-way.

The basis for bearings is the center-line of County Highway 39 between Stations 31+00 and 23+23, being S 10°-00'-00"W, and all other bearings are from angles and distances measured in a field survey by Lee Surveying and Mapping Co., Inc. on June 23, 2010.

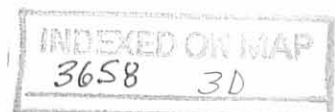


Description prepared by:

A handwritten signature in cursive script that reads 'William K. Bruce'.

William K. Bruce
Professional Surveyor 7437
June 23, 2010

3150610



RECD 4-30-10 8WJ CLK

- LEGEND:
- ⊙ 1/2 INCH IRON ROD FOUND
 - ⊕ 3/4 INCH IRON ROD FOUND
 - 5/8 INCH IRON ROD FOUND
 - 5/8 INCH IRON ROD SET WITH PLASTIC I.D. CAP STAMPED "LSM 7437"
 - ⊕ MAG SPIKE FOUND
 - ⊗ RAILROAD SPIKE FOUND

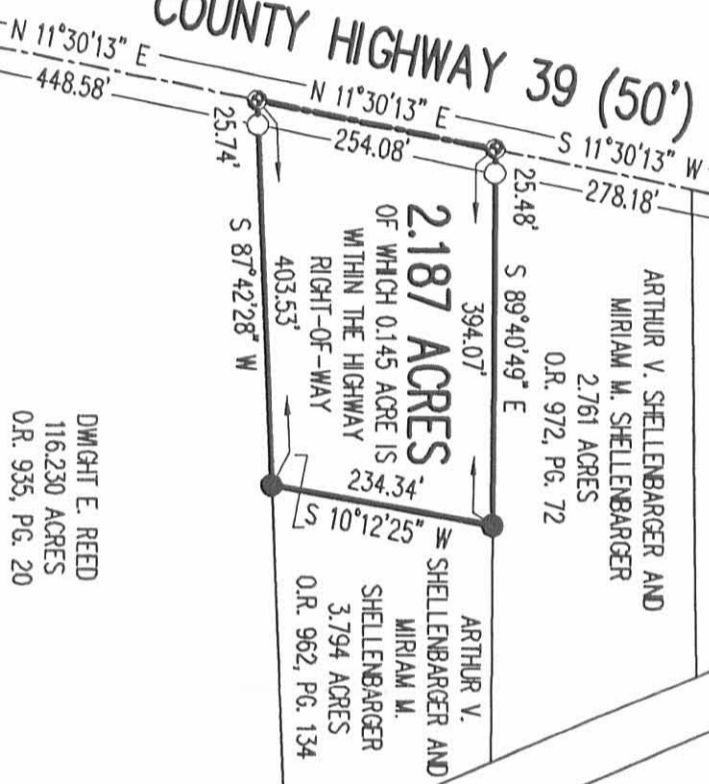
TOWNSHIP ROAD 56

STATION 31+00
(LOGAN COUNTY ENGINEER'S
FIELD BOOK 358, PG. 22)

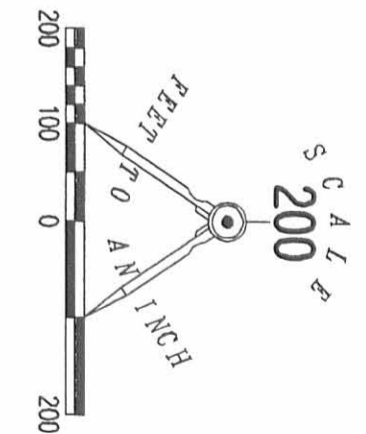
STATION 23+23
(LOGAN COUNTY ENGINEER'S
FIELD BOOK 358, PG. 21)

COUNTY HIGHWAY 39 (50')

(BASIS FOR BEARINGS)
S 10°00'00" W



STATE OF OHIO (FORMER C. & L.E. RAILROAD)



SURVEY OF 2.187 ACRES OUT OF THE
ARTHUR V. SHELLENBARGER
AND MIRIAM M. SHELLENBARGER
3.794 ACRE TRACT
OFFICIAL RECORD 962, PAGE 134
VIRGINIA MILITARY SURVEY 10307
MCARTHUR TOWNSHIP
LOGAN COUNTY, OHIO

SURVEYED BY:

William K. Bruce
WILLIAM K. BRUCE
PROFESSIONAL SURVEYOR 7437
JUNE 23, 2010



COPYRIGHT 2010 BY:
LEE SURVEYING & MAPPING CO., INC.
117 North Modriver Street
Bellefontaine, OHIO 43311
(937) 593-7335
surveys@lsminc.us
KSS D0610 3150610 L-3150-3

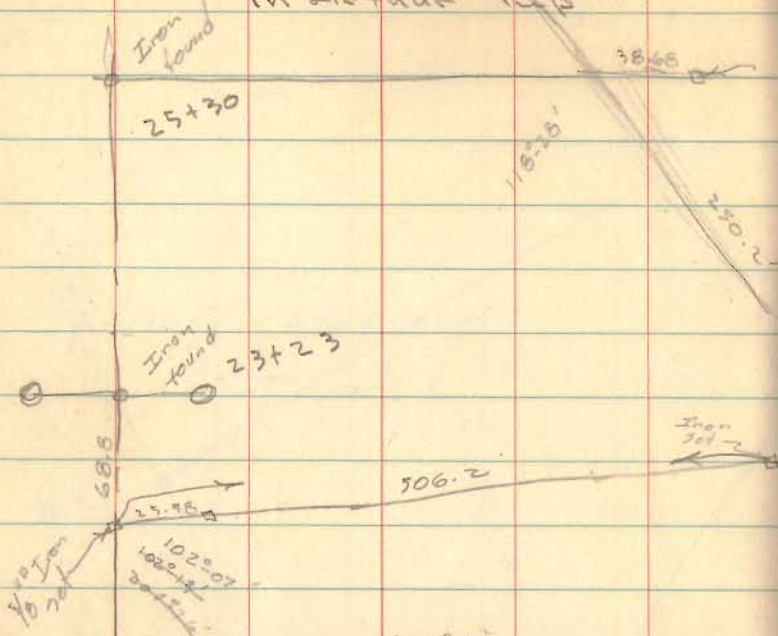
2 WORKING DAYS
BEFORE YOU DIG
CALL TOLL FREE 800-362-2764
OHIO UTILITIES PROTECTION SERVICE

STATION 13+42
(LOGAN COUNTY ENGINEER'S
FIELD BOOK 358, PG. 21)

INDEXED ON MAP
3658 3P

Manquette Survey
McArthur Tap

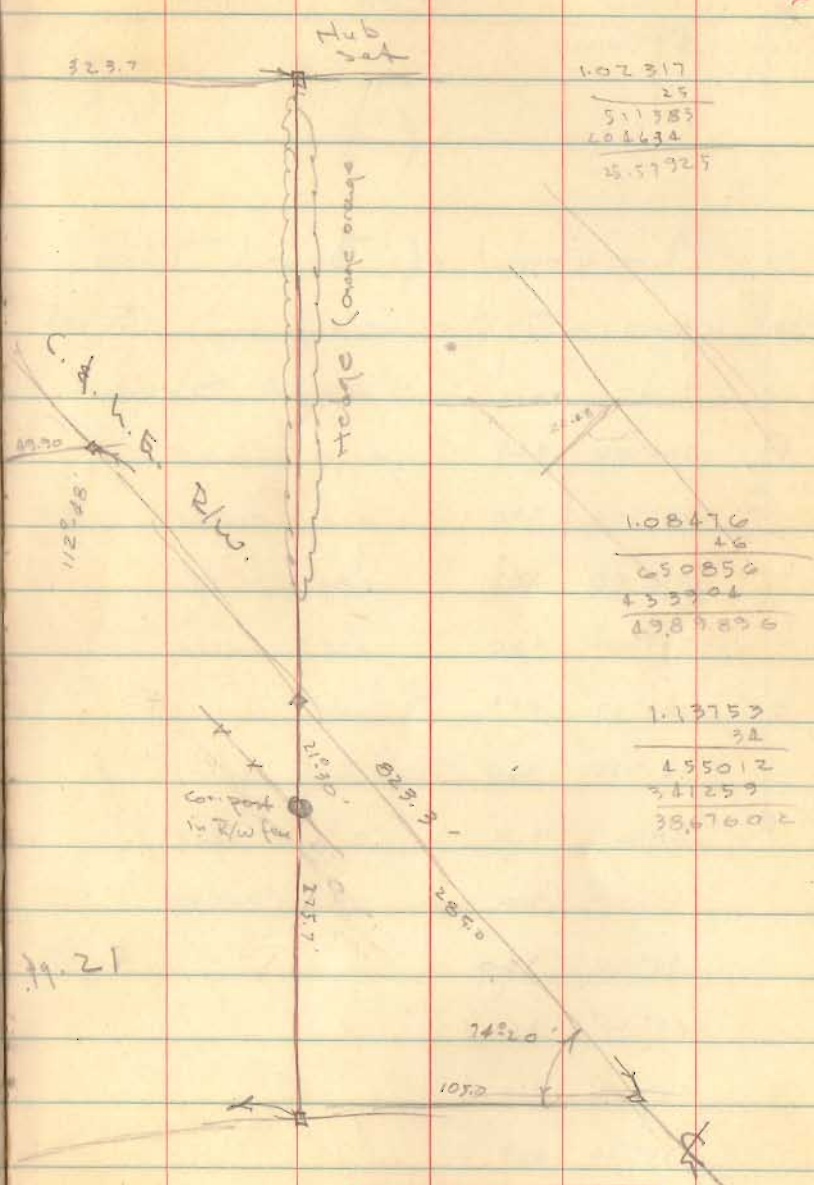
Nov. 5-6-8, 1956
SL



C. H. 39
9/2.2'

102° 07'
112° 48'
76° 20'
70° 47'
358-122

See Ho. Co. Eng. T. D. 358 pp. 21



1.02317
25
51785
208634
5.57925

1.08476
46
650850
453704
4989856

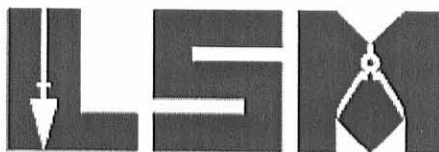
1.13753
32
455012
521259
38,676.02

INDEXED ON MAP
3658

Lee Surveying and Mapping Co., Inc.

Land Surveys • Topography • Subdivisions • Construction Layout

117 N. Madriver St.
Bellefontaine OH 43311



Phone: (937) 593-7335
Fax: (937) 593-7444
surveys@lsminc.us

AJR FARMS LLC 2.170 ACRES

Lying in Virginia Military Survey 10307, McArthur Township, Logan County, Ohio.

Being out of the AJR Farms LLC, 116.230 acre tract as deeded and described in Official record 1052, Page 711, Tract V of the Logan County Records of Deeds and being more particularly described as follows:

Commencing on a railroad spike found on the center-line of County Highway 39 at center-line Station 13+42 (Logan County Engineer's Field Book 358, Page 21).

THENCE, with the center-line of County Highway 39 (50 feet wide), N 11°-30'-13"E, a distance of 448.58 feet to a MAG spike found.

THENCE, with the south line of the Kerri E. Barthauer 3.794 acre tract (O.R. 1039, Pg. 507, Tract I), N 87°-42'-28"E, a distance of 25.74 feet to a 5/8 inch iron rod found on the east right-of-way County Highway 39 at the TRUE POINT OF BEGINNING.

THENCE, with the south line of the said 3.794 acre tract, N 87°-42'-28"E, a distance of 759.13 feet to a point in Cherokee-Mans Run, passing a 5/8 inch iron rod found at 724.13 feet.

THENCE, with the west line of the State of Ohio (Former C. & L.E. Railroad), S 23°-23'-54"E, a distance of 266.89 feet to a point in Cherokee-Mans Run.

THENCE, N 76°-03'-37"W, a distance of 890.74 feet to the point of beginning, passing a 5/8 inch iron rod set at 22.81 feet.

Containing 2.170 acres.

Property is subject to any and all previous easements and rights-of-way of record.

The basis for bearings is the center-line of County Highway 39 between Station 13+42 and Station 23+23, being N 11°-30'-13"E, and all other bearings are from angles and distances measured in a field survey by Lee Surveying and Mapping Co., Inc. on February 3, 2012.

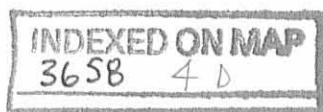


ORIGINAL STAMP IN GREEN

Description prepared by:

William K. Bruce
Professional Surveyor 7437
February 3, 2012

31500112



REV'D 2-8-12 SMM/OK

LEGEND:

- ⊙ 1/2 INCH IRON ROD FOUND
- ⊕ 3/4 INCH IRON ROD FOUND
- 5/8 INCH IRON ROD FOUND
- 5/8 INCH IRON ROD SET WITH PLASTIC I.D. CAP STAMPED "LSM 7437"
- ⊗ MAG SPIKE FOUND
- ⊗ RAILROAD SPIKE FOUND

STATION 31+00
(LOGAN COUNTY ENGINEER'S
FIELD BOOK 358, PG. 22)

TOWNSHIP ROAD 56

STATION 23+23
(LOGAN COUNTY ENGINEER'S
FIELD BOOK 358, PG. 21)

COUNTY HIGHWAY 39 (50')
(BASIS FOR BEARING)
N 11°30'13" E
448.58'

STATION 13+42
(LOGAN COUNTY ENGINEER'S
FIELD BOOK 358, PG. 21)

STATE OF OHIO (FORMER C. & L.E. RAILROAD)

KERRI E. BARTHAUER
2.761 ACRES
O.R. 1039, PG. 507
TRACT II

KERRI E. BARTHAUER
3.794 ACRES
O.R. 1039, PG. 507
TRACT I

AJR FARMS LLC
116.230 ACRES
O.R. 1052, PG. 711
TRACT V

2.170 ACRES

POINTS IN
CHEROKEE-MANS RUN

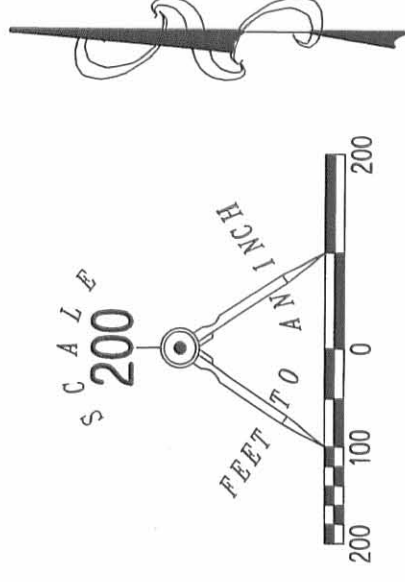
S 23°23'54" E
266.89'

N 87°42'28" E
25.74'

N 87°42'28" E
759.13'

N 76°03'37" W
890.74'

22.81'



**SURVEY OF 2.170 ACRES OUT OF THE
AJR FARMS LLC
116.230 ACRE TRACT
OFFICIAL RECORD 1052, PAGE 711
TRACT V
VIRGINIA MILITARY SURVEY 10307
MCARTHUR TOWNSHIP
LOGAN COUNTY, OHIO**

SURVEYED BY:



WILLIAM K. BRUCE
PROFESSIONAL SURVEYOR 7437
FEBRUARY 3, 2012

COPYRIGHT 2012 BY:

LEE SURVEYING & MAPPING CO., INC.
117 North Madriver Street
BELLEFONTAINE, OHIO 43311
(937) 593-7335
surveys@lsminc.us

KSS D0112 31500112 L-3150-3



2 WORKING DAYS

BEFORE YOU DIG

CALL TOLL FREE **800-362-2764**

OHIO UTILITIES PROTECTION SERVICE

INDEXED ON MAP
365B 4P