

Received 8-27-86

OK 8-28-86 C.R

Lee Surveying and Mapping Co.



Farm Surveys • Lot Surveys • Topography • Subdivisions • Construction Layout

855 EAST SANDUSKY AVENUE
BELLEFONTAINE, OHIO 43311

(513) 593-5780

CLAYTON M. LEE, P.S.
JEFFREY I. LEE, P.S.

WHITAKER TO DUFF

Lying in V.M.S. 12091, 12350, 13274, McArthur Township, Logan County, Ohio.

Being out of that original 121.33 acres in the name of Hazel Whitaker as deeded and described in Volume 295, Page 52 of the Logan County Records of Deeds and being more particularly described as follows:

Beginning at a 'PK' nail found on the center-line intersections of State Route 366 and Township Road 36.

THENCE, with the center-line of said Township Road 36, S 12°-00' E, a distance of 1022.20 feet to a railroad spike (Set). THE TRUE POINT OF BEGINNING.

THENCE, continuing with the center-line of Township Road 36, S 12°-00' E, a distance of 409.57 feet to a railroad spike.

THENCE, S 84°-10' W, a distance of 668.24 feet to a 5/8" iron rod.

THENCE, parallel to Township Road 36, N 12°-00' W, a distance of 350.74 feet to a 5/8" iron rod.

THENCE, N 79°-07' E, a distance of 664.50 feet to the point of beginning.

Containing 5.798 acres.

Prepared by:

Clayton M. Lee
Registered Professional Surveyor No. 6181
August 14, 1986

This description prepared from an actual field survey.



ORIGINAL STAMP IN GREEN

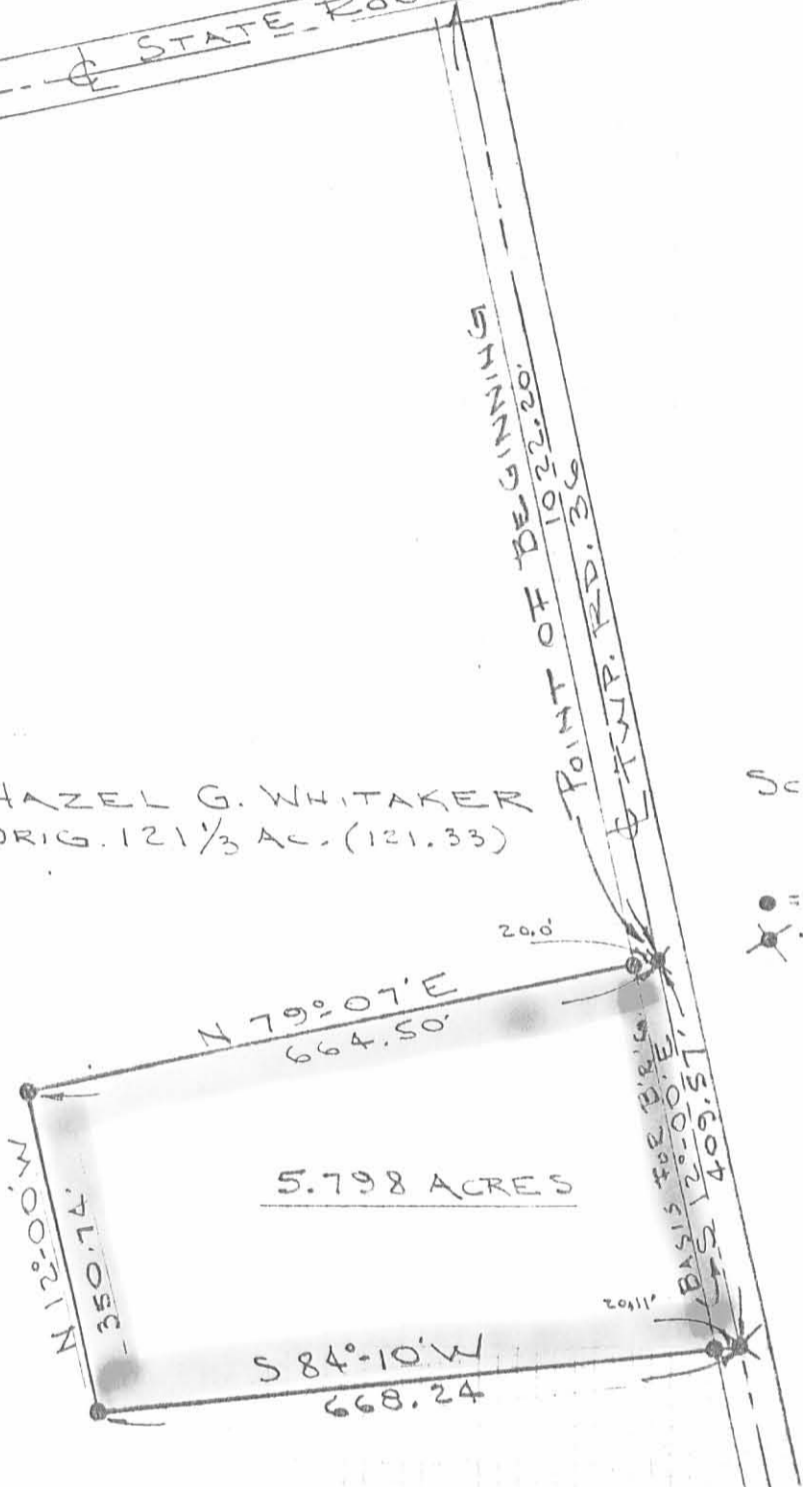
INDEXED ON MAP
7552 ID

STATE ROUTE 366 RICHLAND TWP
 McARTHUR TWP.

HAZEL G. WHITAKER
 ORIG. 121 1/3 AC. (121.33)

SCALE = 1" = 200'

● = 5/8" IRON ROD SET
 ✕ = RR SPIKE SET



SURVEY OF 5.798 ACRES OUT OF THE
 WHITAKER, ORIG. 121.33 ACRES (VOL. 295, PG. 52)
 V.M.S 12091-12350-13274, McARTHUR TWP.
 LOGAN COUNTY, OHIO

By: Clayton M. Lee
 CLAYTON M. LEE
 REG. SURVEYOR 6181
 AUG. 13, 1986



INDEXED ON MAP
 7552 IP

ORIGINAL STAMP IN GREEN

Lee Surveying and Mapping Co., Inc.



Land Surveys • Topography • Subdivisions • Construction Layout

117 N. Madriver St.
Bellefontaine OH 43311



Phone: (937) 593-7335
Fax: (937) 593-7444
surveys@lsminc.us

DUFF 6.000 ACRES

Lying in Virginia Military Survey 12350-13274-12091, McArthur Township, Logan County, Ohio.

Being out of the James David Duff and Renee L. Duff 92.381 acre tract as deeded and described in Official Record 545, Page 684 of the Logan County Records of Deeds and being more particularly described as follows:

Commencing on a 1-1/2 inch iron pipe found on the southeast corner of Virginia Military Survey 12350-13274-12091 on the center-line of Township Road 36 at an angle point.

THENCE, with the center-line of Township Road 36 (40 feet wide), N 07°-42'-57"W, a distance of 1689.75 feet to a railroad spike found at the TRUE POINT OF BEGINNING.

THENCE, with the north line of the Ross D. Duff 5.798 acre tract (O.R. 1038, Pg. 175), S 83°-24'-03"W, a distance of 664.50 feet to a 5/8 inch iron rod set, passing a 5/8 inch iron rod set at 20.00 feet.

THENCE, N 07°-42'-57"W, a distance of 393.39 feet to a 5/8 inch iron rod set.

THENCE, N 83°-24'-03"E, a distance of 664.50 feet to a MAG nail set on the center-line of Township Road 36, passing a 5/8 inch iron rod set at 644.50 feet.

THENCE, with the center-line of Township Road 36, S 07°-42'-57"E, a distance of 393.39 feet to the point of beginning.

Containing 6.000 acres, of which 0.181 acre is within the highway right-of-way.

Property is subject to any and all previous easements and rights-of-way of record.

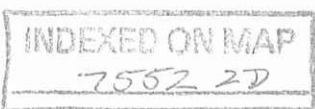
The basis for bearings is the center-line of Township Road 36, being N 07°-42'-57"W, and all other bearings are from angles and distances measured in a field survey by Lee Surveying and Mapping Co., Inc. on November 26, 2013.



ORIGINAL STAMP IN GREEN

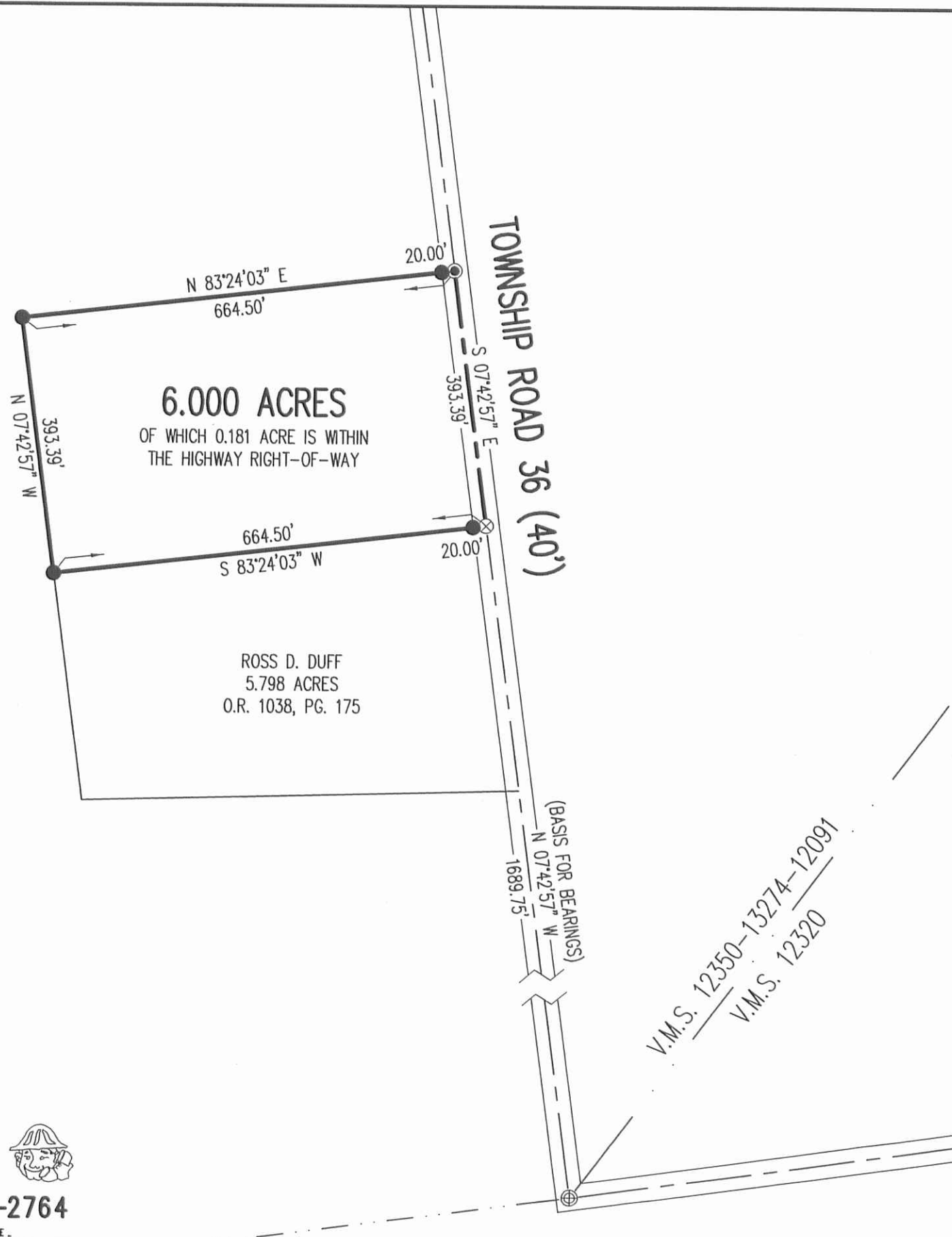
Description prepared by:

William K. Bruce
Professional Surveyor 7437
November 27, 2013



14571113

✓ APPROVED

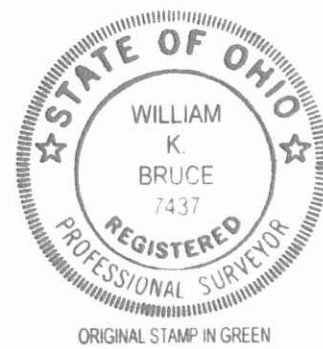
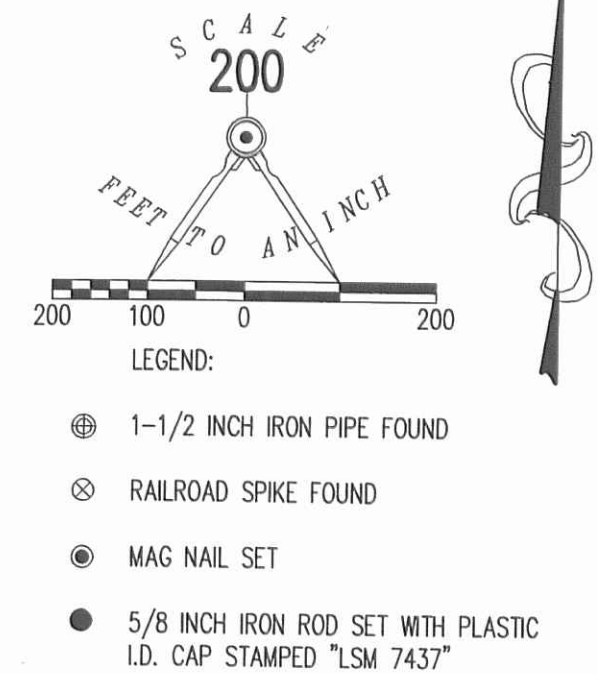


JAMES DAVID DUFF
AND RENEE L. DUFF
92.381 ACRES
O.R. 545, PG. 684

6.000 ACRES
OF WHICH 0.181 ACRE IS WITHIN
THE HIGHWAY RIGHT-OF-WAY

ROSS D. DUFF
5.798 ACRES
O.R. 1038, PG. 175

SURVEY OF 6.000 ACRES OUT OF THE
JAMES DAVID DUFF
AND RENEE L. DUFF
92.381 ACRE TRACT
OFFICIAL RECORD 545, PAGE 684
VIRGINIA MILITARY SURVEY 12350-13274-12091
McARTHUR TOWNSHIP
LOGAN COUNTY, OHIO
SURVEYED BY:



William K. Bruce
WILLIAM K. BRUCE
PROFESSIONAL SURVEYOR 7437
NOVEMBER 26, 2013
COPYRIGHT 2013 BY:
LEE SURVEYING & MAPPING CO., INC.
117 North Madriver Street
BELLEFONTAINE, OHIO 43311
(937) 593-7335
WWW.LSMINC.US
surveys@lsminc.us
KSS D1113 14571113 L-1457-3

2 WORKING DAYS
BEFORE YOU DIG
CALL TOLL FREE **800-362-2764**
OHIO UTILITIES PROTECTION SERVICE

INDEXED ON MAP
7552 ZP