

9-10-14

Lee Surveying and Mapping Co., Inc.



Land Surveys • Topography • Subdivisions • Construction Layout

117 N. Madriver St.
Bellefontaine OH 43311



Phone: (937) 593-7335
Fax: (937) 593-7444
surveys@lsmine.us

HEMPHILL 132.318 ACRES

Lying in Virginia Military Survey 9931, McAthur Township, Logan County, Ohio.

Being Part of the Daniel L. Hemphill and Jenny M. Hemphill 62.5 acre tract and all of the 45 acre tract, 76 acre tract and 4 acre tract as deeded and described in Official Record 276, Page 400, Tracts I, II, III and IV of the Logan County Records of Deeds and being more particularly described as follows:

Beginning at a 3/4 inch iron rod found inside a monument box at the intersection the center-line of County Highway 49 (40 feet wide) and the north lines of McAthur Township and Virginia Military Survey 9931.

THENCE, with the north lines of McAthur Township and Virginia Military Survey 9931 and the south line of the Keith A. Stoner 117.780 acre tract (O.R. 168, Pg. 332, Tract I), N 82°-13'-23"E, a distance of 2983.70 feet to a 5/8 inch iron rod found, passing a 5/8 inch iron rod set at 22.00 feet.

THENCE, with the north lines of McAthur Township and Virginia Military Survey 9931 and the south line of the Chester Schrock and Lydia Schrock 22.31 acre tract (O.R. 836, Pg. 56), N 82°-28'-22"E, a distance of 316.30 feet to a 5/8 inch iron rod set.

THENCE, with the west lines of the Northwood Stone & Asphalt Co. original 90 acre tract and original 57.37 acre tract (O.R. 93, Pg. 58), S 08°05'-13"E, a distance of 3346.60 feet to a 5/8 inch rod set.

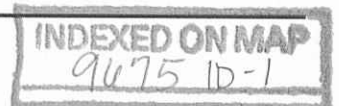
THENCE, with the north line of the said 57.37 acre tract and the north line of the Robert L. Cummings, Jr. and Karol E. Cummings 14.951 acre tract (O.R. 112, Pg. 93), S 82°-10'-15"W, a distance of 1659.09 feet to a 3/4 inch iron bar found.

THENCE, with the west lines of the James David Duff and Renee L. Duff 14.322 acre tract and 14.353 acre tract (O.R. 1127, Pg. 958, Tract II and I) and Richard J. Metcalfe and Marsha A. Metcalfe 25.216 acre tract (O.R. 225, Pg. 105), N 07°-24'-24"W, a distance of 1678.67 feet to a point.

THENCE, with the north line of the said 25.216 acre tract, S 83°-09'-04"W, a distance of 134.69 feet to a 5/8 inch iron rod set, passing a 5/8 inch iron rod found at 16.36 feet.

THENCE, N 07°-26'-45"W, a distance of 1638.65 feet to a 5/8 inch iron set, passing a 5/8 inch iron rod set at 891.16 feet.

MEMBER: NATIONAL SOCIETY OF PROFESSIONAL SURVEYORS (NSPS)
PROFESSIONAL LAND SURVEYORS OF OHIO (PLSO)



Lee Surveying and Mapping Co., Inc.

Land Surveys • Topography • Subdivisions • Construction Layout

117 N. Madriver St.
Bellefontaine OH 43311



Phone: (937) 593-7335
Fax: (937) 593-7444
surveys@lsminc.us

THENCE, S 82°-13'-23"W, a distance of 1522.56 feet to a 5/8 inch iron rod set.

THENCE, S 08°-00'-08"E, a distance of 119.91 feet to a 5/8 inch iron rod set.

THENCE, S 81°-59'-49"W, a distance of 22.00 feet to a MAG nail set, passing the east right-of-way of County Highway 49 at 2.00 feet.

THENCE, with the center-line of County Highway 49, N 08°-00'-08"W, a distance of 150.00 feet to the point of beginning.

Containing 132.318 acres of which 0.069 acre is within the highway right-of-way..

Property is subject to any and all previous easements and rights-of-way of record.

The basis for bearings is the center-line of County Highway 49, being S 08°-00'-08"E, and all other bearings are from angles and distances measured in a field survey by Lee Surveying and Mapping Co., Inc. on September 3, 2014

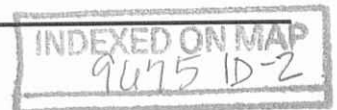
Description prepared by:

A handwritten signature in black ink that reads "William K. Bruce". The signature is written in a cursive, flowing style.

William K. Bruce
Professional Surveyor 7437
September 3, 2014



L-57820814



9-10-14

Lee Surveying and Mapping Co., Inc.



Land Surveys • Topography • Subdivisions • Construction Layout

117 N. Madriver St.
Bellefontaine OH 43311



Phone: (937) 593-7335
Fax: (937) 593-7444
surveys@lsminc.us

HEMPHILL 20 FEET WIDE INGRESS/EGRESS EASEMENT

Lying in Virginia Military Survey 9931, McAthur Township, Logan County, Ohio.

Being a 20 feet wide ingress/egress easement through the Daniel L. Hemphill and Jenny M. Hemphill 62.5 acre tract as deeded and described in Official Record 276, Page 400, Tract I of the Logan County Records of Deeds and being more particularly described as follows:

Commencing at a 3/4 inch iron rod found inside a monument box at the intersection the center-line of County Highway 49 (40 feet wide) and the north lines of McAthur Township and Virginia Military Survey 9931.

THENCE, with the center-line of County Highway 49, S 08°-00'-08"E, a distance of 807.36 feet to a railroad spike set at the TRUE POINT OF BEGINNING.

THENCE, with the center-line of this 20 feet wide ingress/egress easement the following three courses:

N 84°-05'-13"E, a distance of 1140.19 feet to a railroad spike set.

N 03°-13'-26"E, a distance of 133.70 feet to a railroad spike set.

S 87°-58'-37"E, a distance of 377.60 feet to a 5/8 inch iron rod set at the terminus of this easement.

The sidelines of said easement to be shortened or prolonged to meet at angle point intersections.

The basis for bearings is the center-line of County Highway 49, being S 08°-00'-08"E, and all other bearings are from angles and distances measured in a field survey by Lee Surveying and Mapping Co., Inc. on September 3, 2014



Description prepared by:

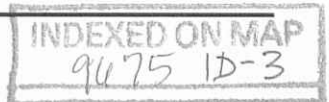
William K. Bruce

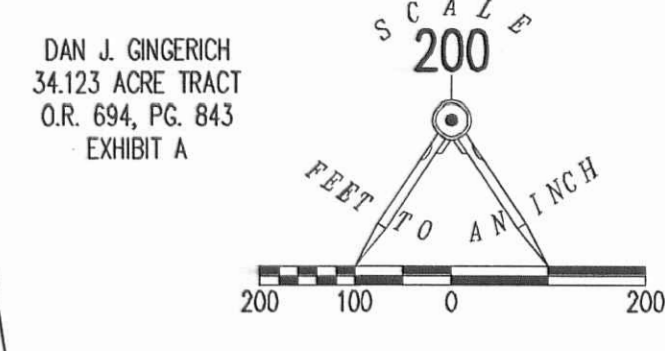
William K. Bruce
Professional Surveyor 7437
September 3, 2014

L-57820814

ORIGINAL STAMP IN GREEN

MEMBER: NATIONAL SOCIETY OF PROFESSIONAL SURVEYORS (NSPS)
PROFESSIONAL LAND SURVEYORS OF OHIO (PLSO)



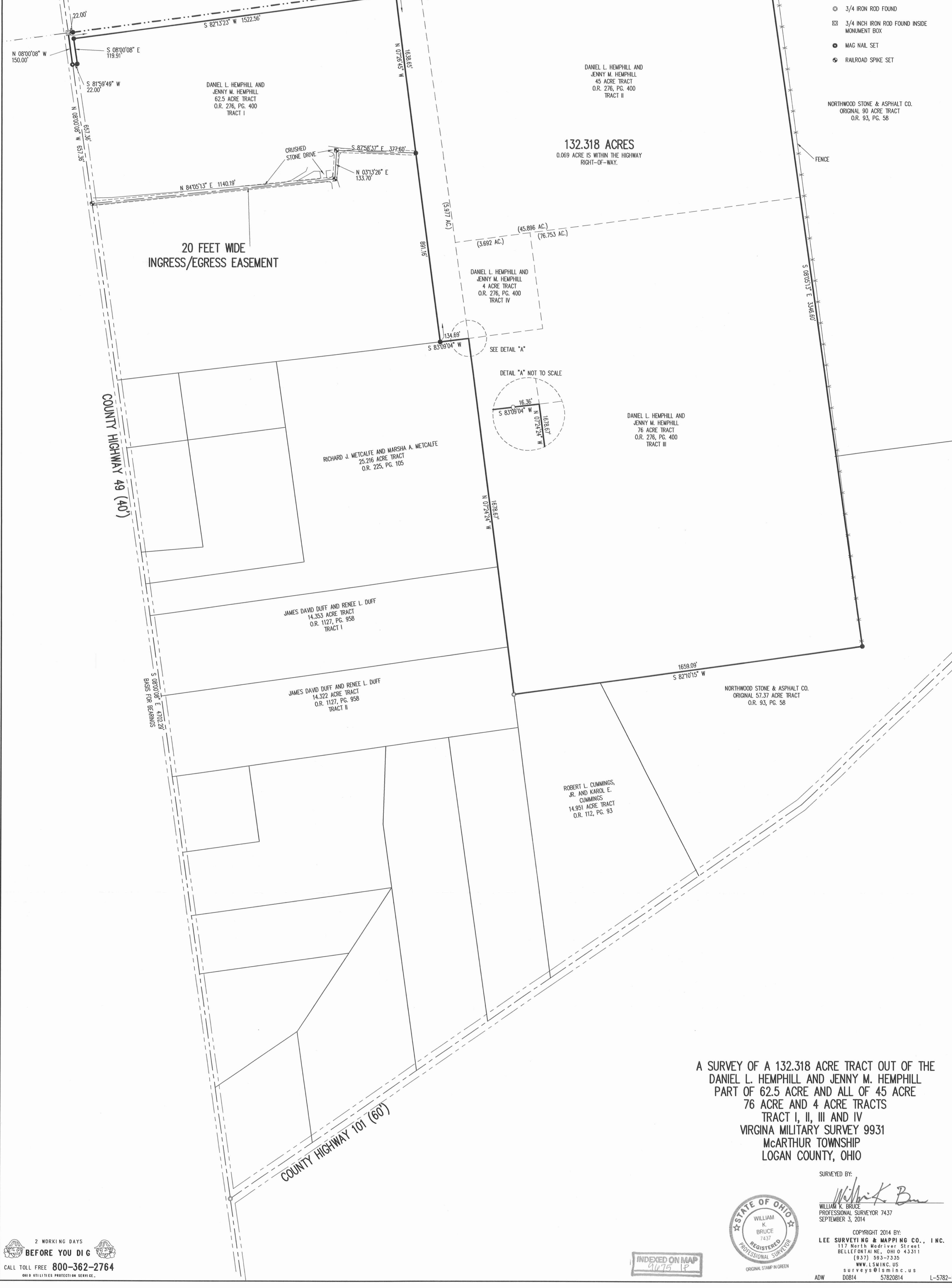


CHESTER SCHROCK AND
LYDIA SCHROCK
22.31 ACRES
O.R. 836, PG. 56

RICHLAND TOWNSHIP
V.M.S. 9951
V.M.S. 9931
McARTHUR TOWNSHIP

- LEGEND
- 5/8 INCH IRON ROD SET WITH PLASTIC I.D. CAP STAMPED "LSM 7437"
 - 5/8 INCH IRON ROD FOUND
 - ⊙ 3/4 IRON ROD FOUND
 - ⊞ 3/4 INCH IRON ROD FOUND INSIDE MONUMENT BOX
 - MAG NAIL SET
 - ⊙ RAILROAD SPIKE SET

NORTHWOOD STONE & ASPHALT CO.
ORIGINAL 90 ACRE TRACT
O.R. 93, PG. 58



A SURVEY OF A 132.318 ACRE TRACT OUT OF THE
DANIEL L. HEMPHILL AND JENNY M. HEMPHILL
PART OF 62.5 ACRE AND ALL OF 45 ACRE
76 ACRE AND 4 ACRE TRACTS
TRACT I, II, III AND IV
VIRGINA MILITARY SURVEY 9931
McARTHUR TOWNSHIP
LOGAN COUNTY, OHIO

SURVEYED BY:
William K. Bruce
WILLIAM K. BRUCE
PROFESSIONAL SURVEYOR 7437
SEPTEMBER 3, 2014



COPYRIGHT 2014 BY:
LEE SURVEYING & MAPPING CO., INC.
117 North Modriver Street
BELLEFONTAINE, OHIO 43311
(937) 593-7336
WWW.LSWMINC.US
surveys@lswminc.us
ADW D0814 57820814 L-5782-1