

REC'D 11-09-94 SMLY OK ✓



Lee Surveying and Mapping Co.



Farm Surveys • Lot Surveys • Topography • Subdivisions • Construction Layout

143 EAST COLUMBUS AVENUE
BELLEFONTAINE, OHIO 43311

(513) 593-7335

JEFFREY I. LEE, P.S.

THOMPSON 1.393 ACRES

Lying in Fractional Section 36, Town 3, Range 13, Miami Township, Logan County, Ohio.

Being out of the Christopher A. Thompson 100 acre tract as deeded and described in Official Record 222, Page 444, Tract I of the Logan County Records of Deeds and being more particularly described as follows:

Beginning at a stone in a monument box found at the northwest corner of the southwest quarter of said Section 36. The said stone is also at the northwest corner of the said 100 acre tract and on the center-line of County Highway 4.

THENCE, with the west line of Section 36, the west line of the 100 acre tract, and the center-line of County Highway 4 (60 feet wide), S 8°-51'-00" W, a distance of 1001.04 feet to a railroad spike set at the TRUE POINT OF BEGINNING.

THENCE, S 80°-44'-20" E, a distance of 348.30 feet to a 5/8 inch iron rod set.

THENCE, S 8°-15'-39" W, a distance of 197.62 feet to a 5/8 inch iron rod set.

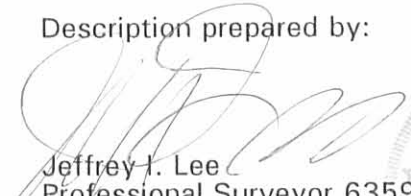
THENCE, N 73°-00'-37" W, a distance of 353.89 feet to a railroad spike set.

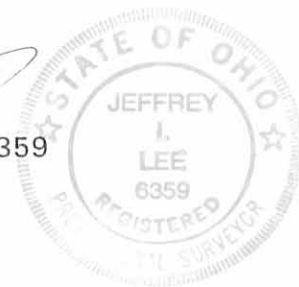
THENCE, with the west line of Section 36, the west line of the 100 acre tract, and the center-line of County Highway 4, N 8°-51'-00" E, a distance of 150.00 feet to the point of beginning.

Containing 1.393 acres of which 0.105 acre is within the highway right-of-way.

The basis for bearings is based upon the west line of Section 36 being N 8°-51'-00" E, and all other bearings are from angles and distances measured in a field survey by Lee Surveying and Mapping Company on October 27, 1994.

Description prepared by:


Jeffrey I. Lee
Professional Surveyor 6359
November 9, 1994

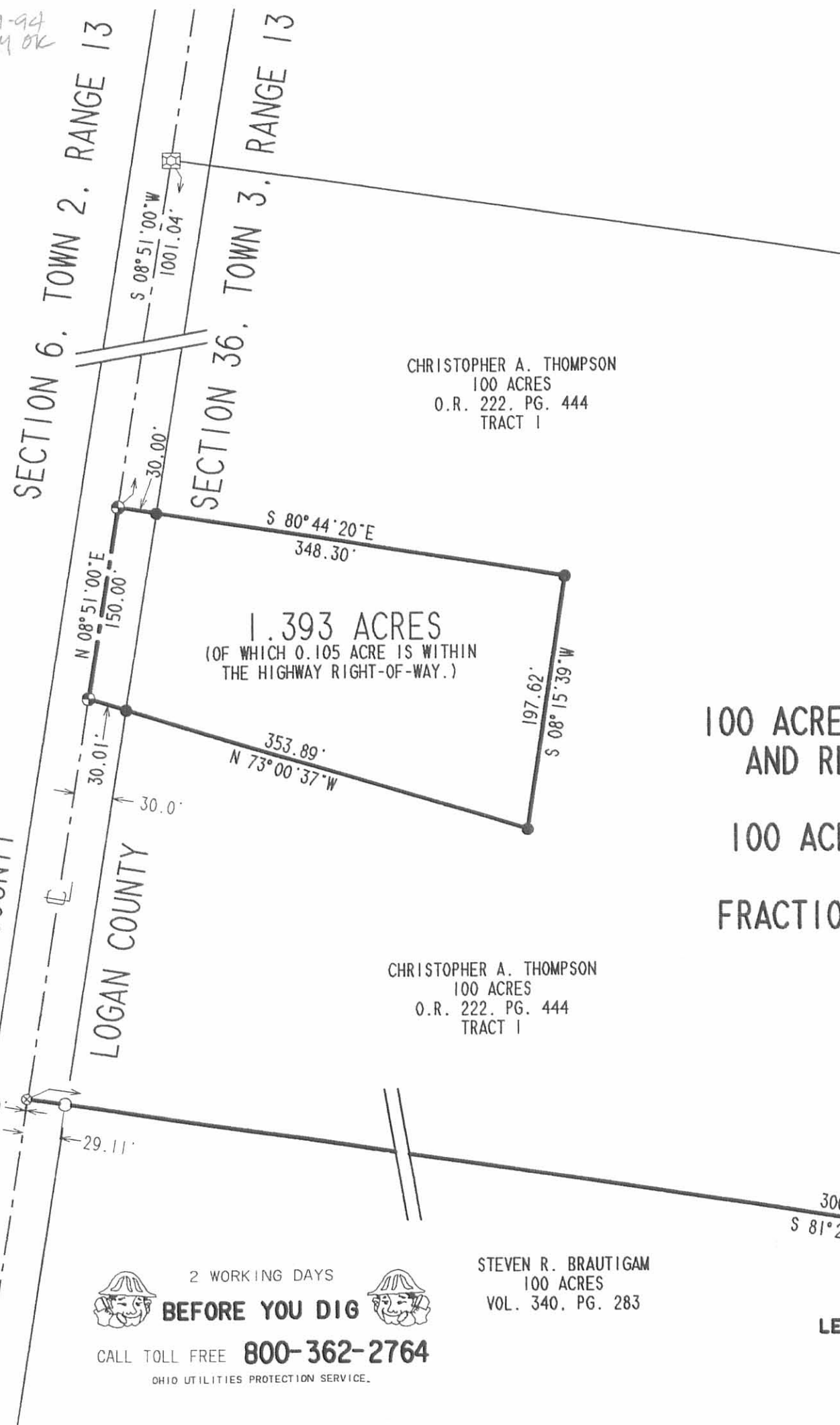


L 2224

ORIGINAL STAMP IN GREEN

INDEXED ON MAP
8955 1D

REC'D 11-9-94
SMY OK



CHRISTOPHER A. THOMPSON
100 ACRES
O.R. 222, PG. 444
TRACT I

CHRISTOPHER A. THOMPSON
100 ACRES
O.R. 222, PG. 444
TRACT I

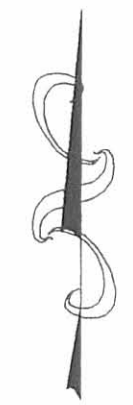
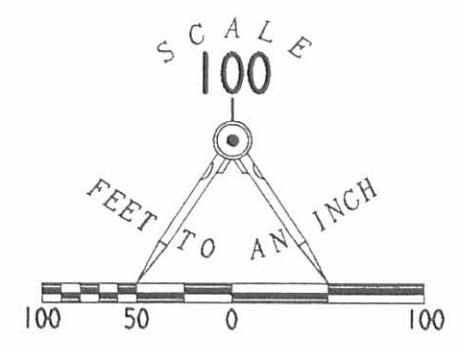
STEVEN R. BRAUTIGAM
100 ACRES
VOL. 340, PG. 283

CHRISTOPHER A. THOMPSON
37.597 ACRES
O.R. 222, PG. 444
TRACT II

STEVEN R. BRAUTIGAM
49.903 ACRES
VOL. 382, PG. 748
TRACT I

LEGEND

- ☒ STONE IN MONUMENT BOX FOUND
- ⊗ RAILROAD SPIKE FOUND
- 5/8" IRON ROD FOUND
- 1/2" IRON ROD FOUND
- ⊕ RAILROAD SPIKE SET
- 5/8" IRON ROD SET

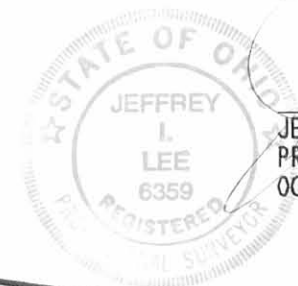


REFERANCES

LOGAN COUNTY MAP ROOM SURVEY INDEX NUMBER 5341.
LOGAN COUNTY ENGINEER'S FIELD BOOK 699, PAGES 60 THRU 62.

SURVEY OF 1.393 ACRES OUT OF
THE CHRISTOPHER A. THOMPSON
100 ACRES, OFFICIAL RECORD 222, PAGE 444, TRACT I
AND RETRACEMENT SURVEY OF THE SOUTH LINES OF
THE CHRISTOPHER A. THOMPSON
100 ACRES, TRACT I, AND 37.597 ACRES, TRACT II
OFFICIAL RECORD 222, PAGE 444
FRACTIONAL SECTION 36, TOWN 3, RANGE 13, M.R.S.
MIAMI TOWNSHIP
LOGAN COUNTY
OHIO

SURVEYED BY:



JEFFREY L. LEE
PROFESSIONAL SURVEYOR 6359
OCTOBER 27, 1994

ORIGINAL COPIES IN GREEN

INDEXED ON MAP
8955 1P

LEE SURVEYING & MAPPING CO.
143 East Columbus Avenue
BELLEFONTAINE, OHIO 43311
(513) 593-7335

2 WORKING DAYS
BEFORE YOU DIG
CALL TOLL FREE **800-362-2764**
OHIO UTILITIES PROTECTION SERVICE.