


REC'D 4-20-96 gmf OK ✓


Lee Surveying and Mapping Co., Inc.



Farm Surveys • Lot Surveys • Topography • Subdivisions • Construction Layout

143 EAST COLUMBUS AVENUE
BELLEFONTAINE, OHIO 43311

(513) 593-7335
FAX (513) 593-7444

KNIGHT & KELLY 5.001 ACRES TRACT A

Lying in Section 32, Town 3, Range 14, Pleasant Township, Logan County, Ohio.

Being out of the Lawrence Knight, Charles Richard Knight, and Mary Jane Kelly original 86.0 acre tract as deeded and described in Official Record 181, Page 700 of the Logan County Records of Deeds and being more particularly described as follows:

Beginning at a railroad spike found at the intersection of the south line of Section 32 and the center-line of County Highway 11.

THENCE, with the center-line of County Highway 11 (60 feet wide), N 0°-24'-50" W, a distance of 237.27 feet to a railroad spike set at the TRUE POINT OF BEGINNING.

THENCE, with the center-line of County Highway 11, N 0°-24'-50" W, a distance of 160.85 feet to a railroad spike found.

THENCE, with the south line of the Gene Blumenschein 131.0 acre tract (O.R. 221, Pg. 928), S 84°-33'-30" E, a distance of 1213.50 feet to a 5/8 inch iron rod set.

THENCE, with the west lines of the Benjamin W. Pool 151.75 acre tract (Vol. 319, Pg. 775, Tr. I) and the Judith Pool Krasnoff 10.0 acre tract (O.R. 222, Pg. 30, Tr. IV), S 6°-08'-15" W, a distance of 191.21 feet to a 5/8 inch iron rod set.

THENCE, N 84°-33'-30" W, a distance of 804.57 feet to a 5/8 inch iron rod set.


THENCE, N 0°-24'-50" W, a distance of 31.35 feet to a 5/8 inch iron rod set.

THENCE, N 84°-33'-30" W, a distance of 387.00 feet to the point of beginning.

Containing 5.001 acres of which 0.111 acre is within the highway right-of-way.

The basis for bearings is the center of County Highway 11 being N 0°-24'-50" W, and all other bearings are from angles and distances measured in a field survey by Lee Surveying and Mapping Co., Inc. on April 17, 1996.

Description prepared by:

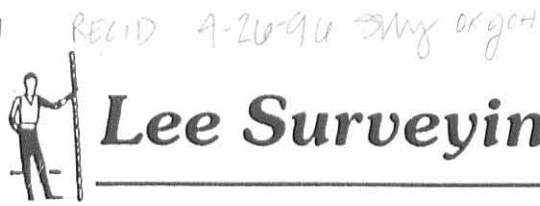

Jeffrey I. Lee
Professional Surveyor 6359
April 25, 1996



L 2248

ORIGINAL STAMP IN GREEN

INDEXED ON MAP
08/17 10-1



Lee Surveying and Mapping Co., Inc.

Farm Surveys • Lot Surveys • Topography • Subdivisions • Construction Layout

143 EAST COLUMBUS AVENUE
BELLEFONTAINE, OHIO 43311

(513) 593-7335
FAX (513) 593-7444

KNIGHT & KELLY 14.580 ACRES TRACT B

Lying in Sections 31 and 32, Town 3, Range 14, Pleasant Township, Logan County, Ohio.

Being out of the Lawrence Knight, Charles Richard Knight, and Mary Jane Kelly original 86.0 acre tract as deeded and described in Official Record 181, Page 700 of the Logan County Records of Deeds and being more particularly described as follows:

Beginning at a railroad spike found at the intersection of the south line of Section 32 and the center-line of County Highway 11.

THENCE, with the center-line of County Highway 11 (60 feet wide), S 0°-24'-50" E, a distance of 215.13 feet to a railroad spike set at the TRUE POINT OF BEGINNING.

THENCE, S 84°-33'-30" E, a distance of 387.00 feet to a 5/8 inch iron rod set.

THENCE, N 0°-24'-50" W, a distance of 421.05 feet to a 5/8 inch iron rod set.

THENCE, S 84°-33'-30" E, a distance of 804.57 feet to a 5/8 inch iron rod set.

THENCE, with the west lines of the Judith Pool Krasnoff 10.0 acre tract (O.R. 222, Pg. 30, Tr. IV), and 139.63 acre tract (O.R. 222, Pg. 30, Tr. III), S 6°-08'-15" W, a distance of 818.70 feet to a railroad spike set.

THENCE, with the center-line of County Highway 43 (60 feet wide), N 82°-36'-50" W, a distance of 722.06 feet to a 5/8 inch iron rod found.

THENCE, with the lines of the Larry E. Hall 2.740 acre tract (O.R. 199, Pg. 269) the following two courses:

N 6°-18'-55" E, a distance of 312.94 feet to a 5/8 inch iron rod found.

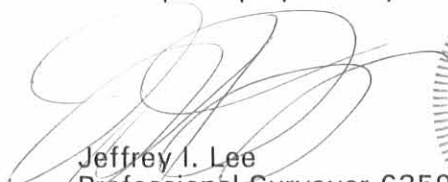
N 86°-12'-15" W, a distance of 414.35 feet to a 5/8 inch iron rod found.

THENCE, with the center-line of County Highway 11, N 0°-24'-50" W, a distance of 74.67 feet to the point of beginning.

Containing 14.580 acres of which 0.548 acre is within the highway rights-of-way. 10.852 acres are in Section 31 and 3.728 acres are in Section 32.

The basis for bearings is the center of County Highway 11 being N 0°-24'-50" W, and all other bearings are from angles and distances measured in a field survey by Lee Surveying and Mapping Co., Inc. on April 17, 1996.

Description prepared by:


Jeffrey I. Lee
Professional Surveyor 6359
April 25, 1996



L 2248

ORIGINAL STAMP IN GREEN

INDEXED ON MAP
0017 ID-2

1 RECID A-26-96 SURV OK 9/14



Lee Surveying and Mapping Co., Inc.

Farm Surveys • Lot Surveys • Topography • Subdivisions • Construction Layout

143 EAST COLUMBUS AVENUE
BELLEFONTAINE, OHIO 43311

(513) 593-7335
FAX (513) 593-7444

KNIGHT & KELLY 1.333 ACRES TRACT C

Lying in Section 32, Town 3, Range 14, Pleasant Township, Logan County, Ohio.

Being out of the Lawrence Knight, Charles Richard Knight, and Mary Jane Kelly original 86.0 acre tract as deeded and described in Official Record 181, Page 700 of the Logan County Records of Deeds and being more particularly described as follows:

Beginning at a railroad spike found at the intersection of the south line of Section 32 and the center-line of County Highway 11.

THENCE, with the center-line of County Highway 11 (60 feet wide), N 0°-24'-50" W, a distance of 86.47 feet to a railroad spike set at the TRUE POINT OF BEGINNING.

THENCE, with the center-line of County Highway 11, N 0°-24'-50" W, a distance of 150.80 feet to a railroad spike set.

THENCE, S 84°-33'-30" E, a distance of 387.00 feet to a 5/8 inch iron rod set.

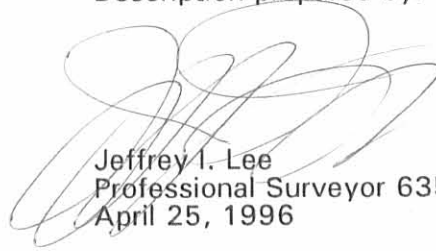
THENCE, S 0°-24'-50" E, a distance of 150.80 feet to a 5/8 inch iron rod set.

THENCE, N 84°-33'-30" W, a distance of 387.00 feet to the point of beginning.

Containing 1.333 acres of which 0.104 acre is within the highway right-of-way.

The basis for bearings is the center of County Highway 11 being N 0°-24'-50" W, and all other bearings are from angles and distances measured in a field survey by Lee Surveying and Mapping Co., Inc. on April 17, 1996.

Description prepared by:


Jeffrey I. Lee
Professional Surveyor 6359
April 25, 1996



ORIGINAL STAMP IN GREEN

INDEXED ON MAP
0817 1D-3



REC'D A-26-96 AMF OKGCH

Lee Surveying and Mapping Co., Inc.



Farm Surveys • Lot Surveys • Topography • Subdivisions • Construction Layout

143 EAST COLUMBUS AVENUE
BELLEFONTAINE, OHIO 43311

(513) 593-7335
FAX (513) 593-7444

KNIGHT & KELLY 1.333 ACRES TRACT D

Lying in Sections 31 and 32, Town 3, Range 14, Pleasant Township, Logan County, Ohio.

Being out of the Lawrence Knight, Charles Richard Knight, and Mary Jane Kelly original 86.0 acre tract as deeded and described in Official Record 181, Page 700 of the Logan County Records of Deeds and being more particularly described as follows:

Beginning at a railroad spike found at the intersection of the south line of Section 32 and the center-line of County Highway 11.

THENCE, with the center-line of County Highway 11 (60 feet wide), N 0°-24'-50" W, a distance of 86.47 feet to a railroad spike set.

THENCE, S 84°-33'-30" E, a distance of 387.00 feet to a 5/8 inch iron rod set.

THENCE, S 0°-24'-50" E, a distance of 150.80 feet to a 5/8 inch iron rod set.

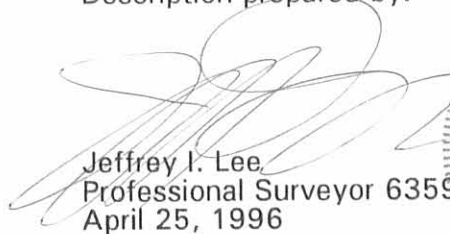
THENCE, N 84°-33'-30" W, a distance of 387.00 feet to a railroad spike set.

THENCE, with the center-line of County Highway 11, N 0°-24'-50" W, a distance of 64.33 feet to the point of beginning.

Containing 1.333 acres of which 0.104 acre is within the highway right-of-way. 0.764 acre is in Section 32 and 0.569 acre is in Section 31.

The basis for bearings is the center of County Highway 11 being N 0°-24'-50" W, and all other bearings are from angles and distances measured in a field survey by Lee Surveying and Mapping Co., Inc. on April 17, 1996.

Description prepared by:


Jeffrey I. Lee
Professional Surveyor 6359
April 25, 1996



L 2248

ORIGINAL STAMP IN GREEN

INDEXED ON MAP
8817 1D-4

REC'D 4-26-96 SWY OK JH



Lee Surveying and Mapping Co., Inc.



Farm Surveys • Lot Surveys • Topography • Subdivisions • Construction Layout

143 EAST COLUMBUS AVENUE
BELLEFONTAINE, OHIO 43311

(513) 593-7335
FAX (513) 593-7444

KNIGHT & KELLY 1.333 ACRES TRACT E

Lying in Section 31, Town 3, Range 14, Pleasant Township, Logan County, Ohio.

Being out of the Lawrence Knight, Charles Richard Knight, and Mary Jane Kelly original 86.0 acre tract as deeded and described in Official Record 181, Page 700 of the Logan County Records of Deeds and being more particularly described as follows:

Beginning at a railroad spike found at the intersection of the south line of Section 32 and the center-line of County Highway 11.

THENCE, with the center-line of County Highway 11 (60 feet wide), S 0°-24'-50" E, a distance of 64.33 feet to a railroad spike set at the TRUE POINT OF BEGINNING.

THENCE, S 84°-33'-30" E, a distance of 387.00 feet to a 5/8 inch iron rod set.

THENCE, S 0°-24'-50" E, a distance of 150.80 feet to a 5/8 inch iron rod set.

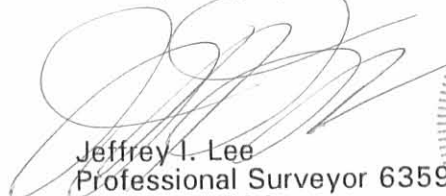
THENCE, N 84°-33'-30" W, a distance of 387.00 feet to a railroad spike set.

THENCE, with the center-line of County Highway 11, N 0°-24'-50" W, a distance of 150.80 feet to the point of beginning.

Containing 1.333 acres of which 0.104 acre is within the highway right-of-way.

The basis for bearings is the center of County Highway 11 being N 0°-24'-50" W, and all other bearings are from angles and distances measured in a field survey by Lee Surveying and Mapping Co., Inc. on April 17, 1996.

Description prepared by:


Jeffrey I. Lee
Professional Surveyor 6359
April 25, 1996

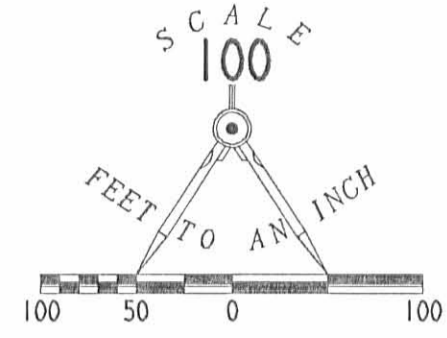
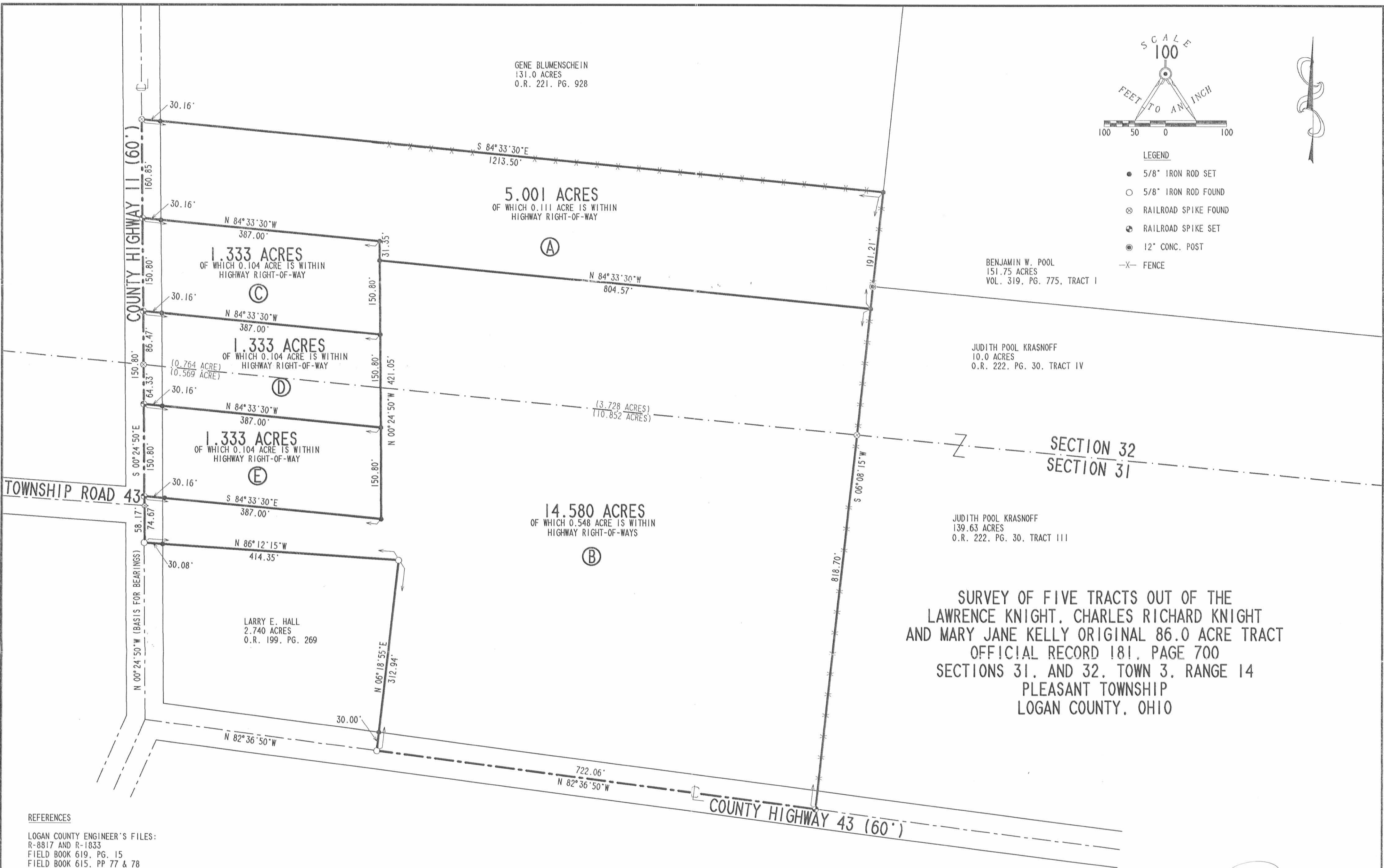


L 2248

ORIGINAL STAMP IN GREEN

INDEXED ON MAP
0817 1D-5

REC'D 4-26-96 SWY OK ✓



- LEGEND
- 5/8" IRON ROD SET
 - 5/8" IRON ROD FOUND
 - ⊗ RAILROAD SPIKE FOUND
 - ⊕ RAILROAD SPIKE SET
 - ⊙ 12" CONC. POST
 - X- FENCE

REFERENCES

LOGAN COUNTY ENGINEER'S FILES:
R-8817 AND R-1833
FIELD BOOK 619, PG. 15
FIELD BOOK 615, PP 77 & 78
X-43

2 WORKING DAYS
BEFORE YOU DIG

CALL TOLL FREE **800-362-2764**
OHIO UTILITIES PROTECTION SERVICE.

INDEXED ON MAP
8817 1P

SURVEY OF FIVE TRACTS OUT OF THE
LAWRENCE KNIGHT, CHARLES RICHARD KNIGHT
AND MARY JANE KELLY ORIGINAL 86.0 ACRE TRACT
OFFICIAL RECORD 181, PAGE 700
SECTIONS 31, AND 32, TOWN 3, RANGE 14
PLEASANT TOWNSHIP
LOGAN COUNTY, OHIO



SURVEYED BY:
Jeffrey I. Lee
JEFFREY I. LEE
PROFESSIONAL SURVEYOR 6359
APRIL 17, 1996

COPYRIGHT 1996 BY:
LEE SURVEYING & MAPPING CO., INC.
143 East Columbus Avenue
BELLEFONTAINE, OHIO 43311
(513) 593-7335

ORIGINAL STAMP IN GREEN

D 281 KELYEAST L-2248-2

Received 7-28-93

old CM

LESLIE H. GEESLIN
REGISTERED SURVEYOR NO. 5248
P. O. BOX 274
RUSHSVLVANIA, OHIO 43347

TELEPHONE: (513) 468-2793

KNIGHT SURVEY

July 28, 1993

The following described real estate situated in the State of Ohio, County of Logan, Township of Pleasant, being part of Section 31, Town 3, Range 14, and more particularly described as follows:

Beginning at a 3/4 inch iron pipe found at the intersection of the centerlines of County Highways 11 and 43 (Station 101+77.4 as shown in the Logan County Engineer's Field Book 619 Page 15).

Thence with the centerline of said C. H. 11 N. 7° 00' 00" W. 289.92 feet to a 5/8 inch iron bar set.

Thence N. 87° 12' 39" E. 414.34 feet to a 5/8 inch iron bar set.

Thence S. 0° 16' 16" E. 312.90 feet to a 5/8 inch iron bar set in the centerline of said C. H. 43.

Thence with the centerline of said C. H. 43 N. 89° 15' 00" W. 380.03 feet to the place of beginning.

Containing 2.740 acres more or less of which 0.149 acre is in the right-of-way of County Highway 11 and 0.262 acre is in the Right-of-way of County Highway 43.

The above described 2.740 acre tract being part of Lawrence Knight's 86 acre tract as described in O. R. Vol. 181 Page 700.

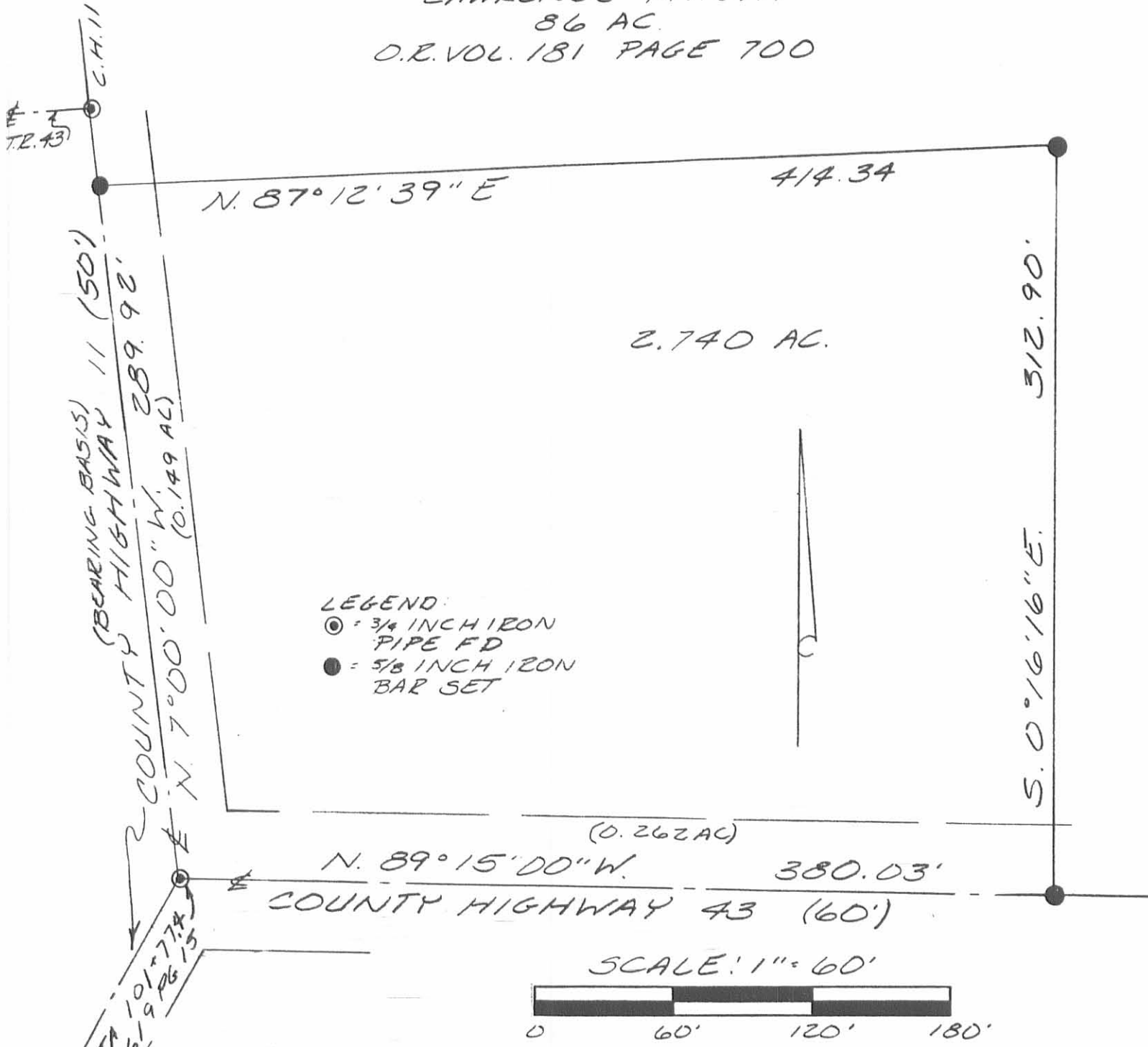
Bearings are based on an assumed bearing (N. 7° 00' 00" W.) for the centerline of County Highway 11 as established from F. B. 619 Page 15 in this field survey by Leslie H. Geeslin, Reg. Surveyor 5248 on July 28, 1993.



Leslie H. Geeslin

INDEXED ON MAP
8817 2D

LAWRENCE KNIGHT
 86 AC.
 O.R. VOL. 181 PAGE 700



LEGEND:
 ○ = 3/4 INCH IRON PIPE FD
 ● = 5/8 INCH IRON BAR SET

SCALE: 1" = 60'



SURVEY OF 2,740 ACRES out
 of 86 ACRES in SECTION 31,
 TOWN 3 RANGE 14, PLEASANT
 TOWNSHIP, LOGAN COUNTY,
 OHIO FOR CHARLES KNIGHT
 on JULY 28, 1993



Leslie H. Geeslin

LESLIE H. GEESLIN
 RUSHSVLVANIA, OH
 (513) 468-2793

INDEXED ON MAP
 8817-2P

2-9-2023

APPROVED

PARCEL 2

Bockrath & Associates Engineering and Surveying, LLC
115 S. Fair Ave., Suite A - Ottawa, OH 45875
(419) 523-5789

PARCEL 2 10.915 ACRES

Situated as being part of Sections 31 and 32, Town 3, Range 14, Pleasant Township, Logan County, Ohio, also being part of an original 14.580 acre tract of land currently owned by Tom & Tamara Scott, and as recorded in Official Record Volume 1392, Page 5677 and more particularly described as follows:

Commencing at a railroad spike found at the intersection of the North line of said Section 31 and the centerline of County Road 11(60' R/W);

Thence South 00°39'27" East along the centerline of said County Road 11 a distance of 215.13 feet to a railroad spike found marking the Southwest corner of a 1.333 acre tract of land currently owned by Kelsey D. and Steve P. Webb, as recorded in Official Record Volume 1281, Page 379 (Tract III) and a Northwest corner of said 14.580 acre tract and the POINT OF BEGINNING;

Thence along the perimeter of said 14.580 acre tract the following four (4) courses:

South 84°48'07" East along the South line of said 1.333 acre tract a distance of 387.00 feet to a 5/8 inch rebar with ID cap set marking the Southeast corner of said 1.333 acre tract, passing a 5/8 inch rebar found at 30.16 feet;

North 00°39'27" West along the East line of said 1.333 acre tract and the East lines of a 1.333 acre tract of land currently owned by Kelsey D. and Steve P. Webb, as recorded in Official Record Volume 1281, Page 379 (Tract II) and the East line of a 1.333 acre tract of land currently owned by Kelsey D. and Steve P. Webb, as recorded in Official Record Volume 1281, Page 379 (Tract I) a distance of 421.05 feet to a 5/8 inch rebar with ID cap set marking a Southwest corner of a 5.001 acre tract of land currently owned by Tom Scott, ETAL as recorded in Official Record Volume 299, Page 551, passing a 5/8 inch rebar with ID cap set at 214.92 feet on the North line of said Section 31;

South 84°48'07" East along the a South line of said 5.001 acre tract a distance of 804.57 feet to a 5/8 inch rebar with ID cap set on the West line of a 21.576 acre tract of land currently owned by Pool Brothers Farms LLC as recorded in Official Record Volume 727, Page 97 (Tract III), marking the Southeast corner of said 5.001 acre tract;

INDEXED ON MAP
8817

South 05°53'38" West along said West line a distance of 597.44 feet to a 5/8 inch rebar with ID cap set;

Thence North 82°51'27" West along a new division a distance of 721.38 feet to a 5/8 inch rebar with ID cap set on the East line of a 2.74 acre tract of land currently owned by Joshua C. and Lauren O. Adams, as recorded in Official Record Volume 1395, Page 2272;

Thence along the perimeter of said 2.74 acre tract the following two (2) courses:

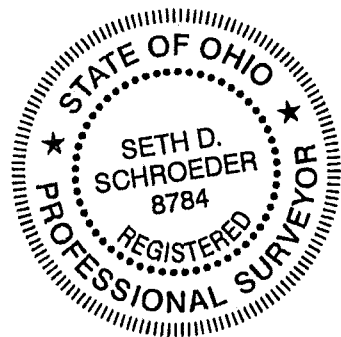
North 06°04'18" East a distance of 91.70 feet to a 5/8 inch rebar with ID cap set marking the Northeast corner of said 2.74 acre tract;

North 86°26'52" West a distance of 414.35 feet to a 5/8 inch rebar found on the centerline of said County Road 11, marking the Northwest corner of said 2.74 acre tract, passing a 5/8 inch rebar with ID cap found at 384.27 feet;

Thence North 00°39'27" West along said centerline of County Road 11 a distance of 74.67 feet to the POINT OF BEGINNING, said tract containing 10.915 acres of land, more or less, of which 3.728 acres lies within Section 32, 7.187 acres lies within Section 31, and 0.051 acres lies within County Road 11 right-of-way.

Subject to all legal highways, easements, and restrictions of use whether apparent and/or of record and is from an actual field survey performed in February, 2023, under the supervision of Ohio Professional Surveyor Seth D. Schroeder, Ohio Surveyor No. 8784.

Note: The basis for bearings, described herein, is Grid North, Ohio State Plane Coordinate System, North Zone, NAD83 (2011). Distances are expressed in U.S. Survey Feet. All other measurements are from angles and distances measured in a field survey by Bockrath & Associates Engineering and Surveying, LLC. on February 6, 2023.



Seth D. Schroeder 2-9-23
Registered Surveyor No. 8784
Seth D. Schroeder
Bockrath & Associates
Engineering and Surveying, LLC



2-9-2023



PARCEL 1

Bockrath & Associates Engineering and Surveying, LLC
115 S. Fair Ave., Suite A - Ottawa, OH 45875
(419) 523-5789

PARCEL 1 3.665 ACRES

Situated as being part of Section 31, Town 3, Range 14, Pleasant Township, Logan County, Ohio, also being part of an original 14.580 acre tract of land currently owned by Tom & Tamara Scott, and as recorded in Official Record Volume 1392, Page 5677 and more particularly described as follows:

Commencing at a railroad spike found at the intersection of the North line of said Section 31 and the centerline of County Road 11(60' R/W);

Thence South 00°39'27" East along the centerline of said County Road 11 a distance of 579.42 feet to a point marking the centerline intersection of said County Road 11 with County Road 43 (60' R/W) and marking the Southwest corner of a 2.74 acre tract of land as currently owned by Joshua C. and Lauren O. Adams, as recorded in Official Record Volume 1395, Page 2272;

Thence South 82°51'27" East along said centerline of County Road 43 and the South line of said 2.74 acre tract a distance of 380.08 feet to a mag nail set marking the Southeast corner of said 2.74 acre tract and the Southwest corner of said 14.580 acre tract and the POINT OF BEGINNING;

Thence North 06°04'18" East along the East line of said 2.74 acre tract and a West line of said 14.580 acre tract a distance of 221.24 feet to a 5/8 inch rebar with ID cap set, passing a point at 29.87 feet referenced by a 5/8 inch rebar found lying 0.18 feet South 83°55'42" East of said point;

Thence South 82°51'27" East along a new division a distance of 721.38 feet to a 5/8 inch rebar with ID cap set on the East line of said 14.580 acre tract and the West line of a 21.576 acre tract of land as currently owned by Pool Brothers Farms LLC as recorded in Official Record Volume 727, Page 97, Tract III;

Thence South 05°53'38" West along said East line a distance of 221.26 feet to a railroad spike found on the centerline of said County Road 43 marking the Southeast corner of said 14.580 acre tract and the Southwest corner of said 21.576 acre tract, passing a 5/8 inch rebar with ID cap found at 191.26 feet;



Thence North $82^{\circ}51'27''$ West along said centerline of County Road 43 and the South line of said 14.580 acre tract a distance of 722.06 feet to the POINT OF BEGINNING, said tract containing 3.665 acres of land, more or less, of which 0.497 acres lies within County Road 43 right-of-way.

Subject to all legal highways, easements, and restrictions of use whether apparent and/or of record and is from an actual field survey performed in February, 2023, under the supervision of Ohio Professional Surveyor Seth D. Schroeder, Ohio Surveyor No. 8784.

Note: The basis for bearings, described herein, is Grid North, Ohio State Plane Coordinate System, North Zone, NAD83 (2011). Distances are expressed in U.S. Survey Feet. All other measurements are from angles and distances measured in a field survey by Bockrath & Associates Engineering and Surveying, LLC. on February 6, 2023.



Seth D. Schroeder 2-9-23

Registered Surveyor No. 8784

Seth D. Schroeder

Bockrath & Associates

Engineering and Surveying, LLC

29-2023

APPROVED

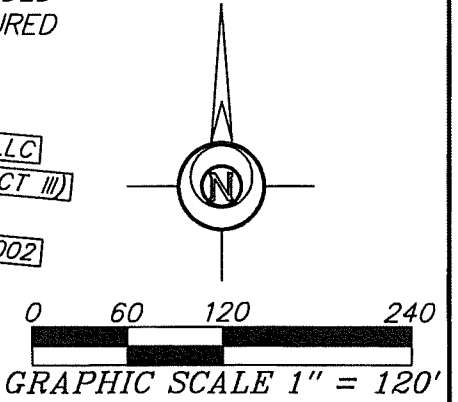
NOTE: THE BASIS FOR BEARINGS, SHOWN HEREON, IS GRID NORTH, OHIO STATE PLANE COORDINATE SYSTEM, NORTH ZONE, NAD83 (2011)

ACCESS MANAGEMENT NOTE: COUNTY ROAD 43 IS CLASSIFIED AS A MAJOR COLLECTOR ROAD. MINIMUM DRIVE SPACING IS 495' MINIMUM INTERSECTION SPACING IS 495' MINIMUM STOPPING SIGHT DISTANCE IS >495'

COUNTY ROAD 11 IS CLASSIFIED AS A LOCAL ROAD. MINIMUM DRIVE SPACING IS 250' MINIMUM INTERSECTION SPACING IS 250' MINIMUM STOPPING SIGHT DISTANCE IS >495'

LEGEND

- 5/8 INCH REBAR W/ID CAP SET
5/8 INCH REBAR W/ID CAP FOUND
RAILROAD SPIKE FOUND
5/8 INCH REBAR FOUND
MAG MAG NAIL SET
POB POINT OF BEGINNING
POC POINT OF COMMENCEMENT
R RECORDED
M MEASURED



THIS SURVEY WAS PERFORMED WITHOUT THE BENEFIT OF A TITLE EXAMINATION. BEYOND THE DEED DOCUMENTS CITED ON THE SURVEY DRAWING, THERE MAY BE RECORDED OR UNRECORDED EASEMENTS AND/ OR ENCUMBRANCES BENEFITING OR ENCUMBERING THE SURVEYED PROPERTY WHICH ARE NOT SHOWN ON THIS DRAWING.

TOM SCOTT, ETAL
OR VOL 299 - PG 551
5.001 ACRES
PN. 34-103-00-00-020-013
SURVEY #8817 1P

KELSEY D & STEVE P WEBB
OR VOL 1281 - PG 379 (TRACT I)
1.333 ACRES
PN. 34-103-00-00-020-014
SURVEY #8817 1P

TOM & TAMARA SCOTT
OR VOL 1392 - PG 5677
14.580 ACRES
PN. 34-103-00-00-020-012
SURVEY #8817 1P

POOL BROTHERS FARMS LLC
OR VOL 727 - PG 97 (TRACT III)
21.576 ACRES
PN. 34-103-00-00-021-002
SURVEY #7539 2P

PARCEL 2
10.915 ACRES

SURVEY OF 3.665 ACRES & 10.915 ACRES OUT OF THE TOM & TAMARA SCOTT, 14.580 ACRE TRACT IN OFFICIAL RECORD VOLUME 1392, PAGE 5677, SECTIONS 31 & 32, TOWN 3, RANGE 14, PLEASANT TWP., LOGAN COUNTY, OHIO

ALL PN. 34-103-00-00-020-012
PT. PN. 34-103-00-00-029-018
(0.051 AC. IN CR 11 RW)

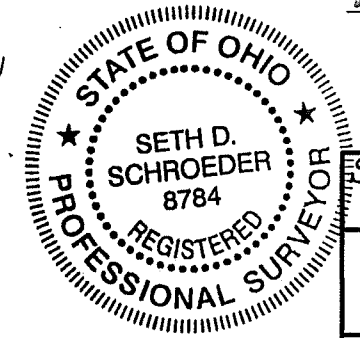
POOL BROTHERS FARMS LLC
OR VOL 727 - PG 97 (TRACT III)
21.576 ACRES
PN. 34-103-00-00-027-005
SURVEY #7539 2P

TOM & TAMARA SCOTT
OR VOL 1392 - PG 5677
14.580 ACRES
PN. 34-103-00-00-029-018
SURVEY #8817 1P

I HEREBY CERTIFY THIS TO BE A SURVEY MADE UNDER MY SUPERVISION AND THAT THE MONUMENTS ARE FOUND AND/OR SET AS INDICATED.

29-23 [Signature]

Date Seth D. Schroeder, P.S. Registered Surveyor No. 8784. 115 S. Fair Avenue, Suite A Ottawa, Ohio 45875



SURVEY PLAT FOR: LOGAN SCOTT

PART OF SECTIONS 31 & 32, TOWN 3, RANGE 14, PLEASANT TOWNSHIP LOGAN COUNTY, OHIO

Bockrath & Associates Engineering and Surveying, LLC 115 S. Fair Avenue, Suite A - Ottawa - Ohio Phone: 419.523.5789

INDEXED ON MAP 8017

LOGAN COUNTY ENGINEER'S MAP ROOM: SURVEY INDEX NUMBER X-43A SURVEY INDEX NUMBER X-11A

FILENAME: 23-025_SCOTT_sds_2-8-2023.scj DATE: 2/8/2023

