

REC'D 6-11-03 8M OK

Lee Surveying and Mapping Co., Inc.

Land Surveys • Topography • Subdivisions • Construction Layout

117 N. Madriver St.
Bellefontaine OH 43311



Phone: (937) 593-7335
Fax: (937) 593-7444

BELL 1.033 ACRE

Lying in Section 14, Town 1, Range 8, Pleasant Township, Logan County, Ohio.

Being out of the John E. Bell and Kelly E. Bell original 10.00 acre tract as deeded and described in Official Record 369, Page 777 of the Logan County Records of Deeds and more particularly described as follows:

Beginning at a 5/8 inch iron rod found with a Logan County Engineer Cap on the northwest corner of Section 14, in the center-line of County Highway 35 (40 feet wide).

THENCE, with the north line of Section 14, and the south line of the Max Carey 82.26 acre tract (Vol. 318, Pg. 170), N 89°-58'-09"E, a distance of 200.00 feet to a 5/8 inch iron rod set, passing a 5/8 inch iron rod set at 20.00feet.

THENCE, S 00°-00'-00"E, a distance of 225.11 feet to a 5/8 inch iron rod set.

THENCE, N 90°-00'-00"W, a distance of 200.00 feet to a MAG nail set, passing a 5/8 inch iron rod set at 179.98 feet.

THENCE, with the west line of Section 14 and the center-line of County Highway 35, N 00°-00'-00"E, a distance of 225.00 feet to the point of beginning.

Containing 1.033 acre, of which 0.103 acre is within highway right-of-way.

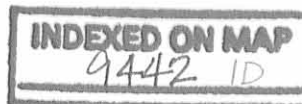
The basis for bearings is the west line of Section 14, being N 00°-00'-00"E, and all other bearings are from angles and distances measured in a field survey by Lee Surveying and Mapping Co., Inc. on May 30, 2003.

Description prepared by:



ORIGINAL STAMP IN GREEN

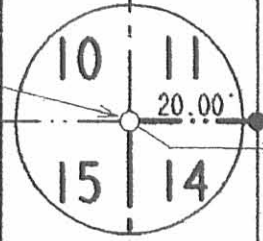
A handwritten signature in black ink, appearing to read 'Jeffrey I. Lee'.
Jeffrey I. Lee
Professional Surveyor 6359
June 3, 2003



L-3599

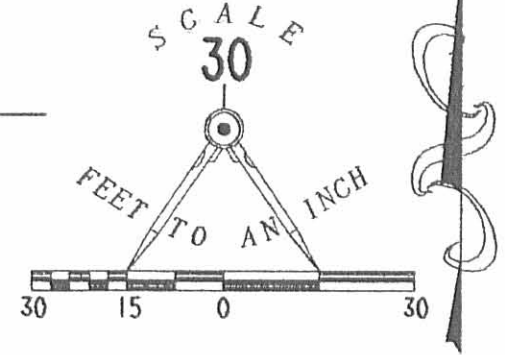
REC'D 6-11-03 SML

LOGAN COUNTY
ENGINEER CAP



MAX CAREY
82.26 ACRE TRACT
VOL. 318, PG. 170

N 89° 58' 09" E
200.00'



LEGEND

- 5/8 INCH IRON ROD SET
- 5/8 INCH IRON ROD FOUND
- ⊙ MAG NAIL SET

COUNTY HIGHWAY 35 (40')
(BASIS FOR BEARINGS)
N 00° 00' 00" E
225.00'

1.033 ACRE
OF WHICH 0.103 ACRE IS WITHIN
THE HIGHWAY RIGHT-OF-WAY

SURVEY OF
1.033 ACRE OUT OF THE
JOHN E. BELL AND KELLY E. BELL
ORIGINAL 10.00 ACRE TRACT
OFFICIAL RECORD 369, PAGE 777
SECTION 14, TOWN 1, RANGE 8
PLEASANT TOWNSHIP
LOGAN COUNTY, OHIO

225.11'
S 00° 00' 00" E

20.02'

200.00'
N 90° 00' 00" W

JOHN E. BELL
AND KELLY E. BELL
ORIGINAL 10.00 ACRE TRACT
O.R. 369, PG. 777

SURVEYED BY:

JEFFREY I. LEE
PROFESSIONAL SURVEYOR 6359
MAY 30, 2003



ORIGINAL STAMP IN GREEN

COPYRIGHT 2003 BY:
LEE SURVEYING & MAPPING CO., INC.
117 North Madriver Street
BELLEFONTAINE, OHIO 43311
(937) 593-7335

D 410 EBELL L-3599-3

2 WORKING DAYS
BEFORE YOU DIG
CALL TOLL FREE **800-362-2764**
OHIO UTILITIES PROTECTION SERVICE.

INDEXED ON MAP
9442 IP