

Ramsey Survey Richland Township Sept. 1951 1.53 Acres

The following described land in Richland Township, Logan County Ohio and being in V.N.S. 9989

Beginning in the center of County Road Number 104 and the center of State Highway Number 593 (State Route Number 273) thence with the center of State Highway Number 593 S. 83° - 36' W. 333.3 feet thence N. 5° - 14' W. 200.8 feet to a wood post the last described line passing an iron at the North side of the State Road at 30.0 feet and said line also being the East side of a private lane thence N. 83° - 25' E. 327.0 feet to the center of Road Number 104 the last described line passing an iron pipe at the West side of Road Number 104 said pipe being 25.0 feet from the center line of the road thence with the center of Road Number 104 S. 6° - 54' E. 201.9 feet to the place of beginning said tract containing 1.53 acres.

INDEXED ON MAP
2620 1D

cc
E.K.Core
Logan County Engineer.

Ramsey Survey Richland Township July 1961 1.31 Acres.

The following described land in Richland Township, Logan County, Ohio and being in W.M.S. 9989

Beginning at a small iron in the center of County Road Number 104 and in the center of State Route Number 273.

Thence with the center of said State Route Number 273 S. 83 - 36 W. 357.30 feet to a small iron for the true beginning point of this survey. The last described line passing mid way between two concrete right of way posts at 196.05 feet and also passing the S.W. corner of H.D. Whitten's 1.53 acre tract at 333.30 feet.

Thence again with the center line of State Route Number 273 S. 83 - 36 W. 201.80 feet to a small iron.

Thence N. 6 - 24 W. 278.50 feet to an iron. The last described line passing an iron at the north side of the State Highway at 30.00 feet.

Thence N. 83 - 06 E. 206.00 feet to a round wood post. The last described line passing a round wood post at the S.W. corner of a barn lot at 128.00 feet.

Thence S. 5 - 34 E. 280.40 feet to the place of beginning. The last described line passing an iron at the north side of the State Highway at 250.40 feet.

The above described containing 1.31 acres and being out of the south side of William E. Ramsey's present 59.63 acre tract.

cc
Logan County Engineer

on Plat Book

INDEXED ON MAP

2620

RD

Bacon & Associates

Engineering and Surveying

4600 Kitamat Trail

Phone: (419) 999-3756
FAX: (419) 999-2523

Lima, Ohio 45805

DESCRIPTION (PARCEL A)

Being a parcel of land in VMS 9989 on the south side of S.R. 273, Richland Township and in the Village of Bell Center, Logan County, Ohio, more particularly described as follows:

Beginning at an existing 1" iron rod in a monument box at the southwest corner of VMS 9989;

Thence N.0°-00'-00"E. (assumed bearing) on the west line of VMS 9989 and with the centerline of T.R. 49, 1698.17' to an existing P.K. nail on the centerline of S.R. 273;

Thence S.86°-27'-28"E. on the centerline of S.R. 273, 653.11' to a set PK nail at the P.C. of a curve to the left;

Thence northeasterly on said centerline of a curve to the left, 222.15' to a set PK nail at the P.T. of the curve, said curve having a radius of 2864.93' and an L.C. of S.88°-40'-45"E., 222.09' and a $\Delta = 4^\circ-26'-34''$;

Thence N.89°-05'-58"E. on the centerline of S.R. 273, 1663.80' to a set PK nail;

Thence S.0°-52'-08"E. on the west line of Robert E. Crockett, etal, 1.49 acres as described in O.R. 301-840 (Tract II), 330.00' to a set #5 rebar, passing an existing 1" iron rod at 30.07';

Thence N.89°-07'-42"E. on the south line of the Crockett parcel, 200.00' to a set #5 rebar;

Thence S.0°-52'-18"E. on the west line of the Robert E. Crockett, etal 6.70 acre tract, D.V. 301-840(Tract I), 499.60' to the center of Liggett Ditch, passing over a set #5 rebar at 469.10';

Thence N.53°-25'-07"E. on the centerline of said ditch and the south side of the Crockett parcel, 652.80' to a point;

Thence N.38°-19'-07"E. on the centerline of said ditch and south side of the Crockett parcel, 74.70' to a point;

Thence S.1°-32'-48"E. on the west corporation line of Belle Center and the west line of Lois Roebuck, etal, 4.640 acres, D.V. 387-161, 545.07' to an existing 10" diameter wood post, passing a set #5 rebar at 40.00';

Thence S.0°-43'-52"E. on the west corporation line and the west line of George W. Wilkins, 1.472 acres, O.R. 369-156, 179.49' to an existing 10" diameter wood post;

Thence S.1°-19'-43"E. on the west corporation line and the west line of parcels of George W. Wilkins, 0.720 acres, D.V. 404-213 and Dale Deardurff, 0.31 acre, O.R. 333-090, 149.16' to a set #5 rebar;

Thence N.78°-12'-30"E. on the south line of the Dale Deardurff 0.31 acre parcel, O.R. 333-090 and the south line of the Billy J. & Joan Shelly Baughman, 0.56 acre parcel as recorded in O.R. 305-758, 512.47' to an existing PK nail on the centerline of Main Street, passing over a set #5 rebar at 482.53';

Thence S.30°-15'-37"E. on the centerline of Main Street, 26.36' to a set PK nail;

Thence S.78°-12'-30"W. on the north line of the Richard A. Mullet, 3.60 acre parcel, O.R. 28-639, 525.44' to a set #5 rebar, passing over a set #5 rebar at 36.98';

Thence S.1°-19'-43"E. on the west corporation line and the west line of the Sandra K. Fay 2.830 acre parcel, O.R. 211-859, 353.00' to an existing railroad tie corner post;

Thence N.89°-57'-39"W. on the south line of VMS 9989 and the north line of the Helen I. Bates 21.97 acre parcel, O.R. 225-675, 619.85' to an existing #5 rebar;

Thence S.88°-58'-43"W. on the south line of VMS 9989 and the north line of J. Robert Renick, Jr. & Marilyn Renick, 298.34 acres, O.R. 58-130, 2730.43' to the POINT OF BEGINNING, passing over a set #5 rebar at 2710.43';

The above-described parcel contains 116.226 acres, more or less, of which 2.565 acres are within the road R/W subject to all legal highways and easements of record. There are 115.928 ac. in Richland Township and 0.298 ac. in the Village of Belle Center.

Being all of the Robert E. Stump, etux. 116.31 acre parcel and 0.28 acre parcel south of S.R. 273 as described in D.V. 409-143 (Tract I & Tract II) in VMS 9989.

This description based on an actual field survey by Clayton T. Bacon, Registered Surveyor No. 6179 on 12-28-98.



Clayton T. Bacon
3-3-99

3D-1
INDEXED ON MAP
2620

Bacon & Associates

4600 Kitamat Trail

Engineering and Surveying

Phone: (419) 999-3756

FAX: (419) 999-2523

Lima, Ohio 45805

DESCRIPTION (PARCEL B)

Being a parcel of land in VMS 9989 north of S.R. 273, Richland Township, Logan County, Ohio, more particularly described as follows:

Commencing for reference at any existing 1" rod in a monument box at the southwest corner of VMS 9989;

Thence N.0°-00'-00"E. (assumed bearing) on the west line of VMS 9989 and with the centerline of T.R. 49, 1698.17' to an existing PK nail on the centerline of S.R. 273, the POINT OF BEGINNING, of the parcel to be described;

Thence N.0°-53'-48"W. on the west line of VMS 9989 and the east line of Wayne K. Detling, etux. 286.642 acres, O.R. 251-725, 1597.69' to a set #5 rebar, passing over an existing 8" wood corner post at 30.00';

Thence N.88°-56'-44"E., with the south line of Douglas C. Ritchey, 40.91 acre, O.R. 309-307, 1363.42' to set PK nail on the centerline of C.R. 104, passing over a set #5 rebar at 1330.38';

Thence S.41°-53'-15"E. on the centerline of C.R. 104, 474.28' to an existing #5 rebar;

Thence S.1°-21'-47"E. on the centerline of C.R. 104, 1100.68' to a set PK nail;

Thence S.88°-53'-54"W. on the north line of Charles McCarren, 1.530 acres, D.V. 365-504, 327.00' to a set #5 rebar, passing over a set #5 rebar at 25.00';

Thence S.0°-25'-58"W. on the east line of an ingress-egress easement of approximate width of 24.00' and the west line of said McCarren, 200.80' to a set PK nail on the centerline of S.R. 273, passing over a set #5 rebar at 170.80';

Thence S.89°-05'-58"W. on said centerline, 24.00' to a set PK nail;

Thence N.0°-02'-39"W. on the west line of said easement and the east line of Ronald McCarren, 1.31 acres, O.R. 377-531, 280.40' to a set #5 rebar, passing over a set #5 rebar at 30.00';

Thence S.88°-34'-47"W. on the north line of Ronald McCarren, 206.00' to a set #5 rebar;

Thence S.0°-54'-02"E. on the west line of the Ronald McCarren parcel, 278.50' to a set PK nail on the centerline of S.R. 273, passing over a set #5 rebar at 248.50';

Thence S.89°-05'-58"W. on the centerline of S.R. 273, 252.94' to a set PK nail at the P.C. of a curve to the right;

Thence northwesterly on the centerline of a curve to the right, 222.15' to a set PK nail at the P.T., said curve having a radius of 2864.93' and an L.C. of N.88°-40'-45"W., 222.09' and $\Delta = 4°-26'-34"$;

Thence N.86°-27'-28"W. on said centerline, 653.11' to the POINT OF BEGINNING.

The above-described parcel contains 59.302 acres, more of less, of which 0.930 acres are within the road R/W subject to all legal highways and easements of record.

Being all of the Robert E. Stump, etux. 58.320 acre Parcel north of S.R. 273 as described in D.V. 409-143 (Tract III) in V.M.S. 9989.

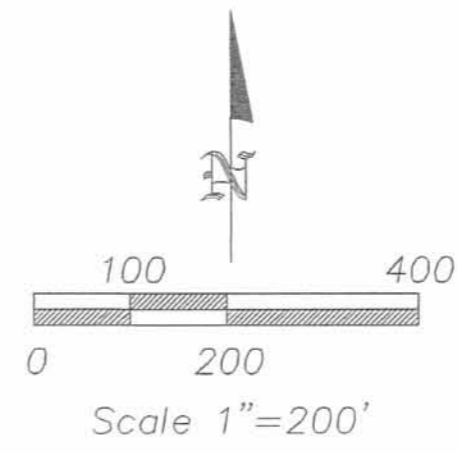
This description is based on an actual field survey by Clayton T. Bacon, Registered Surveyor No. 6179, on 12-28-98.



Clayton T. Bacon

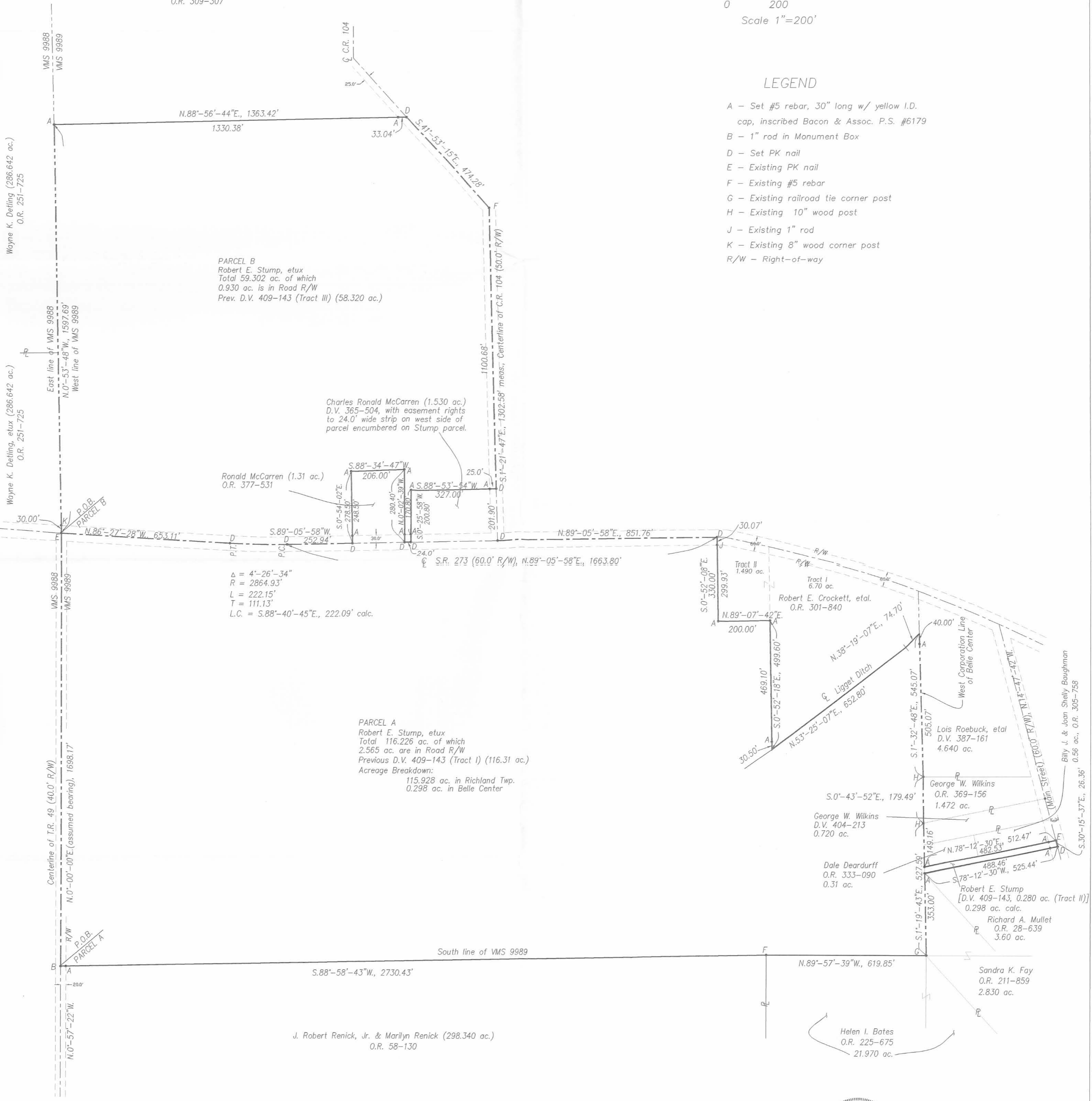
3D-2
INDEXED MAP
2620

Douglas C. Ritchey (40.91 ac.)
O.R. 309-307



LEGEND

- A - Set #5 rebar, 30" long w/ yellow I.D. cap, inscribed Bacon & Assoc. P.S. #6179
- B - 1" rod in Monument Box
- D - Set PK nail
- E - Existing PK nail
- F - Existing #5 rebar
- G - Existing railroad tie corner post
- H - Existing 10" wood post
- J - Existing 1" rod
- K - Existing 8" wood corner post
- R/W - Right-of-way



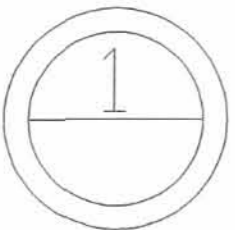
$\Delta = 4'-26'-34"$
 $R = 2864.93'$
 $L = 222.15'$
 $T = 111.13'$
 $L.C. = S.88^\circ-40'-45"E., 222.09'$ calc.

NOTE: The requirement in the Ohio Minimum Standards For The Land Surveys Section 4733-37-04 of the Ohio Administrative Code and the accompanying sample plat of survey pertaining to labeling of boundary lines as record, measured or calculated distances have been deleted from this survey at the request of the Logan County Engineer's representative in order to obtain survey approval.



Clayton J. Bacon
Clayton J. Bacon, Reg. Sur. #6179 3-3-99

This plat represents an actual field survey performed on 12-28-98.



Revisions: jb 1-15-99

mr 2-5-99

Drawn: jbarhorst

Date: 1-4-99

File: 313-98

Spencer -Stump
VMS 9989
Richland Twp., Logan County

Bacon & Associates
4600 Kitamat Trail Lima, Ohio 45805
Office: (419) 999-3756 - Fax: (419) 999-2523