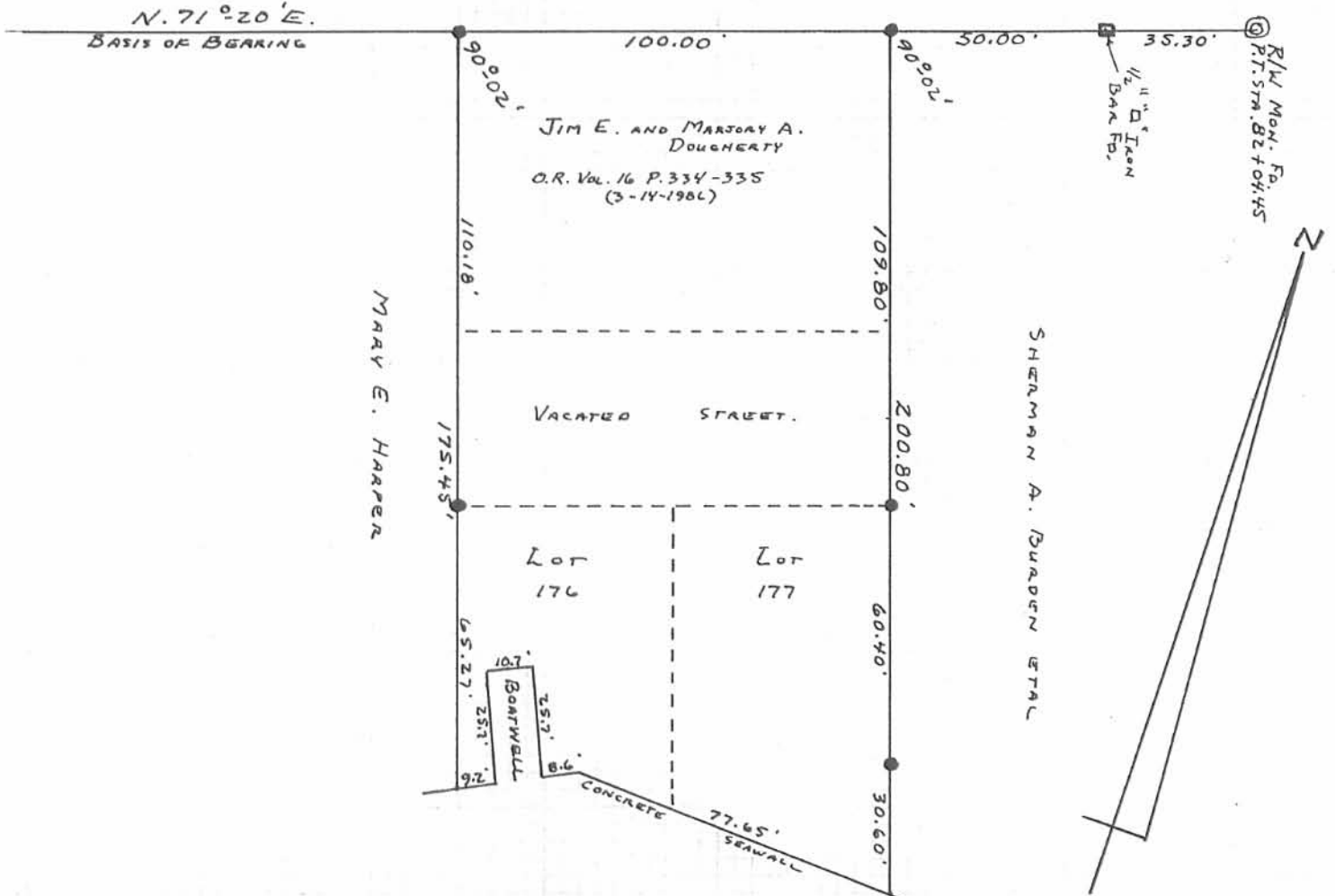


Received 6-17-88

MAP ROOM.

S. R. No. 273 - 50' R/W.

LONG ISLAND ROAD



INDIAN LAKE

SCALE: 1" = 40'

● - 5/8" X 30" REBARS FD. OR SET.

INDEXED ON MAP
7785 1P

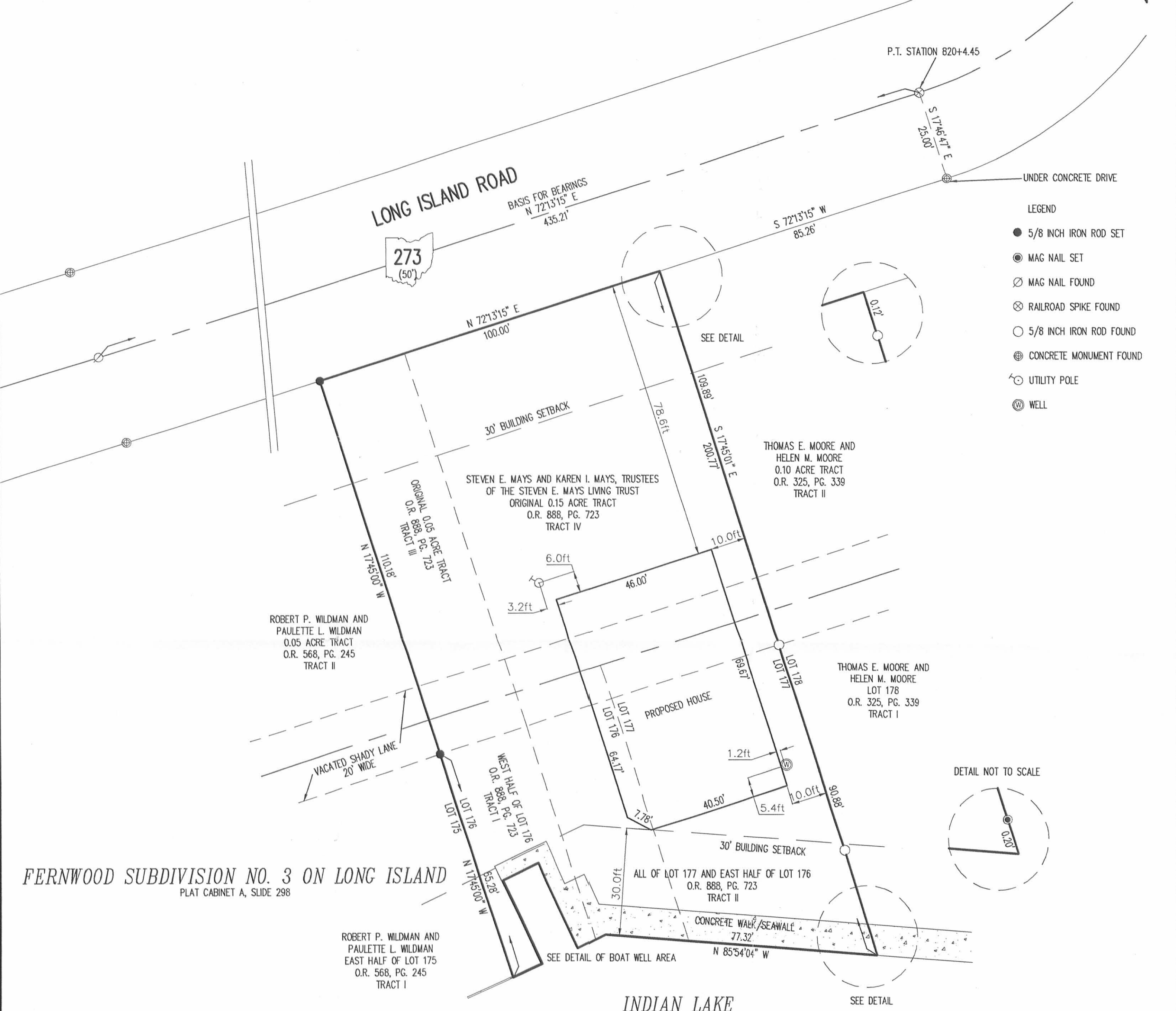
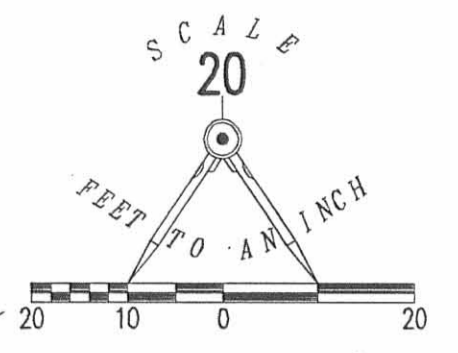


DOUGHERTY SURVEY
 V.M.S. No. 13393
 Lots No. 176-177
 FERNWOOD SUBDIVISION No. 3
 RICHLAND TOWNSHIP
 LOGAN COUNTY, OHIO
 JUNE 14, 1988

Daniel E. Gilbert
 DANIEL E. GILBERT, P.S.,
 REG. SUR. No. 5402
 400 N. PARK ST.
 BELLEFONTAINE, OHIO
 43311

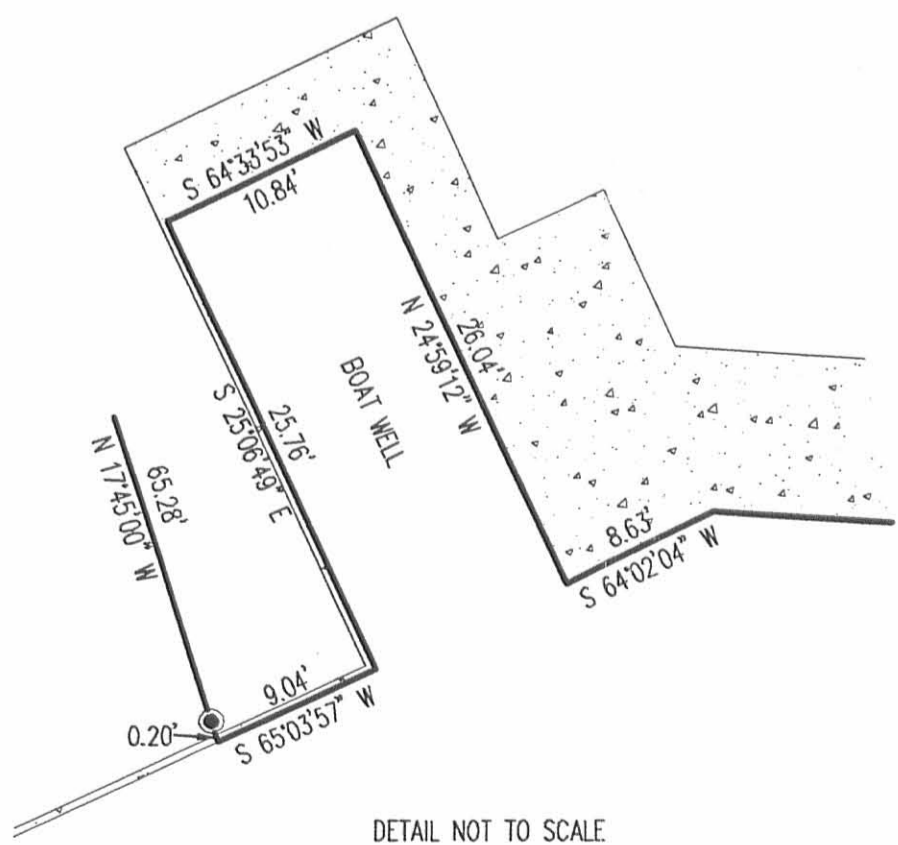
088-01

REID 10-2-07 SWM OK



- LEGEND
- 5/8 INCH IRON ROD SET
 - ⊙ MAG NAIL SET
 - ⊗ MAG NAIL FOUND
 - ⊗ RAILROAD SPIKE FOUND
 - 5/8 INCH IRON ROD FOUND
 - ⊕ CONCRETE MONUMENT FOUND
 - ⊖ UTILITY POLE
 - ⊙ WELL

FERNWOOD SUBDIVISION NO. 3 ON LONG ISLAND
PLAT CABINET A, SLIDE 298



DETAIL NOT TO SCALE

A RETRACEMENT SURVEY OF THE
 STEVEN E. MAYS AND KAREN I. MAYS, TRUSTEES
 OF THE STEVEN E. MAYS LIVING TRUST
 WEST HALF OF LOT 176
 ALL OF LOT 177 AND THE EAST HALF OF LOT 176
 FERNWOOD SUBDIVISION NO. 3 ON LONG ISLAND
 PLAT CABINET A, SLIDE 298
 ORIGINAL 0.05 ACRE TRACT
 ORIGINAL 0.15 ACRE TRACT
 OFFICIAL RECORD 888, PAGE 723
 TRACTS I, II, III AND IV
 VIRGINIA MILITARY SURVEY 13393
 RICHLAND TOWNSHIP
 LOGAN COUNTY, OHIO



SURVEYED BY:
William K. Bruce
 WILLIAM K. BRUCE
 PROFESSIONAL SURVEYOR 7437
 SEPTEMBER 27, 2007
 COPYRIGHT 2007 BY:
 LEE SURVEYING & MAPPING CO., INC.
 117 North Madriver Street
 BELLEFONTAINE, OHIO 43311
 (937) 593-7335
 surveys@lsmcinc.us
 ADW D0907 4527097 L-4527097-2

2 WORKING DAYS
BEFORE YOU DIG
 CALL TOLL FREE 800-362-2764
 OHIO UTILITIES PROTECTION SERVICE

INDEXED ON MAP
1785 2P

REC'D 8-2-10 SML

Lee Surveying and Mapping Co., Inc.

Land Surveys • Topography • Subdivisions • Construction Layout

117 N. Madriver St.
Bellefontaine OH 43311



Phone: (937) 593-7335
Fax: (937) 593-7444
surveys@lsminc.us

STATE OF OHIO INDIAN LAKE RESERVOIR LANDS 0.005 ACRE

Lying in Virginia Military Survey 13393, Richland Township, Logan County, Ohio.

Being out of the State of Ohio Indian Lake Reservoir Lands and being more particularly described as follows:

Commencing on a 5/8 inch iron rod found on the northeast corner of Lot 177 of Fernwood Subdivision No. 3 on Long Island (Plat Cabinet A, Slide 298).

THENCE, with the east line of Lot 177, S 17°-45'-01"E, a distance of 88.00 feet to a point at the TRUE POINT OF BEGINNING, passing a 5/8 inch iron rod found at 60.47 feet.

THENCE, with the east line of Lot 177 extended, S 17°-45'-01"E, a distance of 2.88 feet to a point on the face of a concrete seawall, passing a MAG nail found at 2.68 feet.

THENCE, with the face of the concrete seawall, N 85°-54'-04"W, a distance of 68.45 feet to a point on the south line of Lot 176.

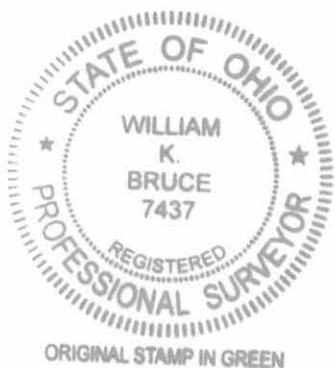
THENCE, with the south line of Lot 176, N 75°-29'-17"E, a distance of 13.55 feet to a point.

THENCE, with the south line of Lot 177, S 84°-09'-59"E, a distance of 54.56 feet to the point of beginning.

Containing 0.005 acre.

Property is subject to any and all previous easements and rights-of-way of record.

The basis for bearings is the center-line of Ohio Route 273, being N 72°-13'-15"E, and all other bearings are from angles and distances measured in a field survey by Lee Surveying and Mapping Co., Inc. on July 22, 2010.



Description prepared by:

William K. Bruce
Professional Surveyor 7437
July 26, 2010

4527710



REC'D 8-2-10 SML/OK

Lee Surveying and Mapping Co., Inc.

Land Surveys • Topography • Subdivisions • Construction Layout

117 N. Madriver St.
Bellefontaine OH 43311



Phone: (937) 593-7335
Fax: (937) 593-7444
surveys@lsmc.us

STATE OF OHIO INDIAN LAKE RESERVOIR LANDS 13.117 SQUARE FEET

Lying in Virginia Military Survey 13393, Richland Township, Logan County, Ohio.

Being out of the State of Ohio Indian Lake Reservoir Lands and being more particularly described as follows:

Commencing on a 5/8 inch iron rod found on the northwest corner of Lot 176 of Fernwood Subdivision No. 3 on Long Island (Plat Cabinet A, Slide 298).

THENCE, with the west line of Lot 176, S 17°-45'-00"E, a distance of 63.00 feet to a 5/8 inch iron rod found at the TRUE POINT OF BEGINNING.

THENCE, with the south line of Lot 176, N 75°-29'-17"E, a distance of 8.89 feet to a point on the face of a concrete seawall.

THENCE, with the face of the concrete seawall, the following two courses:

S 25°-06'-49"E, a distance of 0.66 feet to a point.

S 65°-03'-57"W, a distance of 9.04 feet to a point.

THENCE, with the west line of Lot 176 extended, N 17°-45'-00"W, a distance of 2.28 feet to the point of beginning, passing a MAG nail found at 0.20 feet.

Containing 13.117 square feet.

Property is subject to any and all previous easements and rights-of-way of record.

The basis for bearings is the center-line of Ohio Route 273, being N 72°-13'-15"E, and all other bearings are from angles and distances measured in a field survey by Lee Surveying and Mapping Co., Inc. on July 22, 2010.

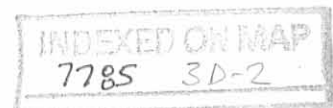
Description prepared by:

William K. Bruce
Professional Surveyor 7437
July 26, 2010



ORIGINAL STAMP IN GREEN

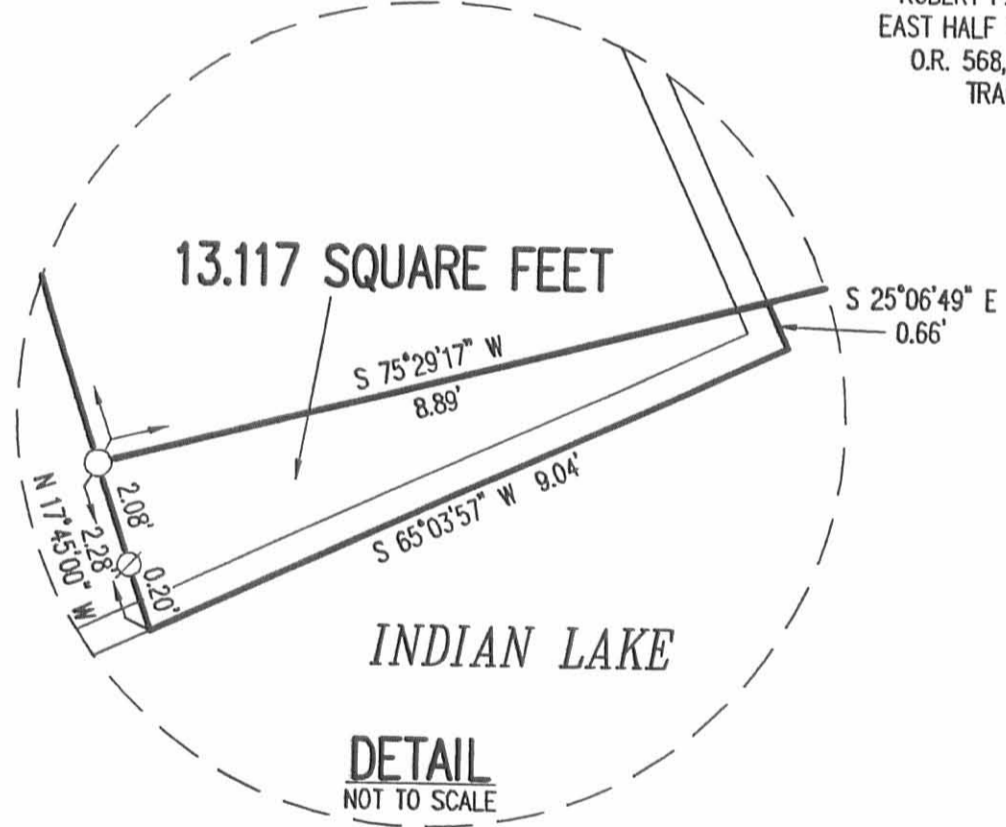
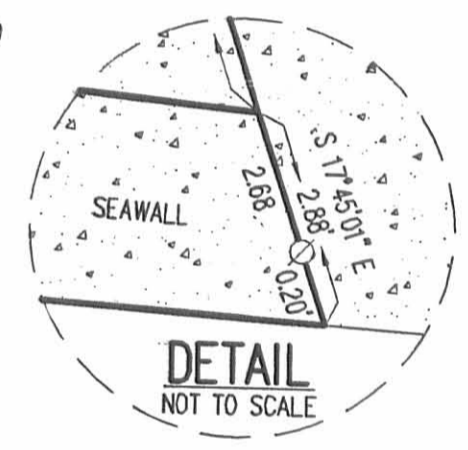
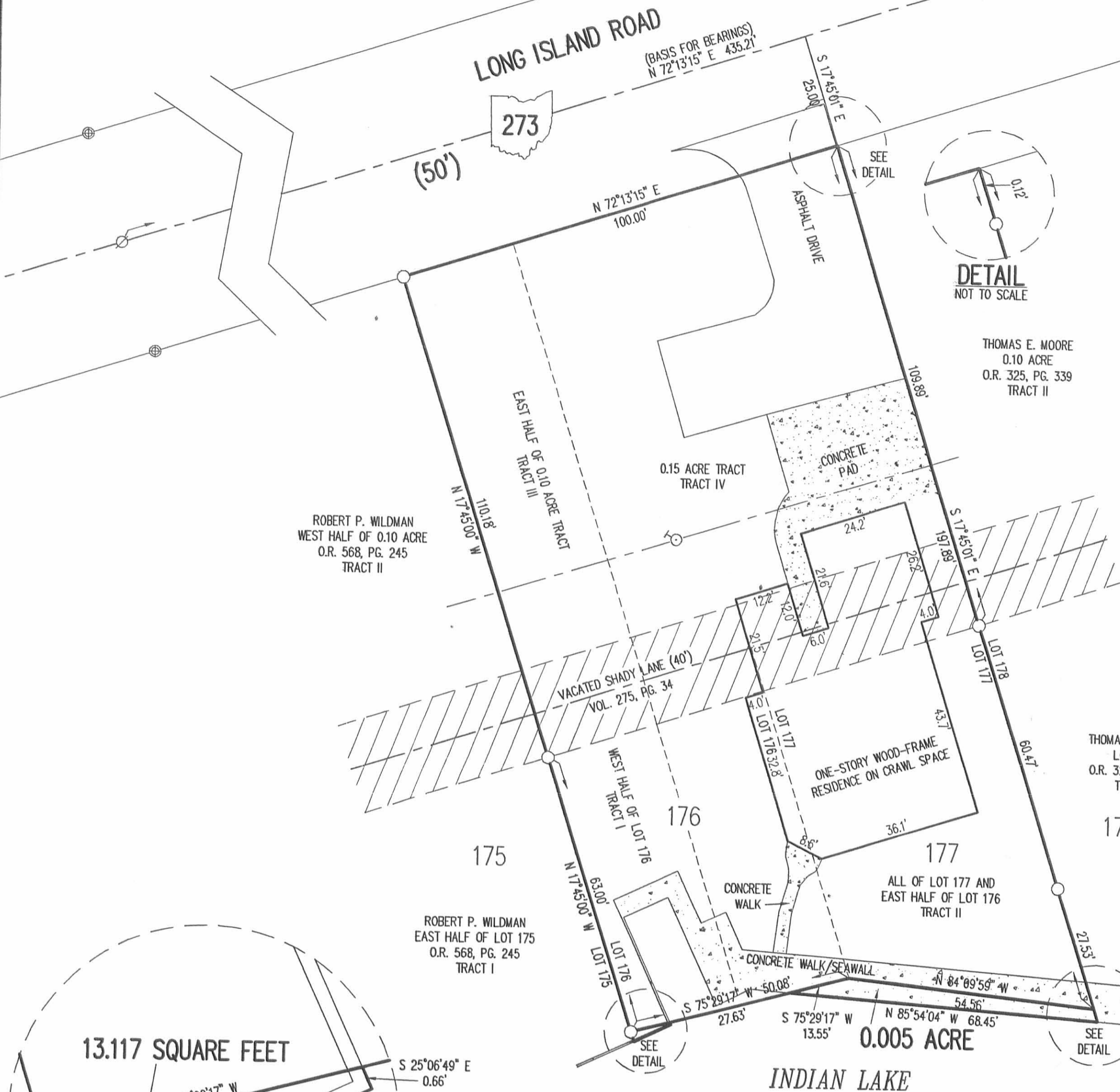
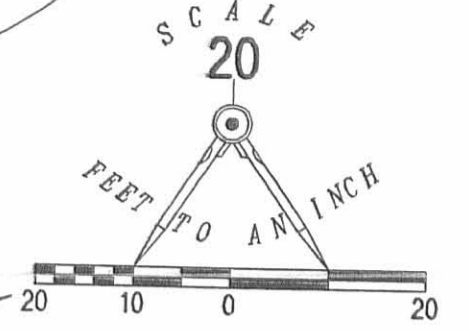
4527710



REC'D 8-2-10 smy dk

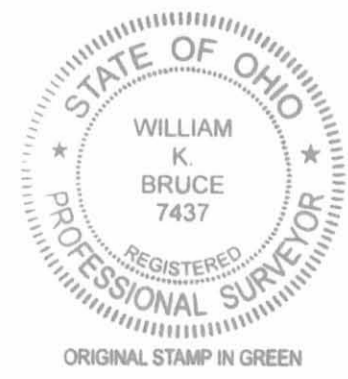
LEGEND

- ⊗ MAG NAIL FOUND
- ⊗ RAILROAD SPIKE FOUND
- 5/8 INCH IRON ROD FOUND
- ⊕ CONCRETE MONUMENT FOUND
- ⊙ UTILITY POLE



RETRACEMENT SURVEY OF THE
STEVEN E. MAYS AND
KAREN I. MAYS, TRUSTEES
WEST HALF OF LOT 176,
LOT 177 AND THE EAST HALF OF LOT 176
FERNWOOD SUBDIVISION NO. 3 ON LONG ISLAND
PLAT CABINET A, SLIDE 298
EAST HALF OF A 0.10 ACRE TRACT
AND ALL OF A 0.15 ACRE TRACT
OFFICIAL RECORD 876, PAGE 207
TRACTS I, II, III AND IV
AND SURVEY OF TWO TRACTS OUT OF THE
INDIAN LAKE RESERVOIR LANDS
VIRGINIA MILITARY SURVEY 13393
RICHLAND TOWNSHIP
LOGAN COUNTY, OHIO

SURVEYED BY:



William K. Bruce
WILLIAM K. BRUCE
PROFESSIONAL SURVEYOR 7437
JULY 22, 2010
COPYRIGHT 2007 BY:
LEE SURVEYING & MAPPING CO., INC.
117 North Madriver Street
BELLEFONTAINE, OHIO 43311
(937) 593-7335
surveys@lisminc.us
ADW/KSS D0710 4527710 L-4527-2

2 WORKING DAYS
BEFORE YOU DIG
CALL TOLL FREE 800-362-2764
OHIO UTILITIES PROTECTION SERVICE

INDEXED ON MAP
7785 3P