

COVENANTS AND RESTRICTIONS

1. LAND USE: THE LOTS WITHIN O'CONNOR'S POINT ALLOTMENT SHALL BE USED FOR SINGLE FAMILY RESIDENTIAL PURPOSES ONLY.
2. HEIGHT RESTRICTIONS: NO BUILDING SHALL BE ERRECTED, ALTERED, PLACED OR PERMITTED TO REMAIN ON ANY LOT THAT WOULD EXCEED TWO AND ONE-HALF STORIES IN HEIGHT...

6. BUILDING LOCATION: SETBACKS FROM WATER LINE: ELEVATION: FENCES: NO BUILDINGS SHALL BE LOCATED ON ANY LOT NEARER TO THE FRONT LINE OR WATER LINE OR NEARER TO A SIDE STREET THAN THE MINIMUM BUILDING SETBACK LINES SHOWN ON THE RECORDED PLAT...

15. BOAT DOCKS AND WELLS: NO MORE THAN ONE (1) DOUBLE BOAT DOCK WILL BE PERMITTED ON ANY OF THE LOTS WITHIN O'CONNOR'S POINT ALLOTMENT. BOAT DOCKS OR WELLS SHALL NOT USE SOLID WALLS AND SHALL USE A GABLE ROOF WHICH PITCH SHALL NOT EXCEED A 2:12 RATIO OR 4:12 RATIO...

EACH OWNER COVENANTS THAT NO EXCAVATION SHALL BE MADE, NO BUILDING SHALL BE ERRECTED AND NO MATERIALS SHALL BE STORED UPON THE PREMISES BY SAID OWNER OR HIS AGENTS, HEIRS, SUCCESSORS OR ASSIGNS UNTIL THE GRANTOR SHALL HAVE APPROVED SAID PLANS AND SPECIFICATIONS IN WRITING WHICH APPROVAL SHOULD NOT BE UNREASONABLY WITHHELD...

7. TEMPORARY RESIDENCE: NO STRUCTURE OF A TEMPORARY CHARACTER, TRAILER, BASEMENT, TENT, SHACK, GARAGE, BARN, OR OTHER OUTBUILDING SHALL BE USED ON ANY LOT AT ANY TIME AS A RESIDENCE, EITHER TEMPORARILY OR PERMANENTLY.

17. ANTENNAS: IF CABLE TV IS AVAILABLE, TELEVISION AND RADIO ANTENNAS, INCLUDING SATELLITE DISHES, WHETHER ROOF-TOP OR GROUND MOUNTED, SHALL BE PROHIBITED ON THE EXTERIOR OF ANY HOUSE OR LOT...

EACH LOT OWNER FURTHER ACKNOWLEDGES THAT IN CONSIDERING PLANS AND SPECIFICATIONS SUBMITTED, GRANTOR WILL TAKE INTO CONSIDERATION PLANS AND SPECIFICATIONS ALREADY APPROVED OR IN THE PROCESS BEING REVIEWED FOR APPROVAL OF PROPOSED IMPROVEMENTS ON ADJACENT LOTS AND EFFECT UPON THE NEIGHBORING PROPERTIES...

8. TEMPORARY STRUCTURE: NO TEMPORARY BUILDING, TRAILER, GARAGE, STORAGE BUILDING OR STRUCTURE SHALL BE PLACED UPON ANY LOT FOR STORAGE WITHOUT THE EXPRESS WRITTEN CONSENT OF GRANTOR.

18. GRADING AND DRAINAGE: NO CONSTRUCTION, GRADING OR OTHER IMPROVEMENTS SHALL BE MADE TO ANY LOT IF SUCH IMPROVEMENT WOULD INTERFERE WITH OR OTHERWISE ALTER THE GENERAL GRADING AND DRAINAGE PLAN OF THE SUBDIVISION OR ANY EXISTING SWALES, FLOODWAYS, OR OTHER DRAINAGE CONFIGURATIONS.

EACH LOT OWNER FURTHER AGREES THAT NO TREE REMOVAL, EXCAVATION, CONSTRUCTION OR OTHER SITE WORK WHICH WOULD IN ANY WAY ALTER THE LOT FROM ITS PRESENT STATE SHALL BE COMMENCED UNTIL THE PLANS AND SPECIFICATIONS SHALL FIRST HAVE BEEN APPROVED IN WRITING BY GRANTOR IN ACCORDANCE HEREWITH.

11. LOT MAINTENANCE AND WASTE DISPOSAL: NO LOT SHALL BE USED OR MAINTAINED AS A DUMPING GROUND FOR RUBBISH, TRASH, GARBAGE, OR OTHER WASTE SHALL NOT BE KEPT EXCEPT IN SANITARY CONTAINERS...

19. OWNERS ASSOCIATION LIEN: EACH OWNER OF LOTS IN O'CONNOR'S POINT ALLOTMENT SHALL AUTOMATICALLY BECOME A MEMBER OF THE OWNERS ASSOCIATION OF O'CONNOR'S POINT ALLOTMENT WHICH SHALL BE ESTABLISHED FOR THE PURPOSE, AMONG OTHER THINGS, OF MAINTAINING LOTS 27, 28, 29, AND 30 AS SET FORTH ON THE RECORDED PLAT OF SAID SUBDIVISION...

WITHIN THE EASEMENT AREAS DESIGNATED ON THE RECORDED PLAT OF O'CONNOR'S POINT ALLOTMENT, NO STRUCTURE, PLANTING OR OTHER MATERIAL SHALL BE PLACED OR PERMITTED TO REMAIN WHICH MAY DAMAGE OR INTERFERE WITH CHANNELS OR WATER OVER SAID EASEMENT AREAS...

12. CLOTHES LINE: NO CLOTHING OR ANY OTHER HOUSEHOLD FABRICS SHALL BE HUNG IN THE OPEN ON ANY LOT, AND NO OUTSIDE CLOTHES DRYING OR AIRING FACILITIES SHALL BE PERMITTED.

20. THESE RESTRICTIONS SHALL RUN WITH THE LAND AND SHALL BE BINDING UPON ALL PARTIES UNTIL 2017, AFTER WHICH TIME SAID RESTRICTIONS SHALL BE AUTOMATICALLY EXTENDED FOR SUCCESSIVE PERIODS OF TEN YEARS UNLESS AN INSTRUMENT SIGNED BY TWO-THIRDS OF THE THEN OWNERS OF THE LOTS IN SAID SUBDIVISION HAS BEEN RECORDED, AGREEING TO CHANGE SAID RESTRICTIONS IN WHOLE OR IN PART.

EACH LOT OWNER FURTHER ACKNOWLEDGES THAT THE CONSTRUCTION OF ANY HOME SHALL BE COMPLETED WITHIN SIX (6) MONTHS OF THE DATE THE CONSTRUCTION IS COMMENCED ON SAID HOME.

13. VEHICLES NOT IN USE: NO AUTOMOBILE OR MOTOR-DRIVEN VEHICLE SHALL BE LEFT UPON ANY LOT FOR A PERIOD LONGER THAN THIRTY (30) DAYS, WITHIN A 90-DAY PERIOD, IN A CONDITION WHEREIN IT IS NOT ABLE TO BE OPERATED UPON THE PUBLIC HIGHWAY OR WITHOUT CURRENT VALID LICENSE PLATES...

21. THESE RESTRICTIONS SHALL BE FOR THE BENEFIT FOR ALL OF THE LOT OWNERS OF O'CONNOR'S POINT ALLOTMENT. ENFORCEMENT OF THESE RESTRICTIONS SHALL BE BY PROCEEDINGS AT LAW OR EQUITY AGAINST ANY PERSON OR PERSONS VIOLATING OR ATTEMPTING TO VIOLATE ANY RESTRICTION...

SURVEYOR'S AFFIDAVIT

THE ACCOMPANYING PLAT REPRESENTS A SUBDIVISION OF LAND IN VIRGINIA MILITARY SURVEY 9968, RICHLAND TOWNSHIP, LOGAN COUNTY, OHIO.

THE TRACT HAS A TOTAL AREA OF 15.926 ACRES OF WHICH 3.843 ACRES ARE IN THE ROAD RIGHT-OF-WAY (INCLUDING COUNTY HIGHWAY 254), LEAVING A NET AREA OF 12.083 ACRES IN BUILDING LOTS. THE TRACT IS CURRENTLY ZONED B-2, LOCAL BUSINESS.

ALL MEASUREMENTS ARE IN FEET AND DECIMALS PARTS THEREOF.

I HEREBY STATE THAT THE ACCOMPANYING PLAT IS A CORRECT REPRESENTATION OF O'CONNOR'S POINT ALLOTMENT NO. 1 AS SURVEYED IN OCTOBER OF 1992, AND THAT ALL MONUMENTS ARE AS SHOWN HEREON HAVE BEEN FOUND, SET, OR WILL BE SET UPON COMPLETION OF CONSTRUCTION AT A TIME AS DIRECTED BY THE PROPRIETORS.

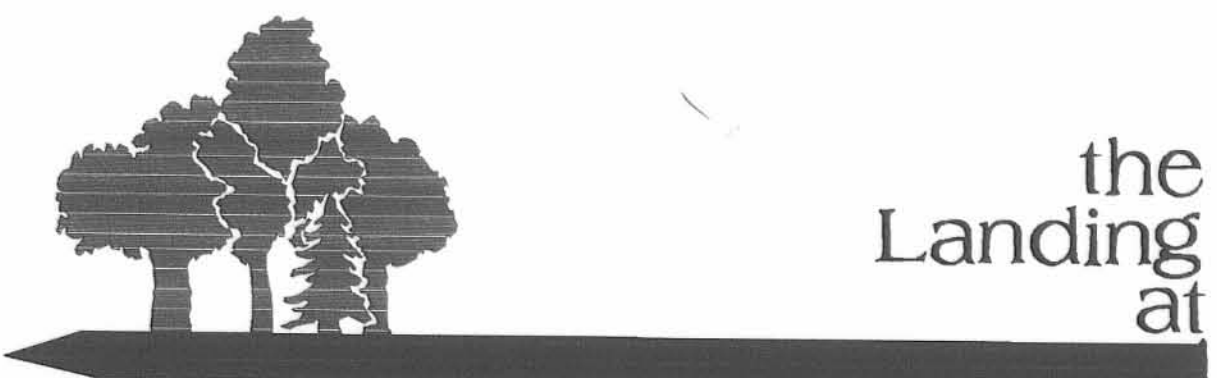


Leslie H. Geeslin
LESLIE H. GEESLIN
PROFESSIONAL SURVEYOR 5248
MAY 20, 1993
P.O. BOX 274
RUSHLVANIA, OHIO 43347
(513) 468-2793

UTILITY EASEMENTS

UTILITY EASEMENTS ARE AS INDICATED ON THE SUBDIVISION PLAT FOR THE CONSTRUCTION, OPERATION AND MAINTENANCE OF ALL PUBLIC AND PRIVATE UTILITIES, ABOVE AND BENEATH THE SURFACE OF THE GROUND, AND WHERE NECESSARY, ARE FOR THE CONSTRUCTION, OPERATION AND MAINTENANCE OF SERVICE CONNECTIONS TO ALL ADJACENT LOTS.

IN ADDITION TO EASEMENTS SHOWN, THE PLAT MAY BE SUBJECT TO THE FOLLOWING EASEMENTS:
1. THE LAKE GAS COMPANY IN DEED VOLUME 196, PAGE 475
2. UNITED TELEPHONE COMPANY IN DEED VOLUME 222, PAGE 277.



O'CONNOR'S POINT ALLOTMENT NO. 1
VIRGINIA MILITARY SURVEY 9968, RICHLAND TOWNSHIP, LOGAN COUNTY, OHIO

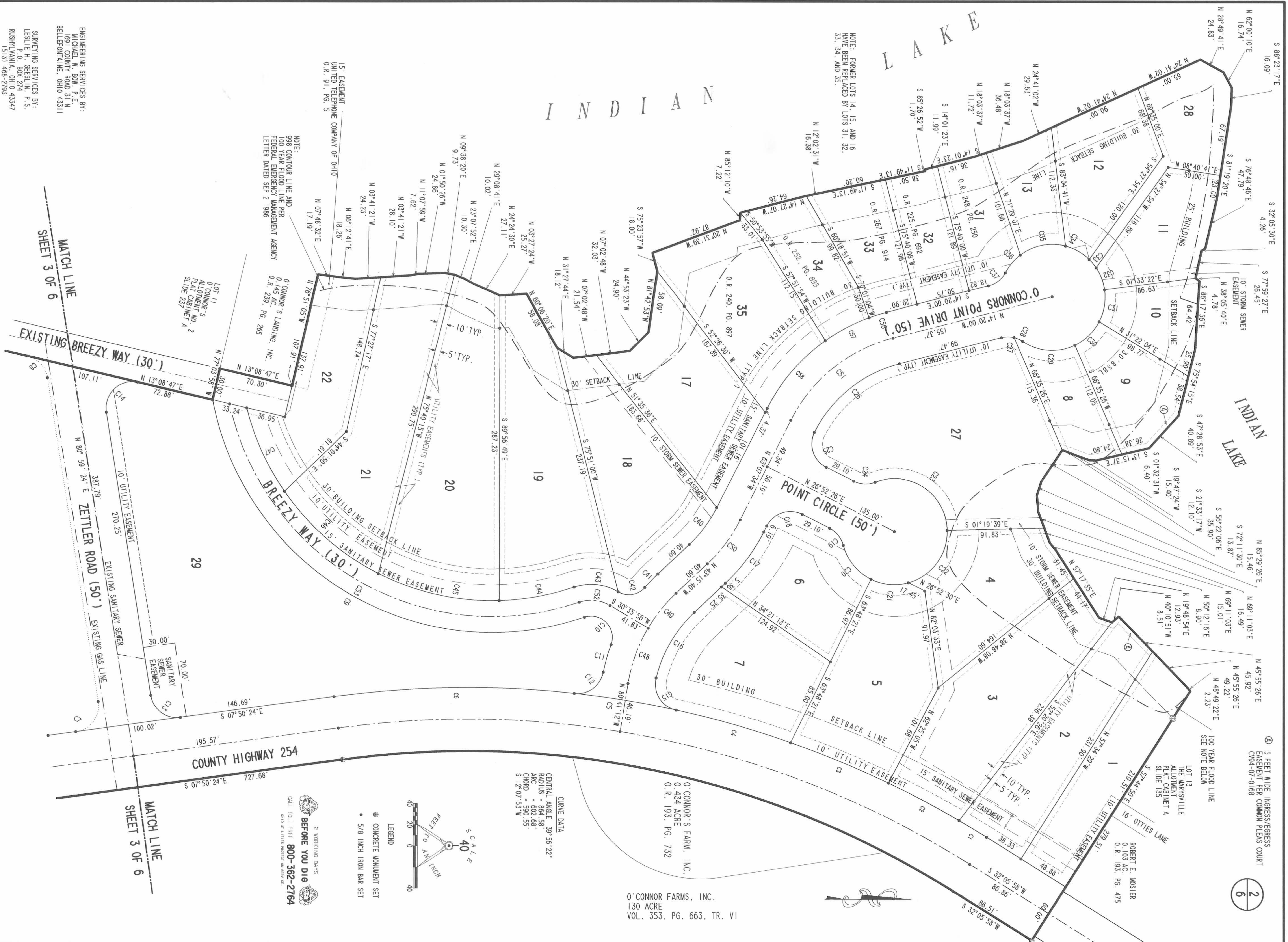
OWNER/DEVELOPER
O'CONNOR'S LANDING, INC.
229 ASHBROOK DRIVE
BELLEFONTAINE, OHIO 43311
(513) 593-4817

CALCULATIONS AND PLATTING SERVICES BY:
LEE SURVEYING & MAPPING CO.
143 East Columbus Avenue
BELLEFONTAINE, OHIO 43311
(513) 593-7335

PLAT PRE-APPROVED Jon E. Dines 10-18-95
PLAT CHECKED Jon E. Dines 1-12-96
REVIEWED THIS 27th DAY OF October, 1995 [Signature] CHAIRMAN, RICHLAND TOWNSHIP TRUSTEES
APPROVED THIS 23rd DAY OF October, 1995 [Signature] LOGAN COUNTY ENGINEER
THE WITHIN STREETS ARE HEREBY APPROVED AND ACCEPTED FOR PUBLIC MAINTENANCE
BY RESOLUTION NO. _____ RECORDED IN LOGAN COUNTY COMMISSIONERS' JOURNAL _____
ON THIS _____ DAY OF _____, 19____
APPROVED THIS 20th DAY OF October, 1995 [Signature] INDIAN LAKE SANITARY SEWER DISTRICT
APPROVED THIS 12th DAY OF October, 1995 [Signature] LOGAN-UNION-CHAMPAIGN REGIONAL PLANNING COMMISSION
APPROVED THIS 23rd DAY OF November, 1995 [Signature] LOGAN COUNTY COMMISSIONERS
[Signature]
[Signature]
TRANSFERRED THIS 12th DAY OF January, 1996 [Signature] AUDITOR, LOGAN COUNTY, OHIO
RECEIVED FOR RECORD AT 2:25 O'CLOCK P.M. THIS 12th DAY OF January, 1996
RECORDED IN PLAT CABINET B, SLIDE 5A&B, 6A&B, 7A&B
[Signature] RECORDER, LOGAN COUNTY, OHIO

9600232

INDIAN LAKE



NOTE: FORMER LOTS 14, 15, AND 16 HAVE BEEN REPLACED BY LOTS 31, 32, 33, 34, AND 35.

NOTE: 15' EASEMENT UNITED TELEPHONE COMPANY OF OHIO O.R. 91, PG. 5

NOTE: 0' CONNOR'S ALLOTMENT NO. 2 SLIDE 237

NOTE: 0' CONNOR'S LANDING, INC. FEDERAL EMBROIDERY MANAGEMENT AGENCY LETTER DATED SEP 2 1986

ENGINEERING SERVICES BY:
MICHAEL W. BOW, P.E.
1091 COUNTY ROAD 31 N
BELLEFONTAINE, OHIO 43311

SURVEYING SERVICES BY:
LESLIE H. GRESLIN, P.S.
RUSHKAMAN, A., OHIO 43347
(313) 468-2793

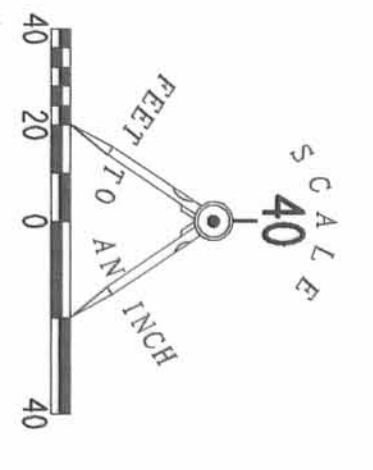
CALCULATIONS AND PLATTING SERVICES BY:
LEE SURVEYING & MAPPING CO.
143 East Columbus Avenue
BELLEFONTAINE, OHIO 43311
(615) 593-7335

O'CONNOR'S POINT ALLOTMENT NO. 1
VIRGINIA MILITARY SURVEY 9968, RICHLAND TOWNSHIP, LOGAN COUNTY, OHIO

AMENDED PLAT

MATCH LINE
SHEET 3 OF 6

MATCH LINE
SHEET 3 OF 6



CURVE DATA
CENTRAL ANGLE - 39°56'22"
RADIUS - 864.58'
ARC - 602.68'
CHORD - 590.55'
S 12°07'53" W

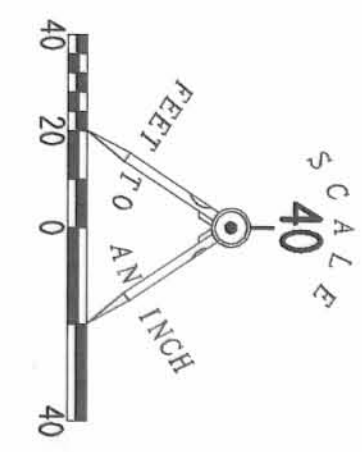
O'CONNOR FARMS, INC.
130 ACRE
VOL. 353, PG. 663, TR. VI

① 5 FEET WIDE INGRESS/EGRESS EASEMENT PER COMMON PLEAS COURT CV94-07-0168

SHEET 2 OF 6
MATCH LINE

SHEET 2 OF 6
MATCH LINE

O'CONNOR FARMS, INC.
130 AC.
VOL. 553, PG. 663, TR. VI



2 WORKING DATES
BEFORE YOU DIG
CALL TOLL FREE 800-362-2764
DRUG UTILITIES PROTECT YOUR SERVICE.



CURVE DATA
CENTRAL ANGLE - 37°23'27"
RADIUS - 160.00'
ARC - 117.47'
CHORD - 115.39'
CH. BRNG. - N 79°28'47"W

BAY VILLAGE ASSOCIATION
2.468 ACRES
O.R. 238, PG. 751

THE BOUNDARY OF THE REMAINDER OF THE 18.393 ACRES IS SHOWN TO SATISFY THE OVERLAY MAP REQUIREMENT OF O. R. C. 711.02 (B).

O'CONNOR'S FARM, INC.
0.472 AC.
O.R. 193, PG. 732

CURVE	DELTA ANGLE	RADIUS	ARC	TANGENT	CHORD	CHORD BEARING	CURVE	DELTA ANGLE	RADIUS	ARC	TANGENT	CHORD	CHORD BEARING
C 1	01°53'09"	924.58	30.43	15.22	30.43	S 31°09'30"W	C 21	41°35'10"	50.00	36.29	18.99	33.50	N 05°24'04"E
C 2	04°41'45"	924.58	75.78	37.91	75.76	S 27°52'03"W	C 22	75°58'08"	50.00	66.27	39.02	61.52	N 53°21'35"W
C 3	06°12'00"	924.58	100.05	50.07	100.00	S 22°25'10"W	C 23	109°59'18"	50.00	95.98	71.39	81.91	S 33°40'42"W
C 4	06°58'16"	924.58	112.49	56.31	112.42	S 15°50'00"W	C 24	48°11'23"	25.00	21.03	11.18	20.41	S 02°46'45"W
C 5	06°02'42"	924.58	97.55	48.82	97.50	S 09°19'34"W	C 25	88°29'03"	25.00	38.62	24.35	34.89	S 71°06'20"W
C 6	14°08'31"	924.58	228.21	114.69	227.63	S 07°46'02"E	C 26	48°47'34"	125.00	106.45	56.69	103.26	N 38°43'47"W
C 7	91°10'16"	25.00	39.78	25.52	35.71	N 53°25'30"W	C 27	27°32'53"	25.00	12.02	6.13	11.90	N 00°33'32"W
C 8	67°50'35"	25.00	29.60	16.81	27.90	S 47°04'06"W	C 28	20°38'30"	25.00	9.01	4.55	8.96	N 23°32'04"E
C 9	97°59'55"	270.00	461.81	310.59	407.54	N 30°12'15"E	C 29	59°21'26"	50.00	51.80	28.49	49.51	N 04°10'40"E
C 10	129°03'14"	20.00	45.05	41.98	36.11	N 45°43'55"E	C 30	37°08'24"	50.00	32.41	16.80	31.85	N 44°04'15"W
C 11	08°47'48"	175.00	26.87	13.46	26.84	S 74°08'22"E	C 31	34°54'55"	50.00	30.47	15.72	30.00	N 80°05'54"W
C 12	84°50'28"	25.00	37.02	22.84	33.73	S 36°07'02"E	C 32	26°12'28"	50.00	22.87	11.64	22.67	S 50°18'05"W
C 13	88°49'46"	25.00	38.76	24.49	34.99	S 36°54'30"W	C 33	11°52'17"	50.00	10.36	5.20	10.34	S 29°18'05"W
C 14	110°10'48"	25.00	48.10	35.84	41.01	N 43°55'56"W	C 34	29°45'12"	50.00	25.96	13.28	25.67	S 29°29'16"W
C 15	91°15'11"	25.00	39.82	25.55	35.74	S 57°58'30"W	C 35	51°50'10"	50.00	45.24	24.30	43.71	S 11°18'24"E
C 16	33°08'14"	125.00	72.29	37.19	71.29	N 59°49'47"W	C 36	25°17'53"	50.00	22.08	11.22	21.90	S 49°52'26"E
C 17	19°51'54"	175.00	60.67	30.64	60.37	N 53°11'37"W	C 37	48°11'24"	25.00	21.03	11.18	20.41	S 38°25'41"E
C 18	90°00'00"	25.00	39.27	25.00	35.36	N 18°07'34"W	C 38	16°31'48"	175.00	50.49	25.42	50.31	S 22°35'54"E
C 19	48°11'23"	25.00	21.03	11.18	20.41	N 18°07'34"W	C 39	32°15'46"	175.00	98.54	50.62	97.24	S 46°59'41"E
C 20	48°52'10"	50.00	42.65	22.72	41.37	N 50°37'43"E							

INDIANA LAKE

O'CONNOR'S POINT ALLOTMENT NO. 1

AMENDED PLAT

VIRGINIA MILITARY SURVEY 9968, RICHLAND TOWNSHIP, LOGAN COUNTY, OHIO

SURVEYING SERVICES BY:
LESLIE H. GEESLIN, P.S.
P.O. BOX 274
RUSHLVANIA, OHIO 43347
(513) 466-2793

ENGINEERING SERVICES BY:
MICHAEL W. BOW, P.E.
1691 COUNTY ROAD 31 N
BELLEFONTAINE, OHIO 43311

CALCULATIONS AND PLATTING SERVICES BY:
LEE SURVEYING & MAPPING CO.
113 E. MAIN ST., COLUMBUS, OHIO 43211
(613) 593-7335

D 208 OCONNF3A L 2053-1

DESCRIPTION

LYING IN VIRGINIA MILITARY SURVEY 9968, RICHLAND TOWNSHIP, LOGAN COUNTY OHIO.

BEING 15.926 ACRES OUT OF THE O'CONNOR'S LANDING, INC. 18.393 ACRE TRACT AS DEEDED AND DESCRIBED IN OFFICIAL RECORD 194, PAGE 235 OF THE LOGAN COUNTY RECORDS OF DEEDS AND BEING MORE PARTICULARLY DESCRIBED AS FOLLOWS:

BEGINNING AT 5/8 INCH IRON BAR SET AT THE NORTHEAST CORNER OF LOT NO. 11, O'CONNOR'S ALLOTMENT NO. 2, RICHLAND TOWNSHIP, LOGAN COUNTY, OHIO AS RECORDED IN PLAT CABINET A, SLIDE 237, IN THE LOGAN COUNTY RECORDS OF PLATS.

THENCE, N 13°-08'-47" E, WITH THE WESTERLY RIGHT-OF-WAY LINE EXTENDED OF BREEZY WAY, SAID WESTERLY RIGHT-OF-WAY LINE BEING THE EAST LINE OF THE O'CONNOR'S LANDING, INC. 0.145 ACRE TRACT (OFFICIAL RECORD 239, PAGE 265) A DISTANCE OF 70.30 FEET TO A 5/8 INCH IRON BAR SET AT THE NORTHEAST CORNER OF THE SAID 0.145 ACRE TRACT.

THENCE, N 76°-51'-05" W, WITH THE NORTH LINE OF THE SAID 0.145 ACRE TRACT, A DISTANCE OF 107.91 FEET TO THE EDGE OF THE WATER OF INDIAN LAKE, PASSING A 5/8 INCH IRON BAR SET FOR REFERENCE AT 77.77 FEET.

THENCE, WITH THE EDGE OF THE WATER THE FOLLOWING FIFTY COURSES:

- N 7°-48'-32" E, A DISTANCE OF 17.19 FEET.
- N 6°-12'-41" E, A DISTANCE OF 18.26 FEET.
- N 3°-41'-21" W, A DISTANCE OF 52.33 FEET.
- N 11°-07'-59" W, A DISTANCE OF 7.62 FEET.
- N 1°-50'-26" W, A DISTANCE OF 24.86 FEET.
- N 9°-38'-20" E, A DISTANCE OF 9.73 FEET.
- N 23°-07'-52" E, A DISTANCE OF 10.30 FEET.
- N 29°-08'-41" E, A DISTANCE OF 10.02 FEET.
- N 24°-24'-30" E, A DISTANCE OF 27.11 FEET.
- N 3°-27'-24" W, A DISTANCE OF 25.27 FEET.
- N 60°-06'-20" E, A DISTANCE OF 58.08 FEET.
- N 31°-27'-44" E, A DISTANCE OF 18.12 FEET.
- N 7°-02'-48" W, A DISTANCE OF 53.57 FEET.
- N 44°-53'-23" W, A DISTANCE OF 24.90 FEET.
- N 81°-42'-53" W, A DISTANCE OF 58.09 FEET.
- S 75°-23'-57" W, A DISTANCE OF 18.00 FEET.
- N 20°-31'-39" W, A DISTANCE OF 87.92 FEET.
- N 85°-12'-10" W, A DISTANCE OF 7.22 FEET.
- N 14°-27'-07" W, A DISTANCE OF 64.26 FEET.
- N 12°-02'-31" W, A DISTANCE OF 16.38 FEET.
- N 11°-49'-13" W, A DISTANCE OF 98.70 FEET.
- S 85°-26'-52" W, A DISTANCE OF 1.70 FEET.
- N 14°-01'-23" W, A DISTANCE OF 48.15 FEET.
- N 18°-03'-37" W, A DISTANCE OF 48.20 FEET.
- N 24°-41'-02" W, A DISTANCE OF 184.63 FEET.
- N 28°-49'-41" E, A DISTANCE OF 24.83 FEET.
- N 62°-00'-10" E, A DISTANCE OF 16.74 FEET.
- S 88°-23'-17" E, A DISTANCE OF 16.09 FEET.
- S 81°-19'-20" E, A DISTANCE OF 90.19 FEET.
- S 76°-48'-46" E, A DISTANCE OF 47.79 FEET.
- S 32°-05'-30" E, A DISTANCE OF 4.26 FEET.
- S 77°-59'-27" E, A DISTANCE OF 26.45 FEET.
- N 38°-05'-40" E, A DISTANCE OF 4.78 FEET.
- S 86°-17'-56" E, A DISTANCE OF 64.42 FEET.
- S 75°-54'-15" E, A DISTANCE OF 64.44 FEET.
- S 47°-28'-53" E, A DISTANCE OF 40.89 FEET.
- S 13°-15'-37" E, A DISTANCE OF 51.18 FEET.
- S 1°-32'-31" W, A DISTANCE OF 6.40 FEET.
- S 19°-47'-24" W, A DISTANCE OF 15.40 FEET.
- S 21°-33'-17" W, A DISTANCE OF 12.10 FEET.
- S 56°-22'-06" E, A DISTANCE OF 35.90 FEET.
- S 72°-11'-30" E, A DISTANCE OF 13.87 FEET.
- N 85°-29'-26" E, A DISTANCE OF 15.46 FEET.
- N 69°-11'-03" E, A DISTANCE OF 31.50 FEET.
- N 50°-12'-16" E, A DISTANCE OF 8.90 FEET.
- N 57°-17'-35" E, A DISTANCE OF 75.62 FEET.
- N 19°-48'-54" E, A DISTANCE OF 12.93 FEET.
- N 40°-10'-51" W, A DISTANCE OF 8.51 FEET.
- N 45°-55'-26" E, A DISTANCE OF 95.14 FEET.
- N 48°-49'-22" E, A DISTANCE OF 2.23 FEET TO THE SOUTHWESTERLY CORNER OF LOT 13 OF THE MARYSVILLE ALLOTMENT.

THENCE, WITH THE SOUTHERLY LINE OF LOT 13, THE SOUTH END OF OTTIES LANE (16 FEET WIDE) AND THE SOUTH LINE OF THE ROBERT E. MOSIER 0.103 ACRE TRACT (O.R. 193, PAGE 475) AND CROSSING COUNTY HIGHWAY 254, S 57°-44'-50" E, A DISTANCE OF 279.51 FEET TO A CONCRETE MONUMENT SET ON THE EAST LINE OF COUNTY HIGHWAY 254, PASSING A CONCRETE MONUMENT SET AT 31.27 FEET AND PASSING THE CENTER-LINE OF COUNTY HIGHWAY 254 AT 249.51 FEET.

THENCE, WITH THE NEW RIGHT-OF-WAY OF COUNTY HIGHWAY 254 AND PARALLEL WITH THE PRESENT CENTER-LINE THE FOLLOWING THREE COURSES:
S 32°-05'-58" W, A DISTANCE OF 86.51 FEET TO A 5/8 INCH IRON BAR SET.

A CURVE TO THE LEFT HAVING A CENTRAL ANGLE OF 39°-56'-22", A RADIUS OF 864.58 FEET, AN ARC LENGTH OF 602.68 FEET, HAVING A CHORD DISTANCE OF 590.55 FEET BEARING S 12°-07'-53" W TO A CONCRETE MONUMENT SET.

S 7°-50'-24" E, A DISTANCE OF 727.68 FEET TO A CONCRETE MONUMENT SET.

THENCE, WITH THE SOUTH RIGHT-OF-WAY LINE OF COUNTY HIGHWAY 254 AND THE NORTH LINE OF THE O'CONNOR'S FARMS 0.472 ACRE TRACT (O.R. 193, PG. 732), S 82°-09'-36" W, A DISTANCE OF 60.00 FEET TO A 5/8 INCH IRON BAR SET.

THENCE, WITH THE PROPOSED WEST RIGHT-OF-WAY OF COUNTY HIGHWAY 254, N 7°-50'-24" W, A DISTANCE OF 79.67 FEET TO A 5/8 INCH IRON BAR SET.

THENCE, WITH THE NORTH LINES OF THE BAY VILLAGE ASSOC., INC. 2.468 ACRE TRACT (O.R. 238, PG. 751) THE FOLLOWING FIVE COURSES:
S 31°-01'-55" W, A DISTANCE OF 88.00 FEET TO A 5/8 INCH IRON BAR SET.

N 33°-41'-28" W, A DISTANCE OF 270.09 FEET TO A 5/8 INCH IRON ROD SET.

S 42°-24'-14" W, A DISTANCE OF 147.61 FEET TO A 5/8 INCH IRON ROD SET.

A CURVE TO THE LEFT HAVING A CENTRAL ANGLE OF 37°-23'-27", A RADIUS OF 180.00 FEET, AN ARC LENGTH OF 117.47 FEET WITH A CHORD DISTANCE OF 115.39 FEET BEARING N 79°-28'-47" W TO A 5/8 INCH IRON BAR SET.

A CURVE TO THE RIGHT HAVING A CENTRAL ANGLE OF 82°-59'-43", A RADIUS OF 25.00 FEET, AN ARC LENGTH OF 36.21 FEET WITH A CHORD DISTANCE OF 33.13 FEET BEARING N 56°-40'-39" W TO A CONCRETE MONUMENT SET ON THE EAST LINE OF BREEZY WAY (30 FEET WIDE).

THENCE, WITH THE EAST LINE OF BREEZY WAY THE FOLLOWING TWO COURSES:
N 15°-10'-47" W, A DISTANCE OF 75.09 FEET TO A 5/8 INCH IRON BAR SET.

N 13°-08'-47" E, A DISTANCE OF 384.75 FEET TO A 5/8 INCH IRON BAR SET.

THENCE, N 77°-03'-58" W, WITH THE NORTH END OF BREEZY WAY, A DISTANCE OF 30.00 FEET TO THE POINT OF BEGINNING.

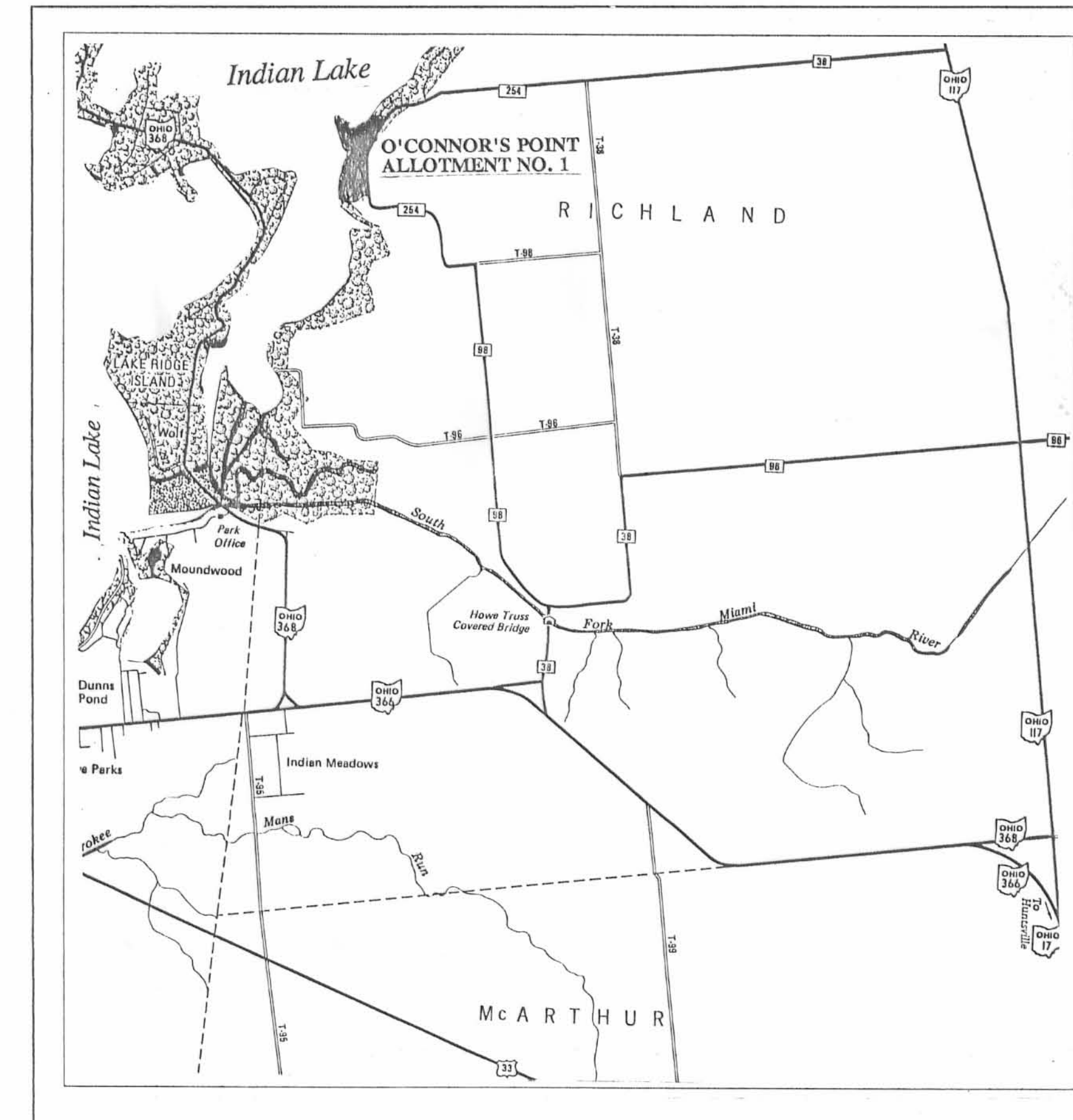
CONTAINING 15.926 ACRES.

ACREAGE BREAKDOWN

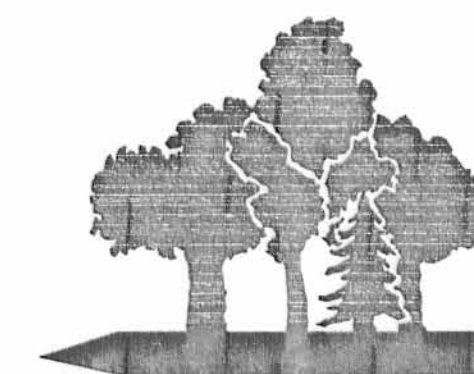
AREA IN ROAD RIGHT-OF-WAY	3.843 ACRE OF WHICH 0.804 ACRE IS IN PARCEL 37-019-00-00-010.001
AREA IN LOTS	12.083 ACRES

THE BASIS FOR BEARINGS IS BASED UPON THE SOUTH LINE OF LOT 13 OF THE MARYSVILLE ALLOTMENT BEING S 57°-44'-50" E, AND ALL OTHER BEARINGS ARE FROM A FIELD SURVEY BY LES GEESLIN, PROFESSIONAL SURVEYOR 5248 ON OR BEFORE MAY 20, 1993.

AREA MAP



SCALE 1 INCH = 2000 FEET +/-



the
Landing
at
**O'CONNOR'S
POINT**
Indian Lake

AMENDED PLAT O'CONNOR'S POINT ALLOTMENT NO. 1

VIRGINIA MILITARY SURVEY 9968, RICHLAND TOWNSHIP, LOGAN COUNTY, OHIO

DEDICATION

STATE OF OHIO
COUNTY OF LOGAN SS:

BEFORE ME, A NOTARY PUBLIC IN AND FOR SAID STATE, PERSONALLY APPEARED JAMES C. ELLINGTON AND CHARLYN A. ELLINGTON, WHO ACKNOWLEDGED THAT THEY DID SIGN THE SAID PLAT AND THAT THE SAME IS THEIR FREE ACT AND DEED.

IN TESTIMONY WHEREOF, I HAVE HEREUNTO SUBSCRIBED MY NAME AND AFFIXED MY OFFICIAL SEAL THIS 2nd DAY OF December, 1985.

Mark S. O'Connor
NOTARY PUBLIC
MARK S. O'CONNOR
Attorney At Law
Reg. No. 0005601
Notary Public, State of Ohio
My Commission has no Expiration Date

KNOW ALL MEN BY THESE PRESENTS, THAT JAMES C. ELLINGTON AND CHARLYN A. ELLINGTON, HUSBAND AND WIFE PROPRIETORS OF LOT 7 ON THE ACCOMPANYING PLAT HAVE HEREUNTO SET THEIR HANDS.

James C. Ellington BY *Charlyn A. Ellington*
WITNESS TO ALL
Mark S. O'Connor
WITNESS TO ALL
JAMES C. ELLINGTON
CHARLYN A. ELLINGTON

KNOW ALL MEN BY THESE PRESENTS THAT THE UNDERSIGNED, BEING ALL OF THE PROPRIETORS OF THE LAND INDICATED ON THE ACCOMPANYING PLAT, HAVE AUTHORIZED THE REPLATTING THEREOF AND DO HEREBY DEDICATE COUNTY HIGHWAY 254, ZETTLER ROAD, BREEZY WAY, POINT CIRCLE AND O'CONNOR'S POINT DRIVE AS SHOWN WITHIN THIS PLAT TO THE PUBLIC FOREVER, DEDICATE THE SANITARY SEWER EASEMENTS TO THE INDIAN LAKE SANITARY SEWER DISTRICT, DEDICATE THE UTILITY EASEMENTS FOR PUBLIC AND PRIVATE UTILITY PURPOSES, AND DEDICATE THE STORM SEWER EASEMENTS TO THE RICHLAND TOWNSHIP TRUSTEES FOR OPERATION AND MAINTENANCE, AND DEDICATE THE INGRESS/EGRESS EASEMENTS (A) TO ALL OF THE OWNERS OF LOTS IN O'CONNOR'S POINT ALLOTMENT NO. 1. IN ADDITION, O'CONNOR'S LANDING, INC. SHALL DIRECT THE SURVEYOR TO PLACE THE NECESSARY MONUMENTATION AS SHOWN HEREON PER OHIO REVISED CODE SECTION 711.03 AND OHIO ADMINISTRATIVE CODE 4733-37:

STATE OF OHIO
COUNTY OF LOGAN SS:

BEFORE ME, A NOTARY PUBLIC IN AND FOR SAID STATE, PERSONALLY APPEARED JEROME L. KINGERY AND JACQUELINE M. KINGERY, WHO ACKNOWLEDGED THAT THEY DID SIGN THE SAID PLAT AND THAT THE SAME IS THEIR FREE ACT AND DEED.

IN TESTIMONY WHEREOF, I HAVE HEREUNTO SUBSCRIBED MY NAME AND AFFIXED MY OFFICIAL SEAL THIS 19th DAY OF November, 1985.

Mark S. O'Connor
NOTARY PUBLIC
MARK S. O'CONNOR
Attorney At Law
Reg. No. 0005601
Notary Public, State of Ohio
My Commission has no Expiration Date

KNOW ALL MEN BY THESE PRESENTS, THAT JEROME L. KINGERY AND JACQUELINE M. KINGERY, HUSBAND AND WIFE PROPRIETORS OF LOT 12 ON THE ACCOMPANYING PLAT HAVE HEREUNTO SET THEIR HANDS.

Jerome L. Kingery BY *Jacqueline M. Kingery*
WITNESS TO ALL
Mark S. O'Connor
WITNESS TO ALL
JEROME L. KINGERY
JACQUELINE M. KINGERY

KNOW ALL MEN BY THESE PRESENTS, THAT O'CONNOR'S LANDING, INC., PROPRIETOR OF LOTS 2, 3, 4, 8, 9, 10, 11, 18, 22, 23, 24, 25, 26, 27, 28, 29, AND 30 ON THE ACCOMPANYING PLAT HAVE HEREUNTO SET THEIR HANDS.

Thomas E. O'Connor, Jr. BY *Martha O'Connor*
WITNESS TO ALL
Robert B. Macdonald, Jr.
WITNESS TO ALL
THOMAS E. O'CONNOR, JR.
PRESIDENT
MARTHA O'CONNOR
SECRETARY

STATE OF OHIO
COUNTY OF LOGAN SS:

BEFORE ME, A NOTARY PUBLIC IN AND FOR SAID STATE, PERSONALLY APPEARED THOMAS E. O'CONNOR, JR., PRESIDENT, AND MARTHA O'CONNOR, SECRETARY, OF O'CONNOR'S LANDING, INC., THE CORPORATION WHICH EXECUTED THE FOREGOING PLAT, WHO ACKNOWLEDGED THAT THE SEAL AFFIXED TO SAID INSTRUMENT IS THE CORPORATE SEAL OF SAID CORPORATION; AND THAT THEY DID SIGN AND SEAL SAID PLAT AS PRESIDENT AND SECRETARY, ON BEHALF OF SAID CORPORATION, AND BY THE AUTHORITY OF ITS BOARD OF DIRECTORS; AND THAT SAID INSTRUMENT IS THE FREE ACT AND DEED OF SAID CORPORATION, AND OF THEMSELVES AS SUCH OFFICERS.

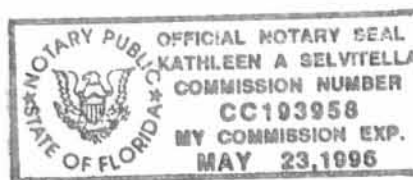
IN TESTIMONY WHEREOF, I HAVE HEREUNTO SUBSCRIBED MY NAME AND AFFIXED MY OFFICIAL SEAL THIS 11th DAY OF November, 1985.

Robert B. Macdonald, Jr.
NOTARY PUBLIC
ROBERT B. MACDONALD, JR.
My Commission has no expiration date
Attorney at Law
Notary Public, State of Ohio
Section 147.03 R.C.

STATE OF OHIO
COUNTY OF LOGAN SS:

BEFORE ME, A NOTARY PUBLIC IN AND FOR SAID STATE, PERSONALLY APPEARED JANAT A. WILCOX, WHO ACKNOWLEDGED THAT SHE DID SIGN THE SAID PLAT AND THAT THE SAME IS HER FREE ACT AND DEED.

IN TESTIMONY WHEREOF, I HAVE HEREUNTO SUBSCRIBED MY NAME AND AFFIXED MY OFFICIAL SEAL THIS 21st DAY OF Dec, 1985.



Kathleen A. Selvitella
NOTARY PUBLIC
KATHLEEN A. SELVITELLA
Attorney At Law
Reg. No. 0005601
Notary Public, State of Ohio
My Commission Expires MAY 23, 1986

KNOW ALL MEN BY THESE PRESENTS, THAT JANAT A. WILCOX, UNMARRIED PROPRIETOR OF LOT 13 ON THE ACCOMPANYING PLAT HAS HEREUNTO SET HER HAND.

Janat A. Wilcox
WITNESS TO ALL
Kathleen A. Selvitella
WITNESS TO ALL
BY *Janat A. Wilcox*
JANAT A. WILCOX

KNOW ALL MEN BY THESE PRESENTS, THAT RICHARD D. SHOCK AND DIANE H. SHOCK, HUSBAND AND WIFE, PROPRIETORS OF LOT 1 ON THE ACCOMPANYING PLAT HAVE HEREUNTO SET THEIR HANDS.

Richard D. Shock BY *Diane H. Shock*
WITNESS TO ALL
Mark S. O'Connor
WITNESS TO ALL
RICHARD D. SHOCK
DIANE H. SHOCK

STATE OF OHIO
COUNTY OF LOGAN SS:

BEFORE ME, A NOTARY PUBLIC IN AND FOR SAID STATE, PERSONALLY APPEARED RICHARD D. SHOCK AND DIANE H. SHOCK, WHO ACKNOWLEDGED THAT THEY DID SIGN THE SAID PLAT AND THAT THE SAME IS THEIR FREE ACT AND DEED.

IN TESTIMONY WHEREOF, I HAVE HEREUNTO SUBSCRIBED MY NAME AND AFFIXED MY OFFICIAL SEAL THIS 26th DAY OF November, 1985.

Mark S. O'Connor
NOTARY PUBLIC
MARK S. O'CONNOR
Attorney At Law
Reg. No. 0005601
Notary Public, State of Ohio
My Commission has no Expiration Date

STATE OF OHIO
COUNTY OF LOGAN SS:

BEFORE ME, A NOTARY PUBLIC IN AND FOR SAID STATE, PERSONALLY APPEARED KELLY D. TEMPLE, WHO ACKNOWLEDGED THAT SHE DID SIGN THE SAID PLAT AND THAT THE SAME IS HER FREE ACT AND DEED.

IN TESTIMONY WHEREOF, I HAVE HEREUNTO SUBSCRIBED MY NAME AND AFFIXED MY OFFICIAL SEAL THIS 3rd DAY OF December, 1985.

Mark S. O'Connor
NOTARY PUBLIC
MARK S. O'CONNOR
Attorney At Law
Reg. No. 0005601
Notary Public, State of Ohio
My Commission has no Expiration Date

KNOW ALL MEN BY THESE PRESENTS, THAT KELLY D. TEMPLE, UNMARRIED PROPRIETOR OF PART OF LOT 14 ON THE ORIGINAL PLAT OF O'CONNOR'S POINT ALLOTMENT NO. 1 AND NOW SHOWN AS LOT 31 ON THE ACCOMPANYING AMENDED PLAT HAS HEREUNTO SET HER HAND.

Kelly D. Temple
WITNESS TO ALL
Mark S. O'Connor
WITNESS TO ALL
BY *Kelly D. Temple*
KELLY D. TEMPLE

KNOW ALL MEN BY THESE PRESENTS, THAT ROBERT T. HARTMAN, UNMARRIED, PROPRIETOR OF LOT 5 ON THE ACCOMPANYING PLAT HAS HEREUNTO SET HIS HAND.

Robert T. Hartman
WITNESS TO ALL
John R. Everts
WITNESS TO ALL
ROBERT T. HARTMAN

STATE OF OHIO
COUNTY OF LOGAN SS:

BEFORE ME, A NOTARY PUBLIC IN AND FOR SAID STATE, PERSONALLY APPEARED ROBERT T. HARTMAN, WHO ACKNOWLEDGED THAT HE DID SIGN THE SAID PLAT AND THAT THE SAME IS HIS FREE ACT AND DEED.

IN TESTIMONY WHEREOF, I HAVE HEREUNTO SUBSCRIBED MY NAME AND AFFIXED MY OFFICIAL SEAL THIS 3rd DAY OF December, 1985.

John R. Everts
NOTARY PUBLIC
JOHN R. EVERTS
My Commission Expires MAY 1, 1986

STATE OF OHIO
COUNTY OF LOGAN SS:

BEFORE ME, A NOTARY PUBLIC IN AND FOR SAID STATE, PERSONALLY APPEARED RAYMOND R. HEYOB AND CAROL J. HEYOB, WHO ACKNOWLEDGED THAT THEY DID SIGN THE SAID PLAT AND THAT THE SAME IS THEIR FREE ACT AND DEED.

IN TESTIMONY WHEREOF, I HAVE HEREUNTO SUBSCRIBED MY NAME AND AFFIXED MY OFFICIAL SEAL THIS 5th DAY OF November, 1985.

Maloune M. Richardson
NOTARY PUBLIC - State of Ohio
My Commission Expires April 8, 1997

KNOW ALL MEN BY THESE PRESENTS, THAT RAYMOND R. HEYOB AND CAROL J. HEYOB, HUSBAND AND WIFE PROPRIETORS OF LOT 6 ON THE ACCOMPANYING PLAT HAVE HEREUNTO SET THEIR HANDS.

Raymond R. Heyob BY *Carol J. Heyob*
WITNESS TO ALL
Maloune M. Richardson
WITNESS TO ALL
RAYMOND R. HEYOB
CAROL J. HEYOB

KNOW ALL MEN BY THESE PRESENTS, THAT RICHARD E. ROBINSON AND ANNADELLA ROBINSON AND WIFE PROPRIETORS OF LOT 15 AND LOT 16 (PART THEREOF) ON THE ORIGINAL PLAT OF O'CONNOR'S POINT ALLOTMENT NO. 1 AND NOW AS SHOWN AS LOT 34 ON THE ACCOMPANYING AMENDED PLAT HAVE HEREUNTO SET THEIR HANDS.

Richard E. Robinson BY *Annadella Robinson*
WITNESS TO ALL
Maloune M. Richardson
WITNESS TO ALL
RICHARD E. ROBINSON
ANNADELLA ROBINSON

CALCULATIONS AND PLATTING SERVICES BY:
LEE SURVEYING & MAPPING CO.
143 East Columbus Avenue
BELLEFONTAINE, OHIO 43311
(613) 593-7335
D 208 OCONF5A L 2053-1



AMENDED PLAT
O'CONNOR'S POINT ALLOTMENT NO. 1
VIRGINIA MILITARY SURVEY 9968, RICHLAND TOWNSHIP, LOGAN COUNTY, OHIO

DEDICATION

STATE OF OHIO SS:
COUNTY OF LOGAN

BEFORE ME, A NOTARY PUBLIC IN AND FOR SAID STATE, PERSONALLY APPEARED GEORGE H. GANTZ AND LINDA L. GANTZ, WHO ACKNOWLEDGED THAT THEY DID SIGN THE SAID PLAT AND THAT THE SAME IS THEIR FREE ACT AND DEED.

KNOW ALL MEN BY THESE PRESENTS, THAT GEORGE H. GANTZ AND LINDA L. GANTZ, HUSBAND AND WIFE, PROPRIETORS OF PART OF LOT 15 ON THE ORIGINAL PLAT OF O'CONNOR'S POINT ALLOTMENT NO. 1 AND NOW SHOWN AS LOT 33 ON THE ACCOMPANYING AMENDED PLAT HAVE HEREUNTO SET THEIR HANDS.

IN TESTIMONY WHEREOF, I HAVE HEREUNTO SUBSCRIBED MY NAME AND AFFIXED MY OFFICIAL SEAL THIS 18th DAY OF December, 19 95.

Arlene A. Hoffman
NOTARY PUBLIC
ARLENE A. HOFFMAN
NOTARY PUBLIC, STATE OF OHIO
MY COMMISSION EXPIRES JAN. 26, 2000

George H. Gantz BY *George H. Gantz* BY *Linda L. Gantz*
WITNESS TO ALL GEORGE H. GANTZ, JR. LINDA L. GANTZ
Ronald Johnson
WITNESS TO ALL

STATE OF OHIO SS:
COUNTY OF LOGAN

BEFORE ME, A NOTARY PUBLIC IN AND FOR SAID STATE, PERSONALLY APPEARED MARK S. O'CONNOR AND MARTHA O'CONNOR, ACKNOWLEDGED THAT THEY DID SIGN THE SAID PLAT AND THAT THE SAME IS THEIR FREE ACT AND DEED.

KNOW ALL MEN BY THESE PRESENTS, THAT MARK S. O'CONNOR AND MARTHA O'CONNOR, HUSBAND AND WIFE, PROPRIETORS OF PART OF LOT 16 ON THE ORIGINAL PLAT OF O'CONNOR'S POINT ALLOTMENT NO. 1 AND NOW SHOWN AS LOT 35 ON THE ACCOMPANYING AMENDED PLAT HAVE HEREUNTO SET THEIR HANDS.

IN TESTIMONY WHEREOF, I HAVE HEREUNTO SUBSCRIBED MY NAME AND AFFIXED MY OFFICIAL SEAL THIS 11th DAY OF November, 19 95.

Robert B. MacDonald BY *Mark S. O'Connor* BY *Martha O'Connor*
WITNESS TO ALL MARK S. O'CONNOR MARTHA O'CONNOR
Robert B. MacDonald
WITNESS TO ALL

Robert B. MacDonald
NOTARY PUBLIC
ROBERT B. MACDONALD JR.
My Commission has no expiration date
Attorney at Law
Notary Public, State of Ohio
Section 147.03 R.C.

STATE OF OHIO SS:
COUNTY OF LOGAN

BEFORE ME, A NOTARY PUBLIC IN AND FOR SAID STATE, PERSONALLY APPEARED J. CHRISTOPHER HARLAMERT, WHO ACKNOWLEDGED THAT HE DID SIGN THE SAID PLAT AND THAT THE SAME IS HIS FREE ACT AND DEED.

KNOW ALL MEN BY THESE PRESENTS, THAT J. CHRISTOPHER HARLAMERT, UNMARRIED, PROPRIETOR OF PART OF LOTS 14 AND 15 ON THE ORIGINAL PLAT OF O'CONNOR'S POINT ALLOTMENT NO. 1 AND NOW SHOWN AS LOT 32 ON THE ACCOMPANYING AMENDED PLAT HAS HEREUNTO SET HIS HAND.

IN TESTIMONY WHEREOF, I HAVE HEREUNTO SUBSCRIBED MY NAME AND AFFIXED MY OFFICIAL SEAL THIS 11th DAY OF December, 19 95.

John R. Eijst
NOTARY PUBLIC
JOHN REYER, NOTARY PUBLIC
IN AND FOR THE STATE OF OHIO
MY COMMISSION EXPIRES MAY 1, 1999

John R. Eijst BY *J. Christopher Harlamert* BY _____
WITNESS TO ALL J. CHRISTOPHER HARLAMERT
Malou M. Richardson
WITNESS TO ALL

STATE OF OHIO SS:
COUNTY OF LOGAN

BEFORE ME, A NOTARY PUBLIC IN AND FOR SAID STATE, PERSONALLY APPEARED JEFFREY L. FOUT AND PAULA M. FOUT, WHO ACKNOWLEDGED THAT THEY DID SIGN THE SAID PLAT AND THAT THE SAME IS THEIR FREE ACT AND DEED.

KNOW ALL MEN BY THESE PRESENTS, THAT JEFFREY L. FOUT AND PAULA M. FOUT, HUSBAND AND WIFE, PROPRIETORS OF LOT 17 ON THE ACCOMPANYING PLAT HAVE HEREUNTO SET THEIR HANDS.

IN TESTIMONY WHEREOF, I HAVE HEREUNTO SUBSCRIBED MY NAME AND AFFIXED MY OFFICIAL SEAL THIS 3rd DAY OF December, 19 95.

Mark S. O'Connor BY *Jeffrey L. Fout* BY *Paula M. Fout*
WITNESS TO ALL JEFFREY L. FOUT PAULA M. FOUT
Mark S. O'Connor
WITNESS TO ALL

Mark S. O'Connor
NOTARY PUBLIC
MARK S. O'CONNOR
Attorney at Law
Reg. No. 0005601
Notary Public, State of Ohio
My Commission has no Expiration Date

STATE OF OHIO SS:
COUNTY OF LOGAN

BEFORE ME, A NOTARY PUBLIC IN AND FOR SAID STATE, PERSONALLY APPEARED WILLIAM C. ASMAN AND LINDA J. ASMAN, WHO ACKNOWLEDGED THAT THEY DID SIGN THE SAID PLAT AND THAT THE SAME IS THEIR FREE ACT AND DEED.

KNOW ALL MEN BY THESE PRESENTS, THAT WILLIAM C. ASMAN AND LINDA J. ASMAN, HUSBAND AND WIFE, PROPRIETORS OF LOT 19 ON THE ACCOMPANYING PLAT HAVE HEREUNTO SET THEIR HANDS.

IN TESTIMONY WHEREOF, I HAVE HEREUNTO SUBSCRIBED MY NAME AND AFFIXED MY OFFICIAL SEAL THIS 3rd DAY OF December, 19 95.

Mark S. O'Connor BY *William C. Asman* BY *Linda J. Asman*
WITNESS TO ALL WILLIAM C. ASMAN LINDA J. ASMAN
Mark S. O'Connor
WITNESS TO ALL

Mark S. O'Connor
NOTARY PUBLIC
MARK S. O'CONNOR
Attorney at Law
Reg. No. 0005601
Notary Public, State of Ohio
My Commission has no Expiration Date

STATE OF OHIO SS:
COUNTY OF LOGAN

KNOW ALL MEN BY THESE PRESENTS, THAT LURA P. COUNTS, UNMARRIED PROPRIETOR OF LOTS 20 AND 21 ON THE ACCOMPANYING PLAT HAS HEREUNTO SET HER HAND.

BEFORE ME, A NOTARY PUBLIC IN AND FOR SAID STATE, PERSONALLY APPEARED LURA B. COUNTS, WHO ACKNOWLEDGED THAT SHE DID SIGN THE SAID PLAT AND THAT THE SAME IS HER FREE ACT AND DEED.

IN TESTIMONY WHEREOF, I HAVE HEREUNTO SUBSCRIBED MY NAME AND AFFIXED MY OFFICIAL SEAL THIS 11th DAY OF December, 19 95.

John R. Eijst BY *Lura P. Counts* BY _____
WITNESS TO ALL LURA P. COUNTS
John R. Eijst
WITNESS TO ALL

John R. Eijst
NOTARY PUBLIC
JOHN REYER, NOTARY PUBLIC
IN AND FOR THE STATE OF OHIO
MY COMMISSION EXPIRES MAY 1, 1999

AMENDED PLAT
O'CONNOR'S POINT ALLOTMENT NO. 1
VIRGINIA MILITARY SURVEY 9968, RICHLAND TOWNSHIP, LOGAN COUNTY, OHIO



CALCULATIONS AND PLATTING SERVICES BY:
LEE SURVEYING & MAPPING CO.
143 East Columbus Avenue
BELLEFONTAINE, OHIO 43311
(513) 593-7356
D 208 OCONF5A L 2053-1
10/18/95