

Received 6-23-04 OK g04

Lee Surveying and Mapping Co., Inc.

Land Surveys • Topography • Subdivisions • Construction Layout

117 N. Madriver St.
Bellefontaine OH 43311



Phone: (937) 593-7335
Fax: (937) 593-7444

JENKINS 10.000 ACRES

Lying in Virginia Military Survey 9969, Richland Township, Logan County, Ohio.

Being out of the Annabelle Jenkins original 75 acre tract as deeded and described in Official Record 537, Page 454 of the Logan County Records of Deeds and being more particularly described as follows:

Beginning at a stone found inside a monument box at the north west corner of Virginia Military Survey 9969 and on the center-line of Township Road 38 (40 feet wide).

THENCE, with the north line of Virginia Military Survey 9969 parallel to, and 15.00 feet south of the center-line of County Highway 38 (60 feet wide), N 83°-00'-00"E, a distance of 600.00 feet to a 5/8 inch iron rod set.

THENCE, S 6°-49'-37"E, a distance of 726.00 feet to a 5/8 inch iron rod set, passing a 5/8 inch iron rod set at 15.00 feet.

THENCE, S 83°-00'-00"W, a distance of 600.00 feet to a 5/8 inch iron rod set, passing a 5/8 inch iron rod set at 580.00 feet.

THENCE, with the center-line of Township Road 38 N 6°-49'-37"W, a distance of 726.00 feet to the point of beginning.

Containing 10.000 acres of which 0.535 acre is within the highway right-of-way.

The basis for bearings is the north line of Virginia Military Survey 9969 being N 83°-00'-00"E, and all other bearings are from angles and distances measured in a field survey by Lee Surveying and Mapping Co., Inc. on June 17, 2004.



ORIGINAL STAMP IN GREEN

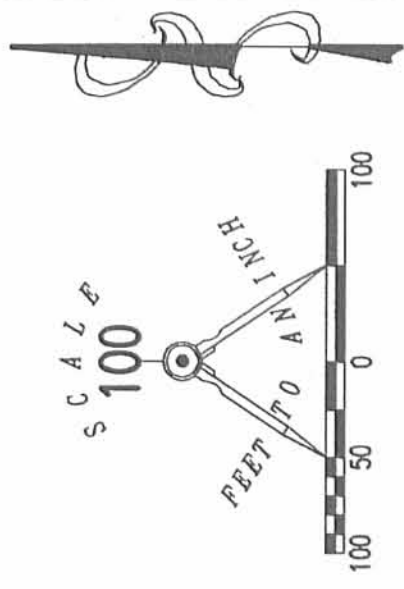
Description prepared by:

Jeffrey I. Lee
Jeffrey I. Lee
Professional Surveyor 6359
June 21, 2004

3825064

INDEXED ON MAP
9485 1D

INDEXED ON MAP
9485 1P



- LEGEND
- 5/8 INCH IRON ROD SET
 - ☒ STONE FOUND INSIDE MONUMENT BOX
 - 5/8 INCH IRON ROD FOUND

VIRGINIA MILITARY SURVEY 12311
 VIRGINIA MILITARY SURVEY 13393

COUNTY HIGHWAY 38 (60')
 R/W

C.H. 254
 V.M.S. 13393
 V.M.S. 9968

BASIS FOR BEARINGS
 N 83°00'00" E
 600.00

VIRGINIA MILITARY SURVEY 9969
 VIRGINIA MILITARY SURVEY 9968

S 06°49'37" E
 726.00'

10.000 ACRES
 OF WHICH 0.535 ACRE
 IS WITHIN THE HIGHWAY
 RIGHT-OF-WAY

TOWNSHIP ROAD 38 (40')
 R/W

600.00'
 S 83°00'00" W



ANNABELLE JENKINS
 ORIGINAL 75 ACRE TRACT
 VOL. 537, PG. 454

ORIGINAL STAMP IN SURVEYED BY:-

Jeffrey I. Lee
 JEFFREY I. LEE
 PROFESSIONAL SURVEYOR 6359
 JUNE 17, 2004

COPYRIGHT 2004 BY:

LEE SURVEYING & MAPPING CO., INC.
 117 North Madriver Street
 BELLEFONTAINE, OHIO 43311
 (937) 593-7335

A SURVEY OF A
 10.000 ACRE TRACT OUT OF THE
 ANNABELLE JENKINS
 ORIGINAL 75 ACRE TRACT
 VOLUME 537, PAGE 454
 VIRGINIA MILITARY SURVEY 9969
 RICHLAND TOWNSHIP
 LOGAN COUNTY, OHIO

INDEXED ON MAP
9485

2 WORKING DAYS
 BEFORE YOU DIG
 CALL TOLL FREE 800-362-2764
 OR VISIT US AT WWW.DIGNOTDIE.COM

ADW D412 3825064 L-3825064-2

REV'D 3-27-06 SAM OK

Lee Surveying and Mapping Co., Inc.

Land Surveys • Topography • Subdivisions • Construction Layout

117 N. Madriver St.
Bellefontaine OH 43311



Phone: (937) 593-7335
Fax: (937) 593-7444

1975-2005 - 30 YEARS OF EXCELLENCE

**COPELAND
1.324 ACRES**

Lying in Virginia Military Survey 9969, Richland Township, Logan County, Ohio.

Being out of the Helen M. Copeland 10.000 acre tract as deeded and described in Official Record 726, Page 832 of the Logan County Records of Deeds and being more particularly described as follows:

Beginning at a stone found inside a monument box at the northwest corner of Virginia Military Survey 9969, on the center-line of Township Road 38 and within the right-of-way of County Highway 38.

THENCE, with the north line of Virginia Military Survey 9969, parallel to and 15.00 feet south of the center-line of County Highway 38 (60 feet wide), N 83°-00'-00"E, a distance of 450.00 feet to a 5/8 inch iron rod set at the TRUE POINT OF BEGINNING.

THENCE, with the north line of Virginia Military Survey 9969, parallel to and 15.00 feet south of the center-line of County Highway 38, N 83°-00'-00"E, a distance of 150.00 feet to a 5/8 inch iron rod found.

THENCE, with the west line of the Helen M. Copeland 65 acre tract (O.R. 726, Pg. 834), S 6°-49'-37"E, a distance of 373.10 feet to a 5/8 inch iron rod set, passing a 5/8 inch iron rod found at 15.00 feet.

THENCE, S 74°-26'-34"W, a distance of 151.76 feet to a 5/8 inch iron rod set.

THENCE, N 6°-49'-37"W, a distance of 395.69 feet to the point of beginning, passing a 5/8 inch iron rod set at 380.69 feet.

Containing 1.324 acres, of which 0.052 acre is within the highway right-of-way.

The basis for bearings is the north line of Virginia Military Survey 9969, being N 83°-00'-00"E, and all other bearings are from angles and distances measured in a field survey by Lee Surveying and Mapping Co., Inc. on March 21, 2006.

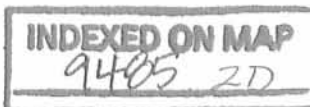


ORIGINAL STAMP IN GREEN

Description prepared by:

[Handwritten Signature]
Jeffrey I. Lee
Professional Surveyor 6359
March 22, 2006

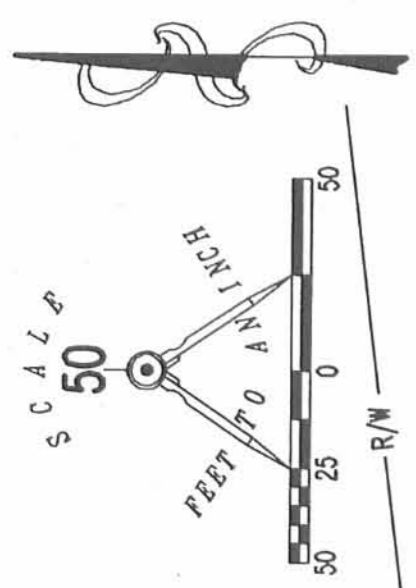
3825036



REV'D 5-21-06 SMM/BK

LEGEND:

- ☐ STONE FOUND INSIDE MONUMENT BOX
- 5/8 INCH IRON ROD FOUND
- 5/8 INCH IRON ROD SET



VIRGINIA MILITARY SURVEY 13393
 VIRGINIA MILITARY SURVEY 12311

COUNTY HIGHWAY 38 (60')

(BASIS FOR BEARINGS)
 N 83°00'00" E
 450.00'

VIRGINIA MILITARY SURVEY 12311
 VIRGINIA MILITARY SURVEY 9969

TOWNSHIP ROAD 38 (40')
 VIRGINIA MILITARY SURVEY 9968
 VIRGINIA MILITARY SURVEY 9969

N 83°00'00" E
 150.00'

15.00'

1.324 ACRES
 OF WHICH 0.052 ACRE IS WITHIN
 THE HIGHWAY RIGHT-OF-WAY

S 06°49'37" E
 373.10'

HELEN M. COPELAND
 65 ACRE TRACT
 O.R. 726, PG. 834

HELEN M. COPELAND
 10,000 ACRES
 O.R. 726, PG. 832

HELEN M. COPELAND
 10,000 ACRES
 O.R. 726, PG. 832

N 06°49'37" W
 395.69'

151.76'
 S 74°26'34" W

**SURVEY OF 1.324 ACRES OUT OF THE
 HELEN M. COPELAND
 10,000 ACRE TRACT
 OFFICIAL RECORD 726, PAGE 832
 VIRGINIA MILITARY SURVEY 9969
 RICHLAND TOWNSHIP
 LOGAN COUNTY, OHIO**

SURVEYED BY:

(Signature)
 JEFFREY I. LEE
 PROFESSIONAL SURVEYOR 6359
 MARCH 21, 2006



2 WORKING DAYS
BEFORE YOU DIG
 CALL TOLL FREE **800-362-2764**
 OHIO UTILITIES PROTECTION SERVICE.

COPYRIGHT 2006 BY:
LEE SURVEYING & MAPPING CO., INC.
 117 North Med River Street
 BELLEFONTAINE, OHIO 43311
 (937) 593-7335
 3825036
 L-3825-3

ORIGINAL STAMP IN GREEN

KSR 00306

L-3825-3

INDEXED ON MAP