

Received 5/15/97 ORGCH



Lee Surveying and Mapping Co., Inc.



Farm Surveys • Lot Surveys • Topography • Subdivisions • Construction Layout

117 NORTH MADRIVER STREET
BELLEFONTAINE, OHIO 43311

(937) 593-7335
FAX (937) 593-7444

LAUTZENHEISER 4.210 ACRES

Lying in Virginia Military Survey 9956, Rushcreek Township, Logan County, Ohio.

Being out of the John A. Lautzenheiser and Carolyn R. Lautzenheiser original 20.09 acre tract as deeded and described in Volume 318, Page 880 of the Logan County Records of Deeds and being more particularly described as follows:

Beginning at a 5/8 inch iron rod found at the intersection of center-lines of Ohio Route 274 and County Highway 40.

THENCE, with the center-line of County Highway 40 (60 feet wide) the following two courses:

N 83°-33'-12" E, a distance of 1156.34 feet to a 5/8 inch iron rod found at center-line station 11+56.7 (Logan County Engineer's Field Book 582, Pp. 52 and 53).

N 83°-28'-00" E, a distance of 1306.84 feet to a railroad spike set at the TRUE POINT OF BEGINNING.

THENCE, with the center-line of County Highway 40, N 83°-28'-00" E, a distance of 215.77 feet to a 1 inch iron bar found.

THENCE, with the west line of the John A. Lautzenheiser II, 5.00 acre tract (O.R.314, Pg. 91), S 6°-18'-11" E, a distance of 849.94 feet to a 5/8 inch iron rod set, passing a 5/8 inch iron rod set at 30.00 feet.

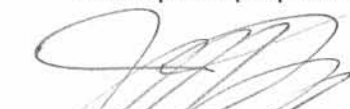
THENCE, S 83°-28'-00" W, a distance of 215.78 feet to a 5/8 inch iron rod set.

THENCE, N 6°-18'-11" W, a distance of 849.94 feet to the point of beginning, passing a 5/8 inch iron rod set at 819.94 feet.

Containing 4.210 acres of which 0.149 acre is within the highway right-of-way.

The basis for bearings is the center-line of County Highway 40 being N 83°-28'-00" E, and all other bearings are from angles and distances measured in a field survey by Lee Surveying and Mapping Co., Inc. on May 1, 1997.

Description prepared by:

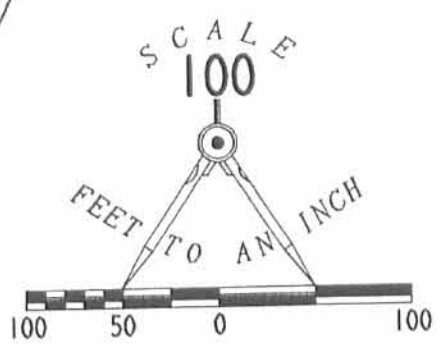
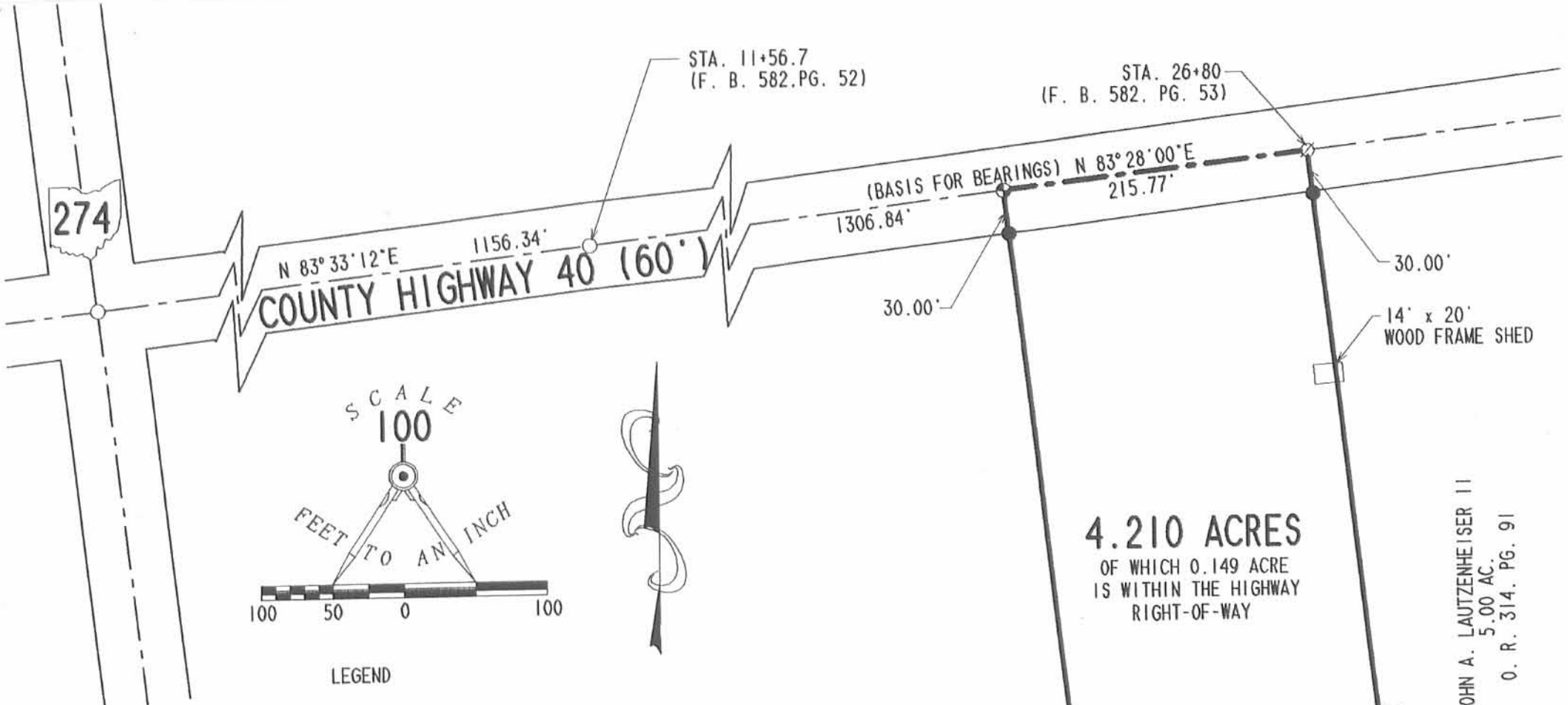

Jeffrey I. Lee
Professional Surveyor 6359
May 12, 1997



L 2385

ORIGINAL STAMP IN GREEN

INDEXED ON MAP
3740 1D



- LEGEND
- 5/8 IRON ROD SET
 - ⊙ RAILROAD SPIKE SET
 - 5/8 IRON ROD FOUND
 - ∅ 1" IRON BAR FOUND

REFERENCES:
 LOGAN COUNTY ENGINEER MAP ROOM FILES:
 R-1524/F. B. 582, PP 52 & 53
 R-3740/F. F. WRIGHT SURVEY, 1964
 LSM FILES: L-107 & L-2356

JOHN A. LAUTZENHEISER
 AND
 CAROLYN R. LAUTZENHEISER
 20.09 AC.
 VOL. 318, PG. 880

**SURVEY OF 4.210 ACRES
 OUT OF THE
 JOHN A. LAUTZENHEISER
 AND
 CAROLYN R. LAUTZENHEISER
 ORIGINAL 20.09 ACRE TRACT
 VOLUME 318, PAGE 880
 VIRGINIA MILITARY SURVEY 9956
 RUSHCREEK TOWNSHIP
 LOGAN COUNTY, OHIO**

**C. C. C. & ST. L. R.R.
 (100' R/W)**



ORIGINAL STAMP IN GREEN

SURVEYED BY:

 JEFFREY L. LEE
 PROFESSIONAL SURVEYOR 6359
 MAY 1, 1997

COPYRIGHT 1997 BY:
LEE SURVEYING & MAPPING CO., INC.
 117 North Madriver Street
 BELLEFONTAINE, OHIO 43311
 (937) 593-7335

2 WORKING DAYS
BEFORE YOU DIG
 CALL TOLL FREE **800-362-2764**
 OHIO UTILITIES PROTECTION SERVICE.

INDEXED ON MAP
 3740 1P

D313 LTZNHSR L-2385-3

Winfield - Heilman Survey Rushcreek Township Nov. 1964 20.09 Acres.

The following described land in Rushcreek Township, Logan County, Ohio, and being in V.M.S. 9956.

Beginning at an iron in the center of County Highway Number 40 at the N.W. corner of a 4.62 acre tract now in the name of V.J. Downey and also being the N.E. corner of a 90.50 acre tract now in the name of Laura H. Heilman and also being Station 26 plus 80 of the survey of said County Highway Number 40 as shown in Logan County Engineer's Field Book Number 582 page 53.

Thence with the west side of said Downey 4.62 acre tract $S 6^{\circ} - 21' E.$ 873.50 feet to a round wood post at the north side of the C.C.C. & St. L Rail Road right of way.

Thence turning $73^{\circ} - 43'$ to the right and measuring ~~888.00 feet to an iron. The last described line being the north right of way fence line of the C.C.C. & St. L. Rail Road.~~ $S. 67^{\circ} - 22' W.$ 888.00 feet to an iron. The last described line being the north right of way fence line of the C.C.C. & St. L. Rail Road.

Thence turning $103^{\circ} - 57'$ to the right and measuring $N. 8^{\circ} - 41' W.$ 1120.50 feet to an iron in the center of said County Highway Number 40.

Thence turning $92^{\circ} - 09'$ to the right and measuring $N. 83^{\circ} - 28' E.$ 898.00 feet to the place of beginning. The last described line being the center line of said County Highway Number 40.

The above described tract contains 20.09 acres and is off on the east side of the present 90.50 acre tract now in the name of Laura H. Heilman.

cc
Logan County Engineer



3740 2D

INDEXED ON MAP



WINFIELD - HEILMAN SURVEY
 V. M. S. 9956
 RUSHCREEK TOWNSHIP
 LOGAN COUNTY, OHIO
 SURVEYED BY F. F. WRIGHT - 1964
 SCALE: 1" = 200'

DRAWN BY D.E.G.
 12/29/64

3740 2P
 INDEXED ON MAP

Revised 4-16-96 OK JEL



Lee Surveying and Mapping Co., Inc.



Farm Surveys • Lot Surveys • Topography • Subdivisions • Construction Layout

143 EAST COLUMBUS AVENUE
BELLEFONTAINE, OHIO 43311

(513) 593-7335
FAX (513) 593-7444

LAUTZENHEISER 3.619 ACRES

Lying in Virginia Military Survey 9956, Rushcreek Township, Logan County, Ohio.

Being out of the John A. Lautzenheiser and Carolyn R. Lautzenheiser 20.09 acre tract as deeded and described in Volume 318, Page 880 of the Logan County Records of Deeds and being more particularly described as follows:

Beginning at a 5/8 inch iron rod found at the intersection of center-lines of Ohio Route 274 and County Highway 40.

THENCE, with the center-line of County Highway 40 (60 feet wide) the following two courses:

N 83°-35'-10" E, a distance of 1156.34 feet to a 5/8 inch iron rod found at angle Station 11 + 56.7 (Logan County Engineer's Field Book 582, Page 52).

N 83°-28'-00" E, a distance of 624.71 feet to a railroad spike found at the TRUE POINT OF BEGINNING.

THENCE, with the center-line of County Highway 40, N 83°-28'-00" E, a distance of 229.50 feet to a railroad spike set.

THENCE, S 8°-41'-00" E, a distance of 687.29 feet to a 5/8 inch iron rod set.


THENCE, S 83°-28'-00" W, a distance of 229.50 feet to a 5/8 inch iron rod set.

THENCE, with the east line of the Joel Craig Straker 53.22 acre tract (O.R. 275, Pg. 818), N 8°-41'-00" W, a distance of 687.29 feet to the point of beginning.

Containing 3.619 acres of which 0.158 acre is within the highway right-of-way.

The basis for bearings is the center-line of County Highway 40 being N 83°-28'-00" E, and all other bearings are from angles and distances measured in a field survey by Lee Surveying and Mapping Co., Inc. on April 10, 1996.

Description prepared by:


Jeffrey I. Lee
Professional Surveyor 6359
April 16, 1996



ORIGINAL STAMP IN GREEN

L 2386

INDEXED ON MAP
3740 3D

COUNTY HIGHWAY 40 (60')

N 83° 35' 10" E
1156.34'

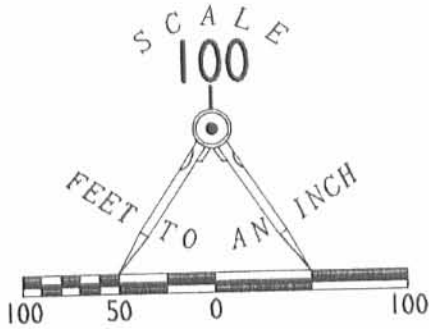
N 83° 28' 00" E
624.71'

N 83° 28' 00" E
229.50'

30.02'

STATION 11+56.7

274



JOHN A. LAUTZENHEISER
20.09 ACRES
VOL. 318, PG. 880

3.619 ACRES

(OF WHICH 0.158 ACRES IS
WITHIN THE HIGHWAY
RIGHT-OF-WAY)

687.29'
S 08° 41' 00" E

N 08° 41' 00" W
687.29'

229.50'
S 83° 28' 00" W

JOHN A. LAUTZENHEISER
20.09 ACRES
VOL. 318, PG. 880

LEGEND

- ⊕ RAILROAD SPIKE SET
- ⊗ RAILROAD SPIKE FOUND
- 5/8" IRON ROD FOUND
- 5/8" IRON ROD SET W/ PLASTIC ID. CAP STAMPED "LEE PS6359"
- ↗ LINE NOT DRAWN TO SCALE

JOEL CRAIG STRAKER
53.22 ACRES
O.R. 275, PG. 818

REFERENCE:

LOGAN COUNTY ENGINEER'S
FIELD BOOK 582, PG 52

SURVEY OF 3.619 ACRES
OUT OF THE
JOHN A. LAUTZENHEISER AND
CAROLYN R. LAUTZENHEISER
20.09 ACRE TRACT
VOLUME 318, PAGE 880
VIRGINIA MILITARY SURVEY 9956
RUSHCREEK TOWNSHIP
LOGAN COUNTY, OHIO

SURVEYED BY:

[Signature]
JEFFREY I. LEE
PROFESSIONAL SURVEYOR 6359
APRIL 10, 1996



COPYRIGHT 1996 BY:
LEE SURVEYING & MAPPING CO., INC.
143 East Columbus Avenue
BELLEFONTAINE, OHIO 43311
(513) 593-7335

D-282

LTZNHSR

L-2386-5

INDEXED ON MAP
3740 3P



2 WORKING DAYS

BEFORE YOU DIG



CALL TOLL FREE 800-362-2764

OHIO UTILITIES PROTECTION SERVICE.

ORIGINAL STAMP IN GREEN