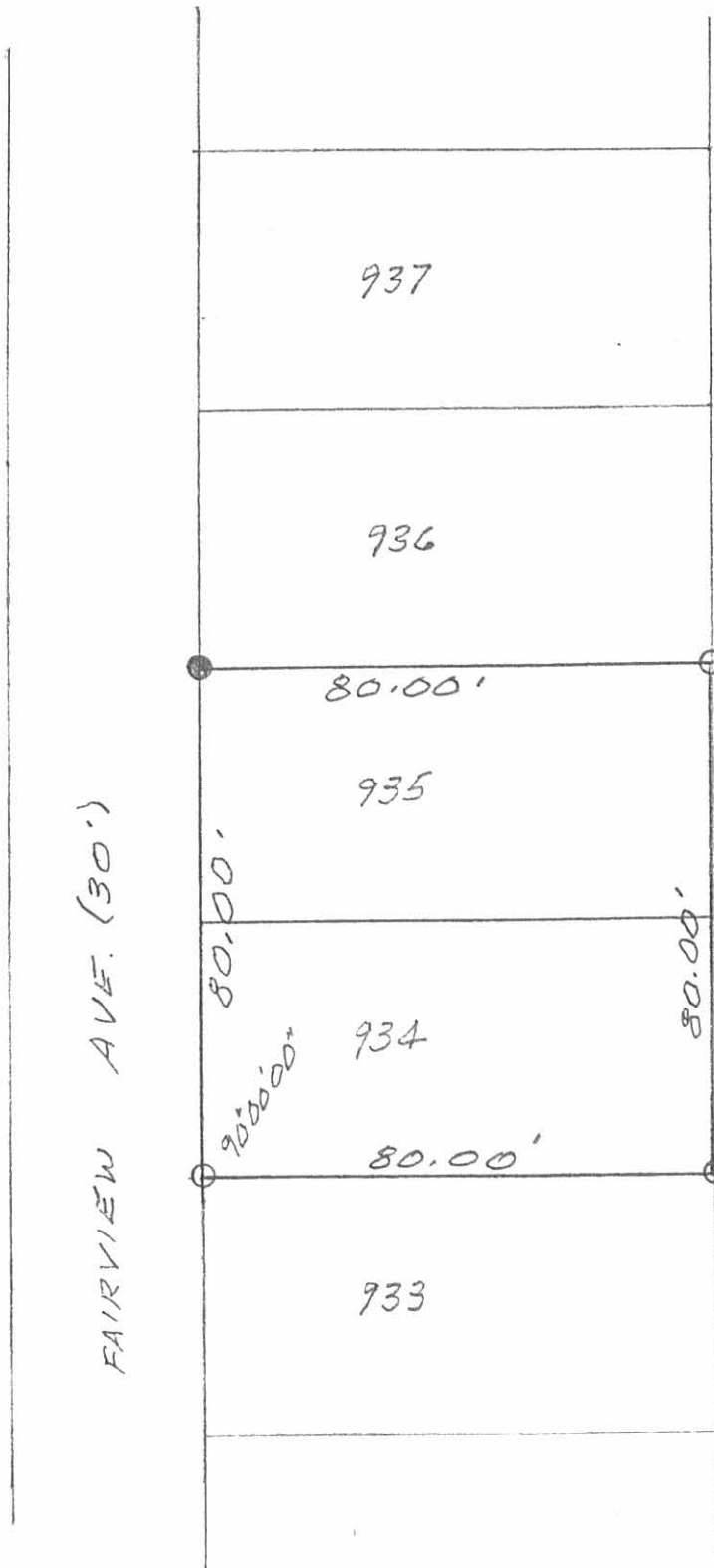


REC'D 4-5-99 SWY

LEGEND:  
● = 5/8" IRON BAR SET IN  
2 1/2" IRON PIPE  
○ = 5/8" IRON BAR SET



SURVEY OF LOTS 934 & 935  
OF THE VILLAGE OF RUSSELLS  
POINT, WASHINGTON TWP.,  
LOGAN COUNTY, OHIO FOR  
KEVIN SPRING.

APRIL 3, 1999  
SCALE: 1" = 30'



INDEXED ON MAP  
8965 IP

Leslie H. Geeslin  
LESLIE H. GEESLIN  
RUSHLYANIA, OHIO  
PH 937-468-2793

REC'D 12-20-94 samy ek

MAP ROOM.



Scale: 1" = 20'

SYMBOLS:

- - P.K. Nails Set.
- - 5/8" x 30" Rebars Set.

*Daniel E. Gilbert*

DANIEL E. GILBERT, P.S.  
 REG. SUR. NO. 5402  
 400 N. PARK ST.  
 BELLEFONTAINE, OHIO 43311  
 TELEPHONE: 1 (513) 593-1428



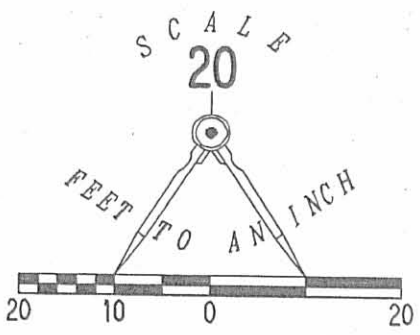
Lot No. 933  
 Village of Russells Point  
 Washington Township  
 Logan County, Ohio  
 December 21, 1994

INDEXED ON MAP  
 8965 2P

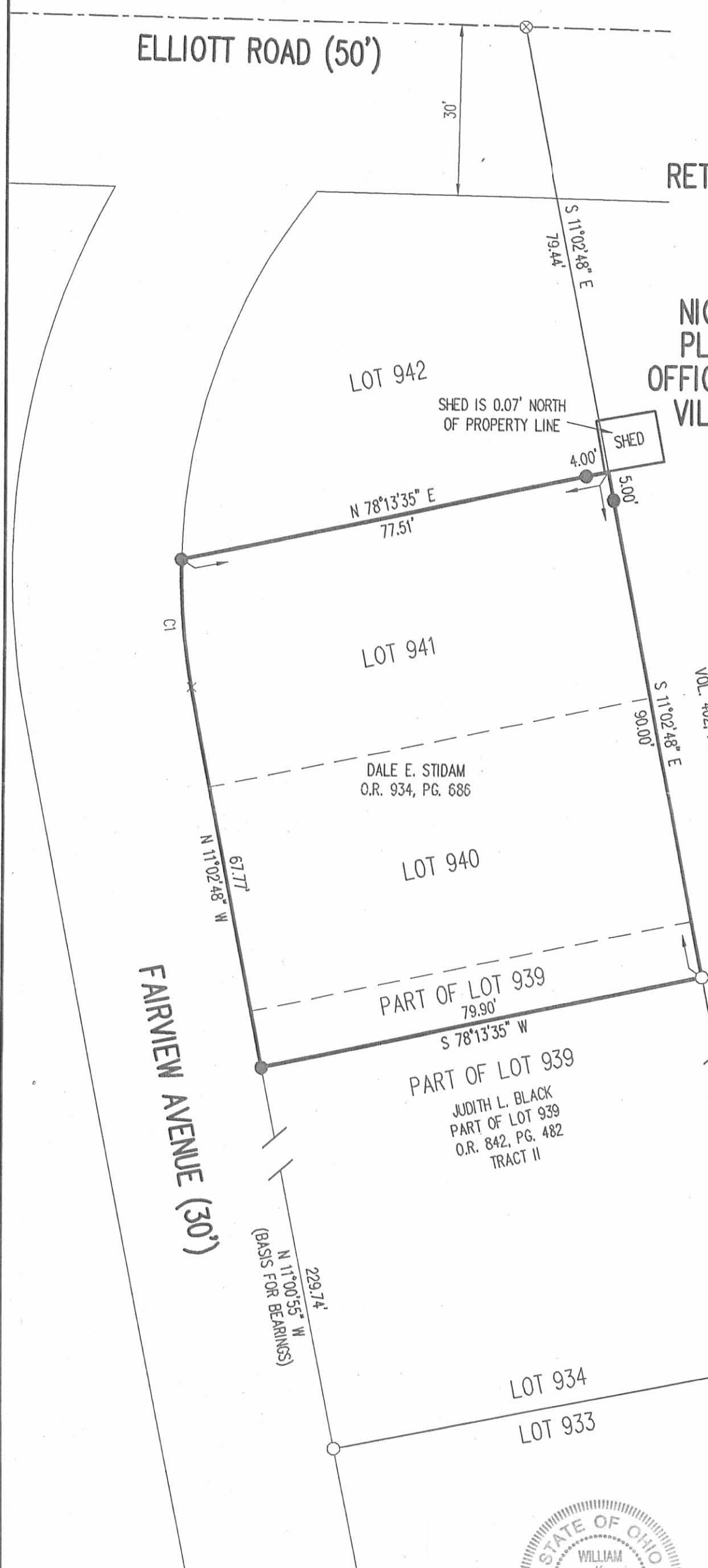
094-074

REC'D 3-11-09 SUM OK

CURVE	DELTA ANGLE	RADIUS	ARC LENGTH	CHORD BEARING	CHORD LENGTH
C1°	12°12'50"	105.24'	22.43'	N 04°56'23" W	22.39'



**RETRACEMENT SURVEY OF THE  
DALE E. STIDAM  
LOTS 941, 940 AND  
PART OF LOT 939  
NICHELSON'S FIRST ADDITION  
PLAT CABINET A, SLIDE 228  
OFFICIAL RECORD 934, PAGE 686  
VILLAGE OF RUSSELLS POINT  
WASHINGTON TOWNSHIP  
LOGAN COUNTY, OHIO**



- LEGEND:
- 5/8 INCH IRON ROD FOUND
  - 5/8 INCH IRON ROD SET
  - ⊗ RAILROAD SPIKE FOUND
  - × CHISLED "X" SET

LOGAN COUNTY COMMISSIONERS  
13.92 ACRES  
VOL. 402, PG. 848

SURVEYED BY:  
*William K. Bruce*  
WILLIAM K. BRUCE  
PROFESSIONAL SURVEYOR 7437  
MARCH 9, 2009



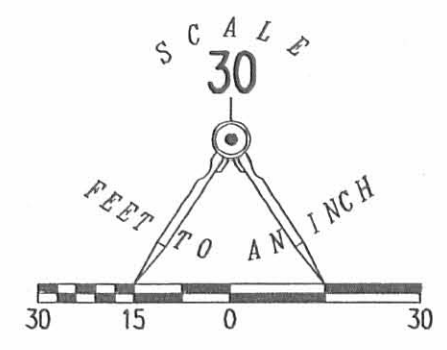
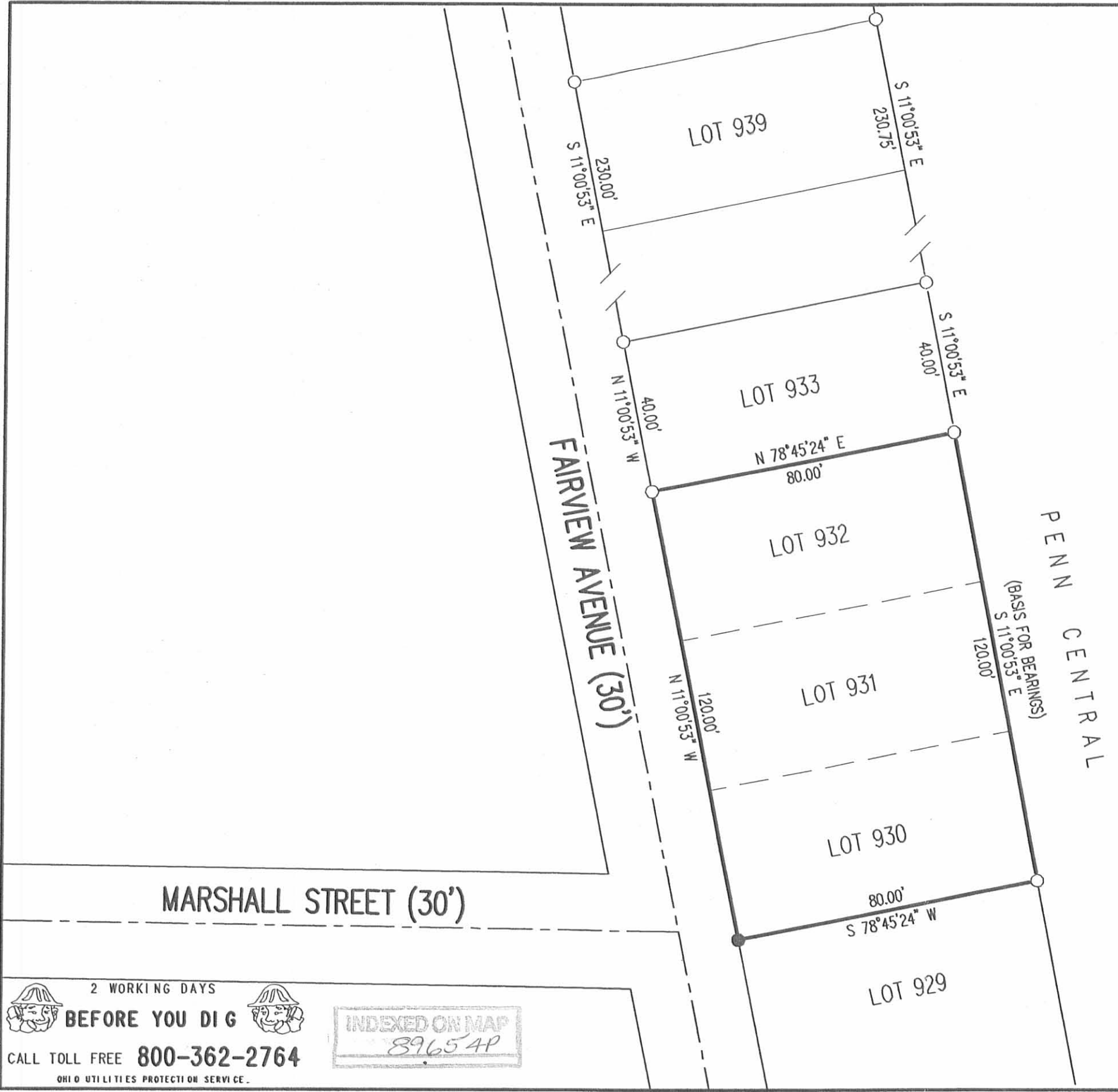
COPYRIGHT 2009 BY:  
**LEE SURVEYING & MAPPING CO., INC.**  
117 North Madriver Street  
BELLEFONTAINE, OHIO 43311  
(937) 593-7335  
surveys@lsmcinc.us  
KSS D0309 933039 L-933-3

2 WORKING DAYS  
**BEFORE YOU DIG**  
CALL TOLL FREE **800-362-2764**  
OHIO UTILITIES PROTECTION SERVICE.

INDEXED ON MAP  
8945 3P

ORIGINAL STAMP IN GREEN

REC'D 3-2-10 SMJ/OK



- LEGEND:
- 5/8 INCH IRON ROD FOUND
  - 5/8 INCH IRON ROD SET WITH PLASTIC I.D. CAP STAMPED "LSM 7437"

RETRACEMENT SURVEY OF  
 LOTS 930, 931 & 932  
 NICHELSONS FIRST ADDITION  
 PLAT CABINET A, SLIDE 228  
 VILLAGE OF RUSSELLS POINT  
 WASHINGTON TOWNSHIP  
 LOGAN COUNTY, OHIO

SURVEYED BY:

*William K. Bruce*  
 WILLIAM K. BRUCE  
 PROFESSIONAL SURVEYOR 7437  
 FEBRUARY 19, 2010



COPYRIGHT 2010 BY:  
**LEE SURVEYING & MAPPING CO., INC.**  
 117 North Madriver Street  
 BELLEFONTAINE, OHIO 43311  
 (937) 593-7335  
 surveys@lsminc.us  
 KSS D0210 4905210 L-4905-3

2 WORKING DAYS  
**BEFORE YOU DIG**  
 CALL TOLL FREE **800-362-2764**  
 OHIO UTILITIES PROTECTION SERVICE.

INDEXED ON MAP  
 89654P