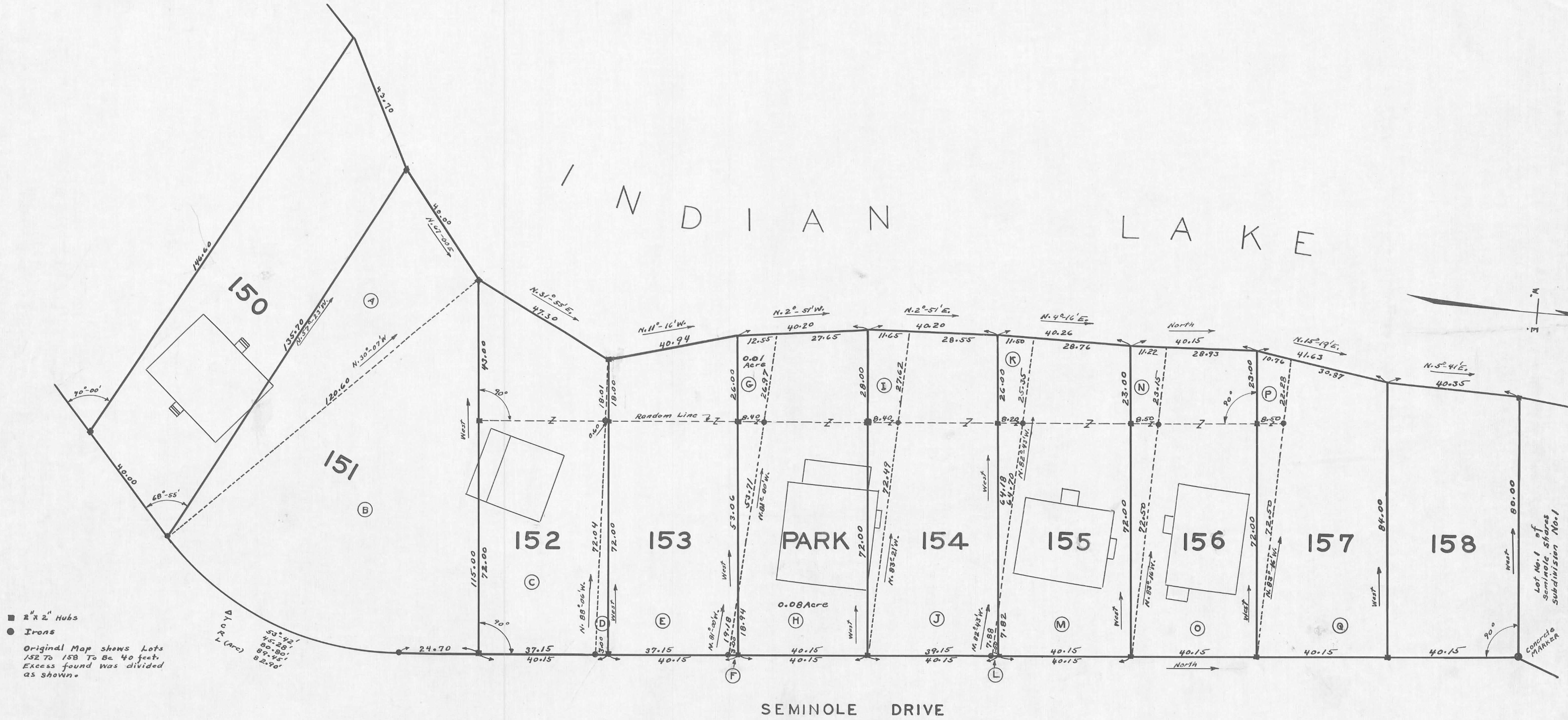


INDIAN LAKE



■ 2" X 2" Hubs
 ● Irons
 Original Map shows Lots 152 to 158 to be 40 feet. Excess found was divided as shown.

Part of Lot	Present Owner (7-30-1945)	To
151 (A)	Geo. O. Grimes et ux. (No Transfer)	W.H. Brown
157 (B)	Geo. O. Grimes et ux. (No Transfer)	Geo. O. Grimes et ux.
152 (C)	L.J. Kraus	Alice Merideth
153 (D)	L.J. Kraus (No Transfer)	L.J. Kraus
153 (E)	Alice Merideth (No Transfer)	L.J. Kraus
153 (F)	County Commissioners	Alice Merideth
154 (G)	County Commissioners	Alice Merideth
154 (H)	C.A. Mitchell et ux.	County Commissioners (For Park)
154 (I)	C.A. Mitchell et ux.	County Commissioners (For Park)
154 (J)	C.A. Mitchell et ux. (No Transfer)	C.A. Mitchell et ux.
154 (K)	Geo. A. & Ruth P. Strabach	C.A. Mitchell et ux.
154 (L)	Geo. A. & Ruth P. Strabach (No Transfer)	C.A. Mitchell et ux.
157 (M)	Geo. A. & Ruth P. Strabach (No Transfer)	Geo. A. & Ruth P. Strabach (Note P + Q is all of Lot 157)
157 (N)	Nellie M. Robinson	Geo. A. & Ruth P. Strabach (Note P + Q is all of Lot 157)

RE SURVEY LOTS 151 TO 158
SEMINOLE ISLAND
 SUBDIVISION A
 V.M.S. 12276
 STOKES TOWNSHIP — LOGAN COUNTY OHIO
 1" = 15'-0"
 JULY 1945
 F.F. WRIGHT
 GROVER WILGUS



DESCRIPTION OF PT. LOTS 154-155
SUBDIVISION A OF SEMINOLE ISLAND
STOKES TOWNSHIP

January 13, 1969

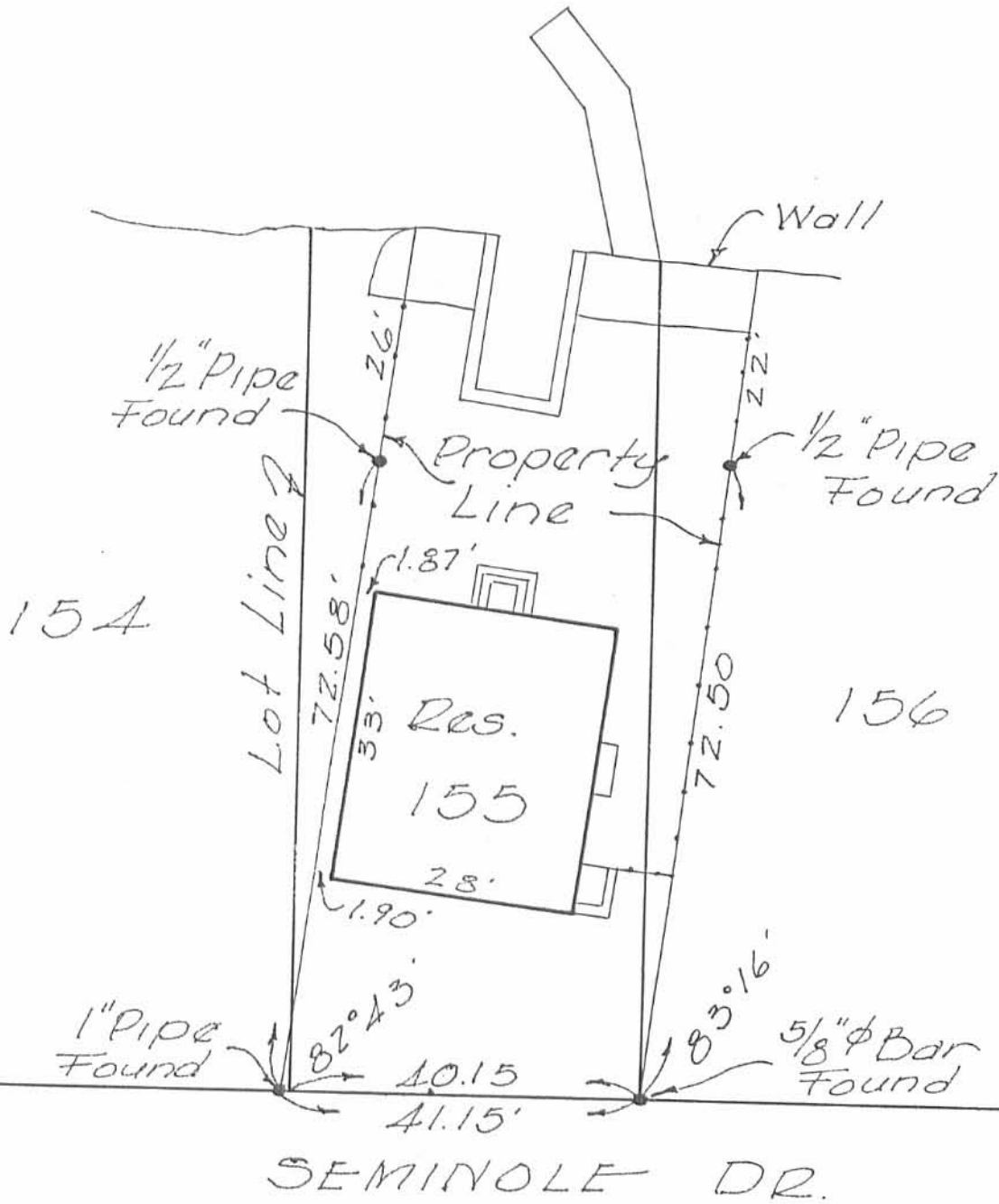
The following described real estate situated in Stokes Township, Logan County, Ohio and being part of lots 154 and 155 of Subdivision A of Seminole Island as shown on Logan County Recorders Plat Book C, Volume 3, Page 35 and 36 and more particularly described as follows:

Beginning at a stake in the west line of Seminole Drive at the southeast corner of lot 154; thence N. $83^{\circ}21'$ W. 100.11 feet to the west line of said lot 154; thence with said west line N. $2^{\circ}51'$ E. 28.55 feet to the southwest corner of lot 155; thence with the west line of said lot 155, N. $4^{\circ}16'$ E. 11.50 feet; thence S. $82^{\circ}43'$ E. 90.05 feet to the south line of lot 155; thence continuing S. $82^{\circ}43'$ E. 7.88 feet to an iron bar in the west line of Seminole Drive 1.00 feet south of the southeast corner of lot 155; thence with the west line of Seminole Drive south 39.15 feet to the place of beginning.

INDEXED ON MAP
2091

-1D

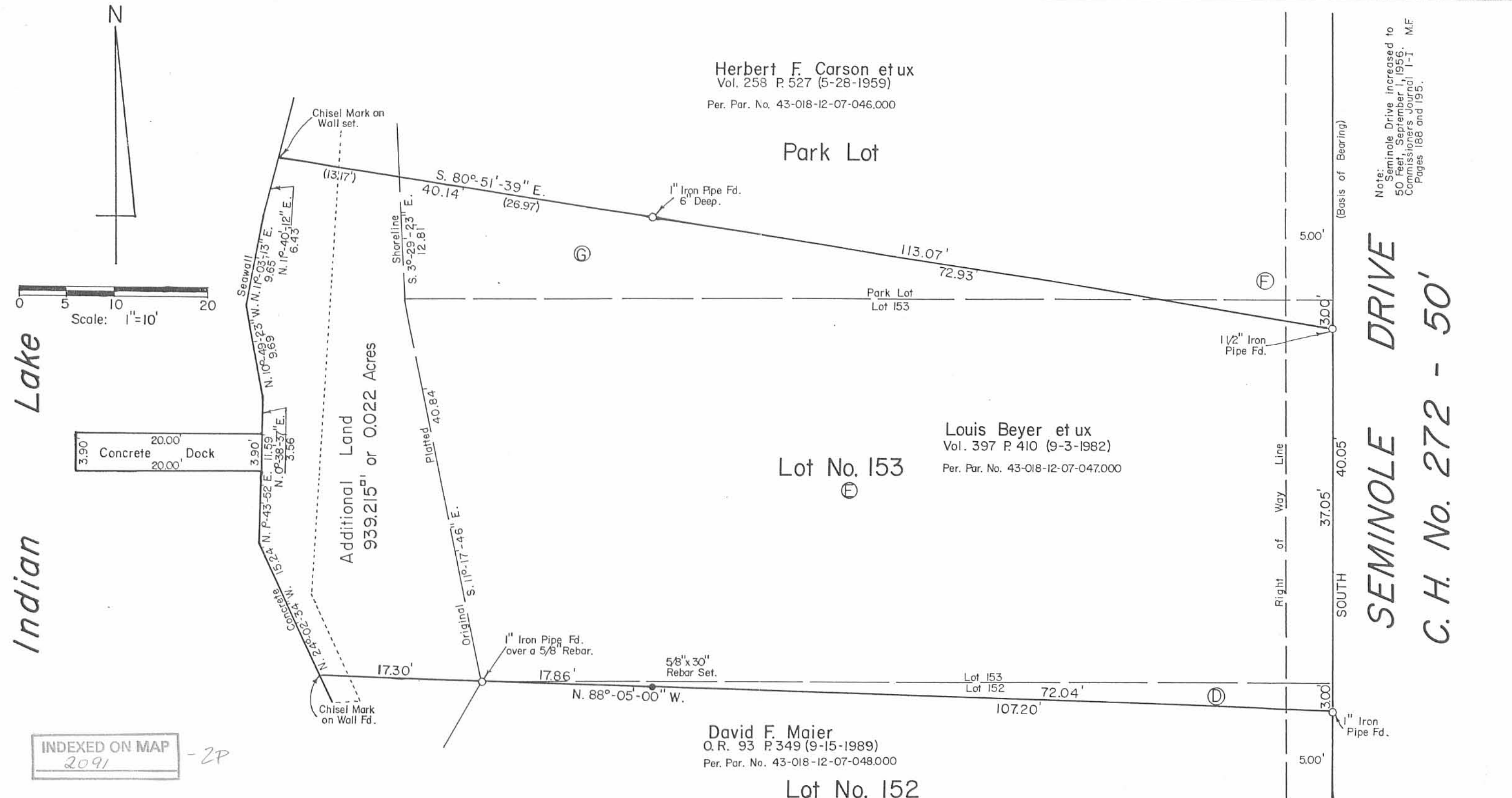
INDIAN LAKE



SURVEY OF PT. LOT 155-156
SEMINOLE SUB'D. "A"
STOKES TOWNSHIP
LOGAN COUNTY, OHIO
FEB. 22, 1969
SCALE 1" = 20'

INDEXED ON MAP
2091 -1P

Dan L. Dodson
Reg. Surveyor 4277
Bellefontaine, O.



Note: Seminole Drive increased to 50 Feet, September 1, 1956. Commissioners Journal 1-1 M.F. Pages 188 and 195.

Reference:
Resurvey of Lots 151 to 158.
Seminole Island Subdivision A.
July 1945.
Plat Cab. "A", Slide 254-255.



Daniel E. Gilbert
DANIEL E. GILBERT, P.S.
REG. SUR. NO. 5402
400 N. PARK ST.
BELLEFONTAINE, OHIO 43011
TELEPHONE: 1 (513) 593-4429

TOLERANCES (EXCEPT AS NOTED)	REVISIONS		
	NO.	DATE	BY
DECIMAL	1		
±	2		
FRACTIONAL	3		
±	4		
ANGULAR	5		
±			

Louis Beyer Property Resurvey Lot No. 152D, 153E and Park Lot G Seminole Island Subdivision, Stokes Township, Logan County, Ohio.		
DRAWN BY DEG	SCALE 1"=10'	MATERIAL
CHK'D	DATE 7-9-1991	DRAWING NO.
TRACED	APP'D	091-032

Red 1-31-05 SUM OK

INDIAN LAKE

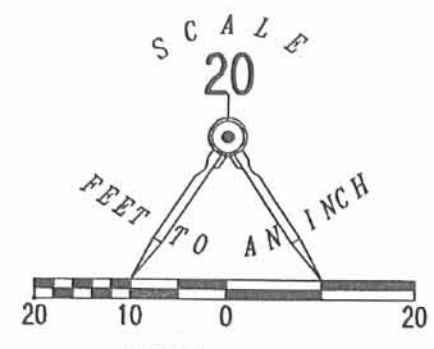
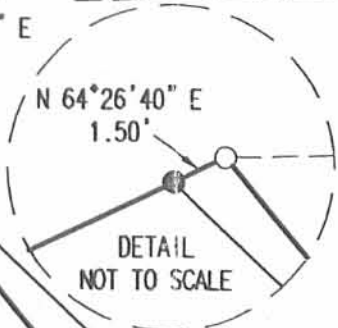
BOAT WELL COVERED WITH DECK/ROOF

SEMINOLE ISLAND
PLAT CABINET A, SLIDE 233

JOSEPH WROTEN
8.91 SQUARE FEET
VOL. 338, PG. 943
(SEE NOTE 2)

LOT 152

SEE
DETAIL



- LEGEND:
- 5/8 INCH IRON ROD FOUND
 - ⊙ 1/2 INCH IRON PIPE FOUND
 - 5/8 INCH IRON ROD SET

DAVID F. MAIER
PART OF LOTS 151 & 152
O.R. 93, PG. 349
(TRACT I)

LOT 151
TRACT II
(0.054 ACRE)

0.139 ACRE

SHAWN CHRISTOPHER HAWK
PARTS OF LOTS 149, 150 & 151
O.R. 747, PG. 554

SUPERIOR METAL PRODUCTS, INC.
PART OF LOT 151
VOL. 338, PG. 946

LOT 150

TRACT I
(0.084 ACRE)

LOT 149

BECKY J. BREWER
PARTS OF LOTS 148, 149 & 150
O.R. 701, PG. 850

LOT 148

NOTES:

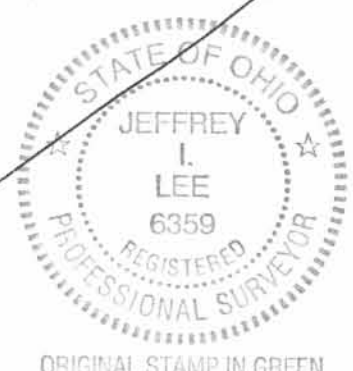
1. CURRENT DEED DOES NOT INCLUDE THE PARCEL DEEDED FROM JOSEPH WROTEN AND LINDA L. WROTEN TO SUPERIOR METAL PRODUCTS, INC., RECORDED IN VOL. 338, PG. 943.

2. CURRENT DEED DOES NOT INCLUDE AN EXCEPTION THAT WAS TRANSFERRED TO JOSEPH WROTEN AND LINDA L. WROTEN BY SUPERIOR METAL PRODUCTS, INC., RECORDED IN VOL. 338, PG. 943.

**RETRACEMENT SURVEY OF THE
SHAWN CHRISTOPHER HAWK
PARTS OF LOTS 149, 150 & 151
SEMINOLE ISLAND
PLAT CABINET A, SLIDE 233
OFFICIAL RECORD 747, PAGE 554
VIRGINIA MILITARY SURVEY 12276
STOKES TOWNSHIP
LOGAN COUNTY, OHIO**

SURVEYED BY:

Jeffrey I. Lee
JEFFREY I. LEE
PROFESSIONAL SURVEYOR 6359
NOVEMBER 18, 2004
REVISED NOVEMBER 29, 2004



COPYRIGHT 2004 BY:
LEE SURVEYING & MAPPING CO., INC.
117 North Madriver Street
BELLEFONTAINE, OHIO 43311
(937) 593-7335

2 WORKING DAYS
BEFORE YOU DIG
CALL TOLL FREE **800-362-2764**
OHIO UTILITIES PROTECTION SERVICE.

CURVE	DELTA ANGLE	RADIUS	ARC LENGTH	CHORD BEARING	CHORD LENGTH
C1	08°37'33"	89.45'	13.47'	S 54°31'33" W	13.45'

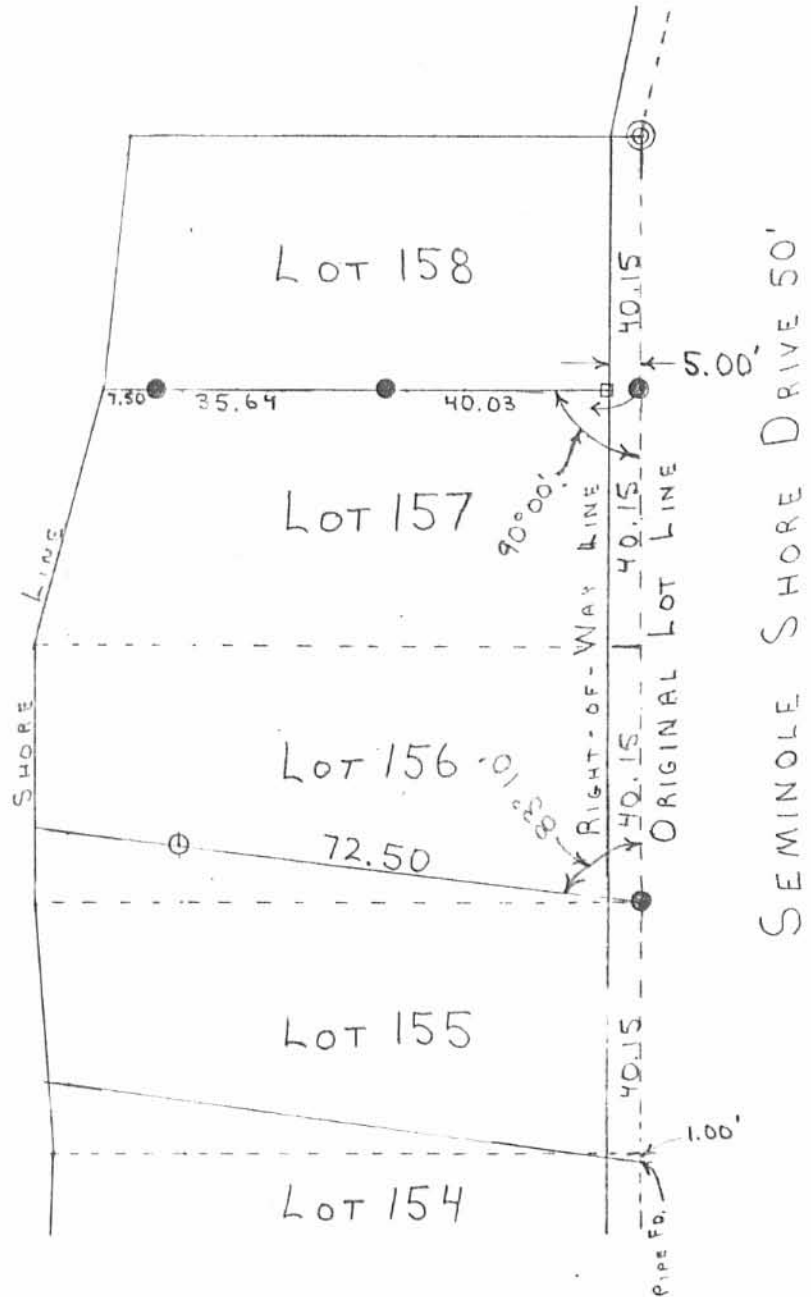
INDEXED ON MAP
2091



SCALE: 1" = 30'

LEGEND:

- ⊙ = CONC. MON. FD.
- = IRON PIPE FD.
- = 5/8" IRON BAR FD.
- = 5/8" IRON BAR SET



SURVEY OF LOT 157 AND PART LOT 156
 IN SUBDIVISION A, SEMINOLE ISLAND
 STOKES TWP., LOGAN CO., OHIO.

AUGUST 20, 1987
 REF: PLAN No. J-65



Leslie H. Geeslin
 LESLIE H. GEESLIN
 RUSHSVLVANIA, OHIO

INDEXED ON MAP
 2091

-47

REID 11-16-08 SMJ OK

Lee Surveying and Mapping Co., Inc.

Land Surveys • Topography • Subdivisions • Construction Layout

117 N. Madriver St.
Bellefontaine OH 43311



Phone: (937) 593-7335
Fax: (937) 593-7444

HAWK 0.156 ACRE

Lying in Virginia Military Survey 12276, Stokes Township, Logan County, Ohio.

Being all of the Beverly A. Hawk parts of Lots 149, 150 & 151 of Seminole Island (Plat Cabinet A, Slide 233) as deeded and described in Official Record 932, Page 392, Tracts I, II, III and IV of the Logan County Records of Deeds and being more particularly described as follows:

Beginning on a 5/8 inch iron rod found on the southeast corner of Lot 151 and northeast corner of Lot 150 and on the westerly right-of-way of Seminole Shore Drive.

THENCE, with the easterly lines of Lot 150 and Lot 149 and the westerly right-of-way of Seminole Shore Drive (40 feet wide), S 53°-42'-29"W, a distance of 45.30 feet to a 5/8 inch iron rod found.

THENCE, with the northerly line of the Becky J. Brewer parts of Lots 149 & 150 (O.R. 701, Pg. 850), N 42°-22'-23"W, a distance of 131.30 feet to a point on a concrete boat well, passing a 1/2 inch iron pipe found at 103.90 feet.

THENCE, with the westerly line of Lot 150, N 66°-31'-29"E, a distance of 13.36 feet to a point at the northwest corner of Lot 150.

THENCE, with the westerly line of Lot 151, N 64°-26'-40"E, a distance of 38.50 feet to a 5/8 inch iron rod set.

THENCE, with the southerly lines of the David F. Maier part of Lots 151 & 152 (O.R. 93, Pg. 349, Tract I), S 46°-32'-21"E, a distance of 122.57 feet to a 5/8 inch iron rod found on the westerly right-of-way of Seminole Shore Drive, passing a 5/8 inch iron rod set at 11.99 feet.

THENCE, with the westerly right-of-way of Seminole Shore Drive, a curve to the right, having a central angle of 08°-37'-33", a radius of 89.45 feet, an arc length of 13.47 feet, a chord bearing S 54°-31'-33"W, a distance of 13.45 feet to the point of beginning.

Containing 0.156 acre.

The basis for bearings is the center-line of Seminole Shore Drive, being N 53°-42'-29"E, and all other bearings are from angles and distances measured in a field survey by Lee Surveying and Mapping Co., Inc. on November 18, 2004.

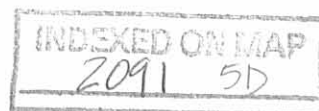


ORIGINAL STAMP IN GREEN

Description prepared by:

William K. Bruce
Professional Surveyor 7437
November 5, 2008

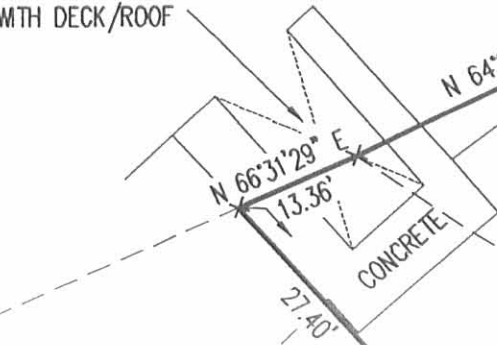
3940118



REC'D 11-6-08 SMY OK

INDIAN LAKE

BOAT WELL COVERED WITH DECK/ROOF



LOT 152

DAVD F. MAIER
PART OF LOTS 151 & 152
O.R. 93, PG. 349
(TRACT I)

LOT 151
TRACT II
(0.054 ACRE)

0.156 ACRE

BEVERLY A. HAWK
PARTS OF LOTS 149, 150 & 151
O.R. 932, PG. 392

TRACT I
(0.084 ACRE)

TRACT III
(0.017 ACRE)

TRACT IV
(0.001 ACRE)

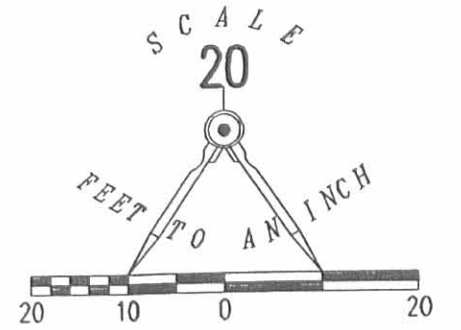
LOT 149

BECKY J. BREWER
PARTS OF LOTS 148, 149 & 150
O.R. 701, PG. 850

LOT 148

SEMINOLE ISLAND
PLAT CABINET A, SLIDE 233

SEMINOLE SHORE DRIVE (40')
N 53°42'29" E
(BASIS FOR BEARINGS)



LEGEND:

- 5/8 INCH IRON ROD FOUND
- ⊙ 1/2 INCH IRON PIPE FOUND
- 5/8 INCH IRON ROD SET

**RETRACEMENT SURVEY OF THE
BEVERLY A. HAWK
PARTS OF LOTS 149, 150 & 151
SEMINOLE ISLAND
PLAT CABINET A, SLIDE 233
OFFICIAL RECORD 932, PAGE 392
TRACTS I, II, III AND IV
VIRGINIA MILITARY SURVEY 12276
STOKES TOWNSHIP
LOGAN COUNTY, OHIO**

SURVEYED BY:

William K. Bruce

WILLIAM K. BRUCE
PROFESSIONAL SURVEYOR 7437
NOVEMBER 18, 2004
REVISED NOVEMBER 29, 2004
REVISED NOVEMBER 5, 2008



COPYRIGHT 2008 BY:
LEE SURVEYING & MAPPING CO., INC.
117 North Madriver Street
BELLEFONTAINE, OHIO 43111
(937) 593-7335

KSS D1108 3940118 L-3940-3

CURVE	DELTA ANGLE	RADIUS	ARC LENGTH	CHORD BEARING	CHORD LENGTH
C1	08°37'33"	89.45'	13.47'	S 54°31'33" W	13.45'

ORIGINAL STAMP IN GREEN

2 WORKING DAYS
BEFORE YOU DIG

CALL TOLL FREE **800-362-2764**

OHIO UTILITIES PROTECTION SERVICE

INDEXED ON MAP
2091 5P

Lee Surveying and Mapping Co., Inc.

Land Surveys • Topography • Subdivisions • Construction Layout

117 N. Madriver St.
Bellefontaine OH 43311



Phone: (937) 593-7335
Fax: (937) 593-7444
surveys@lsminc.us

STATE OF OHIO 0.006 ACRE

Lying in Virginia Military Survey 12276, Stokes Township, Logan County, Ohio.

Being out of the State of Ohio Indian Lake Reservoir Lands and being more particularly described as follows:

Commencing on a 5/8 inch iron rod found on the southeast corner of Lot 150 of Seminole Island (Plat Cabinet A, Slide 233) on the north right-of-way of Seminole Shore Drive.

THENCE, with the south lines of the Susan M. Schlegel and Kara M. Schlegel, Trustees 0.156 acre tract (O.R. 1029, Pg. 653) and the north right-of-way of Seminole Shore Drive (50 feet wide), S 53°-42'-29"W, a distance of 45.30 feet to a 5/8 inch iron rod found.

THENCE, with the west line of the said 0.156 acre tract, N 42°-22'-23"W, a distance of 131.30 feet to a MAG nail set at the TRUE POINT OF BEGINNING, passing a 1/2 inch iron pipe found at 103.90 feet.

THENCE, with the west line of the said 0.156 acre tract extended, N 42°-22'-23"W, a distance of 10.30 feet to a point on the face of a concrete seawall, passing a MAG nail set at 10.00 feet.

THENCE, with the face of the concrete seawall, the following two courses:

N 42°-00'-39"E, a distance of 0.60 feet to a point.

N 44°-14'-50"W, a distance of 0.36 feet to a point.

THENCE, with the face of the concrete seawall, said line extended and with the face of the concrete seawall, N 47°-39'-01"E, a distance of 19.33 feet to a point.

THENCE, with the face of the concrete seawall, S 40°-59'-50"E, a distance of 17.12 feet to a point on the north line of the aforesaid 0.156 acre tract.

THENCE, with the north line of said 0.156 acre tract, the following two courses:

S 64°-26'-40"W, a distance of 7.18 feet to a point in the water, passing a MAG nail set at 2.18 feet.

S 66°-31'-29"W, a distance of 13.36 feet to the point of beginning.

Containing 0.006 acre.

Property is subject to any and all previous easements and rights-of-way of record.

The basis for bearings is the center-line of Seminole Shore Drive, being N 53°-42'-29"E, and all other bearings are from angles and distances measured in a field survey by Lee Surveying and Mapping Co., Inc. on September 9, 2011.

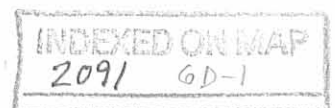


ORIGINAL STAMP IN GREEN

Description prepared by:

William K. Bruce

William K. Bruce
Professional Surveyor 7437
September 12, 2011

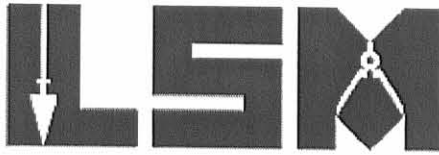


39400811

Lee Surveying and Mapping Co., Inc.

Land Surveys • Topography • Subdivisions • Construction Layout

117 N. Madriver St.
Bellefontaine OH 43311



Phone: (937) 593-7335
Fax: (937) 593-7444
surveys@lsminc.us

STATE OF OHIO 0.001 ACRE

Lying in Virginia Military Survey 12276, Stokes Township, Logan County, Ohio.

Being out of the State of Ohio Indian Lake Reservoir Lands and being more particularly described as follows:

Commencing on a 5/8 inch iron rod found on the southeast corner of Lot 150 of Seminole Island (Plat Cabinet A, Slide 233) on the north right-of-way of Seminole Shore Drive.

THENCE, with the south lines of the Susan M. Schlegel and Kara M. Schlegel, Trustees 0.156 acre tract (O.R. 1029, Pg. 653) and the north right-of-way of Seminole Shore Drive (50 feet wide), S 53°-42'-29"W, a distance of 45.30 feet to a 5/8 inch iron rod found.

THENCE, with the west line of the said 0.156 acre tract, N 42°-22'-23"W, a distance of 131.30 feet to a MAG nail set, passing a 1/2 inch iron pipe found at 103.90 feet.

THENCE, with the north line of the said 0.156 acre tract, the following two courses:

N 66°-31'-29"E, a distance of 13.36 feet to a point in the water.

N 64°-26'-40"E, a distance of 24.55 feet to a point on the face of a concrete seawall at the TRUE POINT OF BEGINNING, passing a MAG nail set at 5.00 feet.

THENCE, with the face of the concrete seawall, N 49°-27'-07"E, a distance of 13.12 feet to a point.

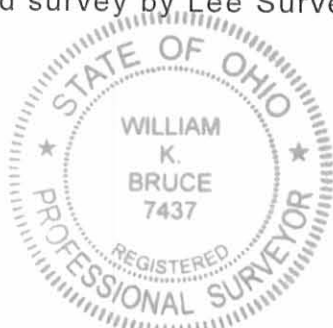
THENCE, with the east line of the aforesaid 0.156 acre tract extended, S 46°-32'-21"E, a distance of 3.64 feet to a MAG nail set, passing a MAG nail set at 0.34 feet.

THENCE, with the north line of said 0.156 acre tract, S 64°-26'-40"W, a distance of 13.98 feet to the point of beginning, passing a MAG nail set at 12.69 feet.

Containing 0.001 acre.

Property is subject to any and all previous easements and rights-of-way of record.

The basis for bearings is the center-line of Seminole Shore Drive, being N 53°-42'-29"E, and all other bearings are from angles and distances measured in a field survey by Lee Surveying and Mapping Co., Inc. on September 9, 2011.



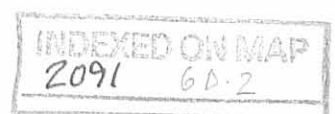
ORIGINAL STAMP IN GREEN

Description prepared by:

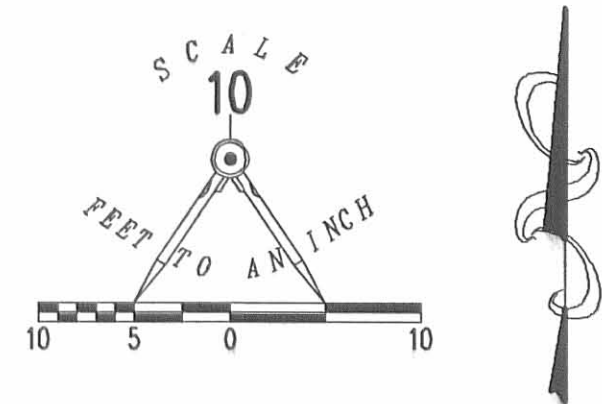
A handwritten signature in cursive script that reads 'William K. Bruce'.

William K. Bruce
Professional Surveyor 7437
September 12, 2011

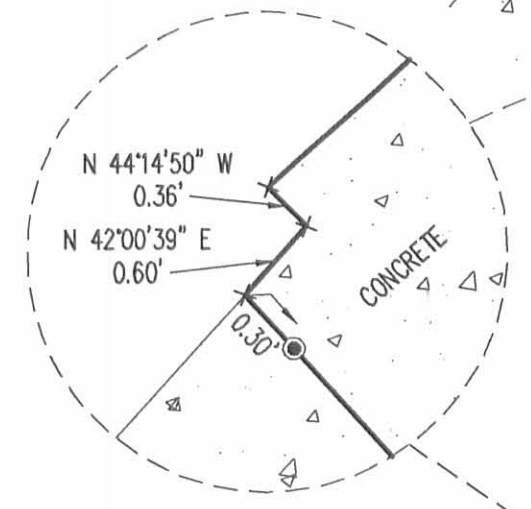
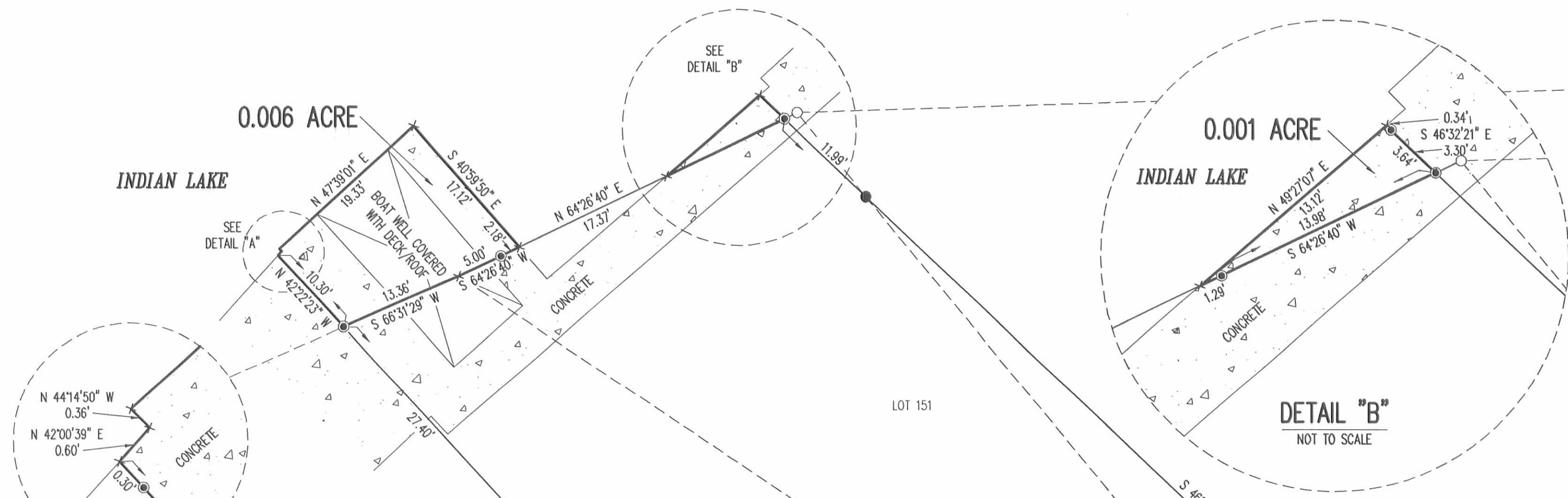
39400811



RAID 9-27-11 SMM/CL



- LEGEND:
- 5/8 INCH IRON ROD FOUND
 - ⊙ 1/2 INCH IRON PIPE FOUND
 - 5/8 INCH IRON ROD SET
 - ⊙ MAG NAIL SET
 - R/W = RIGHT-OF-WAY
 - P/L = PROPERTY LINE



SEMINOLE ISLAND
PLAT CABINET A, SLIDE 233

DAVID F. MAIER
PART OF LOTS 151 & 152
O.R. 93, PG. 349
(TRACT I)

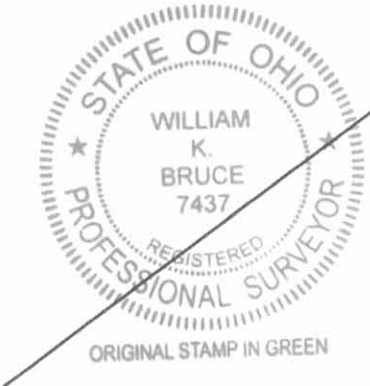
SUSAN M. SCHLEGEL AND
KARA M. SCHLEGEL, TRUSTEES
0.156 ACRE
PARTS OF LOTS 149 & 151
O.R. 1029, PG. 653

BECKY J. BREWER
PARTS OF LOTS 148, 149 & 150
O.R. 701, PG. 850

SURVEY OF TWO TRACTS OUT OF THE
STATE OF OHIO
INDIAN LAKE RESERVOIR LANDS
VIRGINIA MILITARY SURVEY 12276
STOKES TOWNSHIP
LOGAN COUNTY, OHIO

SURVEYED BY:
William K. Bruce
WILLIAM K. BRUCE
PROFESSIONAL SURVEYOR 7437
SEPTEMBER 9, 2011

COPYRIGHT 2011 BY:
LEE SURVEYING & MAPPING CO., INC.
117 North Madriver Street
BELLEFONTAINE, OHIO 43311
(937) 593-7335
surveys@lsmc.us



SEMINOLE SHORE DRIVE (50') (VOL. 275, PG. 33)
N 53°42'29" E
(BASIS FOR BEARINGS)

INDEXED ON MAP
2091 6P

2 WORKING DAYS
BEFORE YOU DIG
CALL TOLL FREE 800-362-2764
OHIO UTILITIES PROTECTION SERVICE