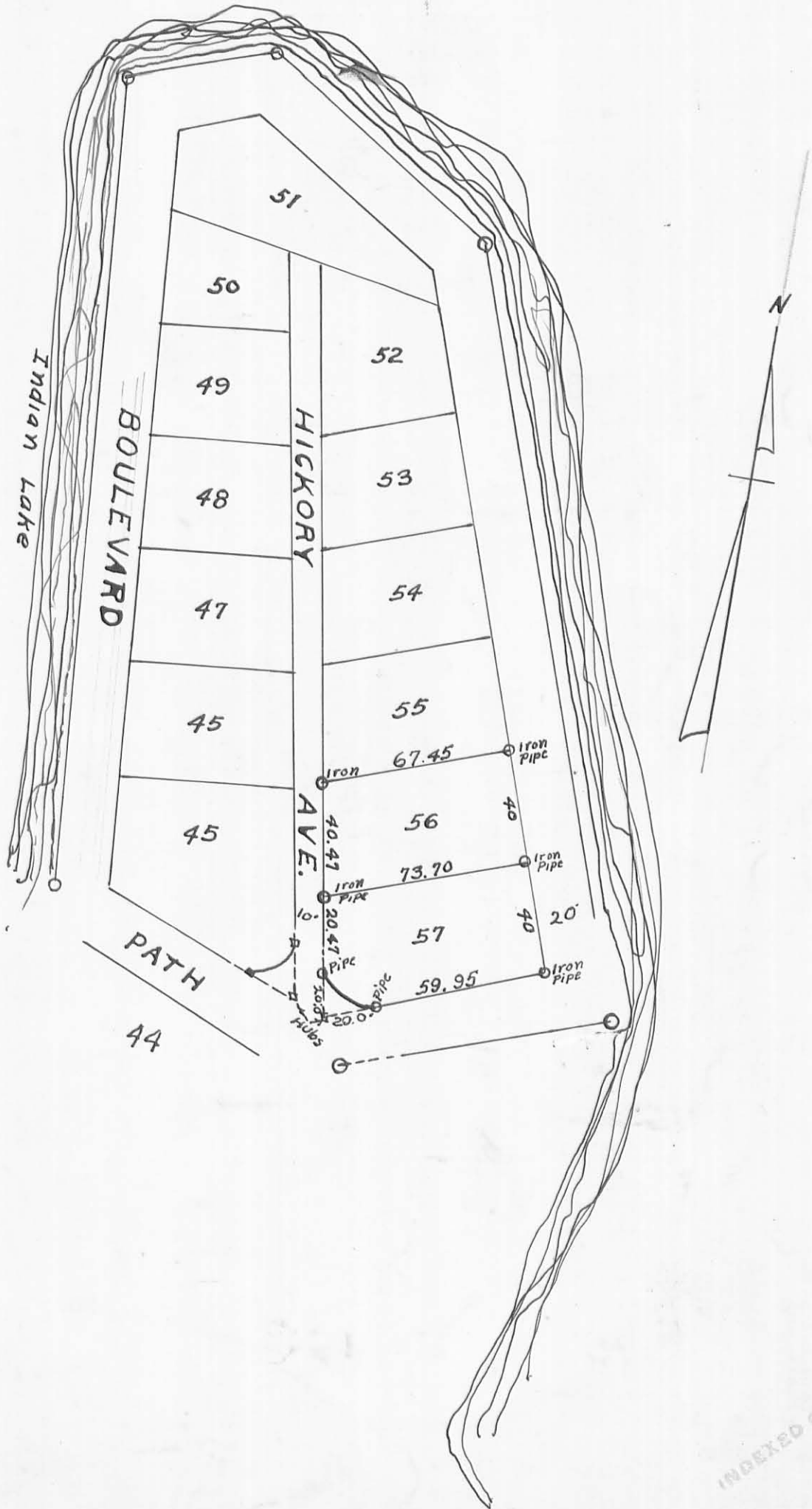


SURVEY OF LOTS 56 & 57
 WATERBURY
 WALTER M. SMITH

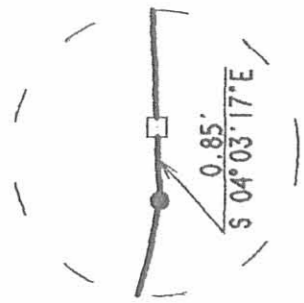


INDEXED ON MAP

2395/1P

Received 4/16/04 JLL

CURVE	DELTA ANGLE	RADIUS	ARC	TANGENT	CHORD	CHORD	BEARING
C 1	56° 57' 00"	20.99'	20.86'	11.39'	20.02'		S 37° 58' 43" W



DETAIL SKETCH A

LOT 46

N 82° 52' 09" E
93.73'

LOT 45

89.21'
N 69° 37' 51" W
BASIS FOR BEARINGS

PATH (20')

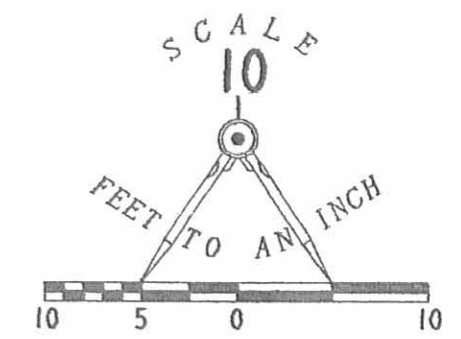
SEE DETAIL SKETCH A

C1
20.86'

49.00'
S 04° 03' 17" E

HICKORY AVENUE (10')

36.65'
N 12° 37' 06" W



LEGEND

- 5/8 INCH IRON ROD SET
- 1 INCH IRON PIPE FOUND
- 5/8 INCH IRON ROD FOUND
- 1/2 INCH SQUARE IRON ROD FOUND

RETRACEMENT SURVEY OF
LOT 45
WATERBURY SUMMER RESORT
PLAT BOOK C, VOLUME 3, PAGE 1-2
VIRGINIA MILITARY SURVEY
9925, 9946, 10121
WASHINGTON TOWNSHIP
LOGAN COUNTY, OHIO



SURVEYED BY:
[Signature]
JEFFREY I. LEE
PROFESSIONAL SURVEYOR 6359
MARCH 31, 2004

COPYRIGHT 2004 BY:
LEE SURVEYING & MAPPING CO., INC.
117 North Madriver Street
BELLEFONTAINE, OHIO 43311
(937) 593-7335

DAN D412 3778034 L-3778

INDIAN LAKE

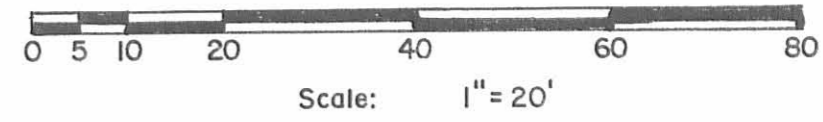
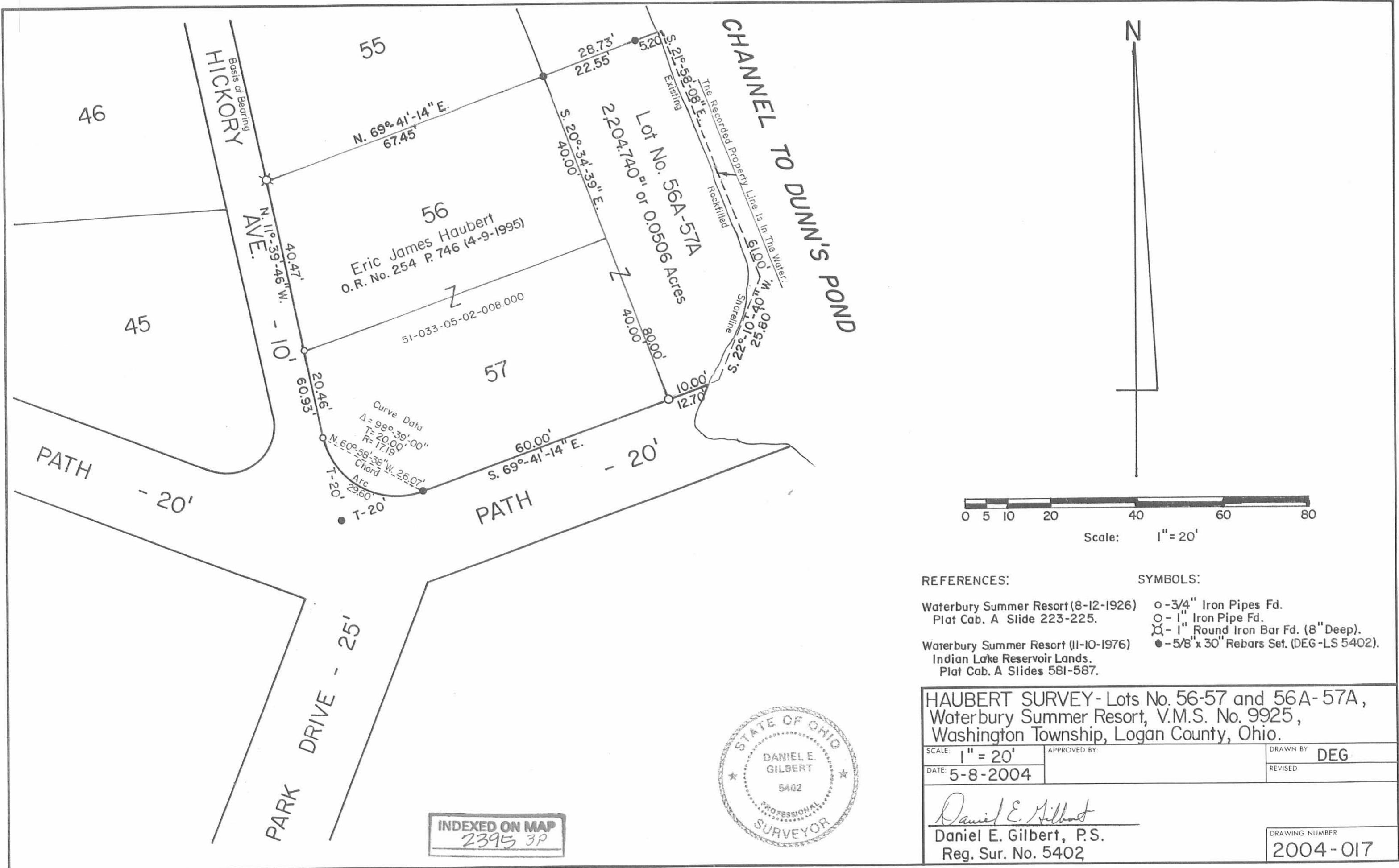
CONCRETE SEAWALL

N 01° 22' 27" W
21.97'

2 WORKING DAYS
BEFORE YOU DIG
CALL TOLL FREE **800-362-2764**
OHIO UTILITIES PROTECTION SERVICE.

INDEXED ON MAP
2395 2P

Recd 5-14-04 SMY OK



REFERENCES:

- Waterbury Summer Resort (8-12-1926) Plat Cab. A Slide 223-225.
- Waterbury Summer Resort (11-10-1976) Indian Lake Reservoir Lands. Plat Cab. A Slides 581-587.

SYMBOLS:

- - 3/4" Iron Pipes Fd.
- - 1" Iron Pipe Fd.
- ⊗ - 1" Round Iron Bar Fd. (8" Deep).
- - 5/8" x 30" Rebars Set. (DEG-LS 5402).

HAUBERT SURVEY - Lots No. 56-57 and 56A-57A, Waterbury Summer Resort, V.M.S. No. 9925, Washington Township, Logan County, Ohio.

SCALE: 1" = 20'	APPROVED BY:	DRAWN BY: DEG
DATE: 5-8-2004		REVISED:

Daniel E. Gilbert
 Daniel E. Gilbert, P.S.
 Reg. Sur. No. 5402

DRAWING NUMBER
 2004-017



INDEXED ON MAP
 2395 3P