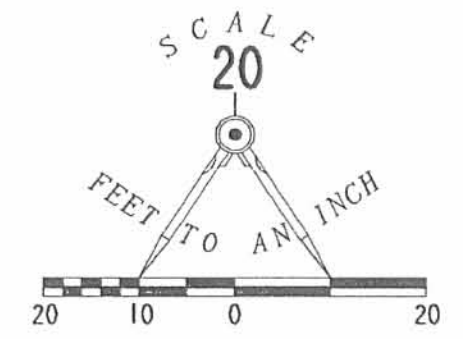
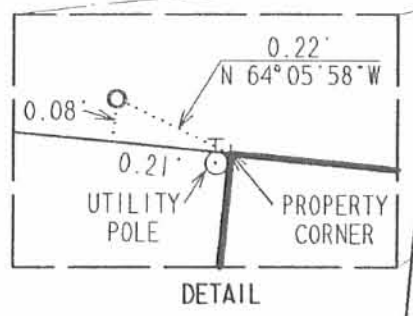


REVD 9-1-00 SULL OK

2 WORKING DAYS
BEFORE YOU DIG
CALL TOLL FREE **800-362-2764**
OHIO UTILITIES PROTECTION SERVICE.

COOPER AVENUE (50')

SEE DETAIL
(BASIS FOR BEARINGS)
S 84°30'40"E
55.00'



- LEGEND
- 5/8 INCH IRON ROD SET
 - 1/2 INCH IRON PIPE FOUND
 - ⊙ 1/2 INCH IRON PIPE SET
 - ⊕ DRILL HOLE SET IN CONCRETE

LOT 20

LOT 21

LOT 22

LOT 23

SET 0.60' NORTH OF THE FACE OF SEAWALL

SET 0.63' NORTH OF THE FACE OF SEAWALL

CHANNEL

LOT 9

LOT 10

LOT 11

RETRACEMENT SURVEY OF LOT 22 OF
OF HOLIDAY SHORES ALLOTMENT NO. 1
PLAT CABINET A. SLIDE 415
SECTION 23. TOWN 6. RANGE 8
STOKES TOWNSHIP
LOGAN COUNTY, OHIO



ORIGINAL STAMP IN GREEN

SURVEYED BY:
William K. Bruce

WILLIAM K. BRUCE
PROFESSIONAL SURVEYOR 7437
AUGUST 21, 2000
REVISED AUGUST 29, 2000

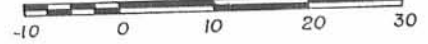
COPYRIGHT 2000 BY:
LEE SURVEYING & MAPPING CO., INC.
117 North Madriver Street
BELLEFONTAINE, OHIO 43311
(937) 593-7335

INDEXED ON MAP
4037

IP

CHANNEL

SCALE 1" = 20'



SEAWALL

SEAWALL

CONC.

CONC.

50.0'

EUGENE NUNAMAHER

1 STY. FR.

ENG. P.

CONC.

CONC.

FR. SHED

FR. GAR.

CONC. DRIVE

ADJOINING CONC. DRIVE

50.37'

GRANDI AVENUE

173.28'

179.37'

3

4

5

0.8' ENCROACHMENT

3'x19' EASEMENT



INDEXED ON MAP
4037

2P

