

6235 IP

INDEXED ON MAP

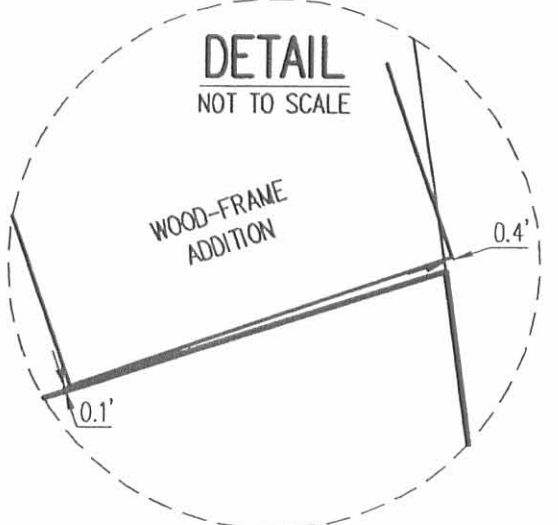
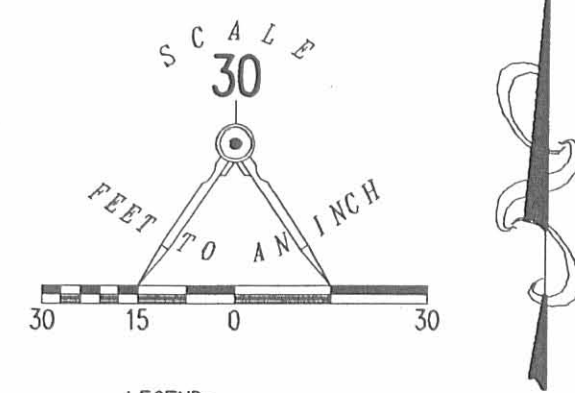
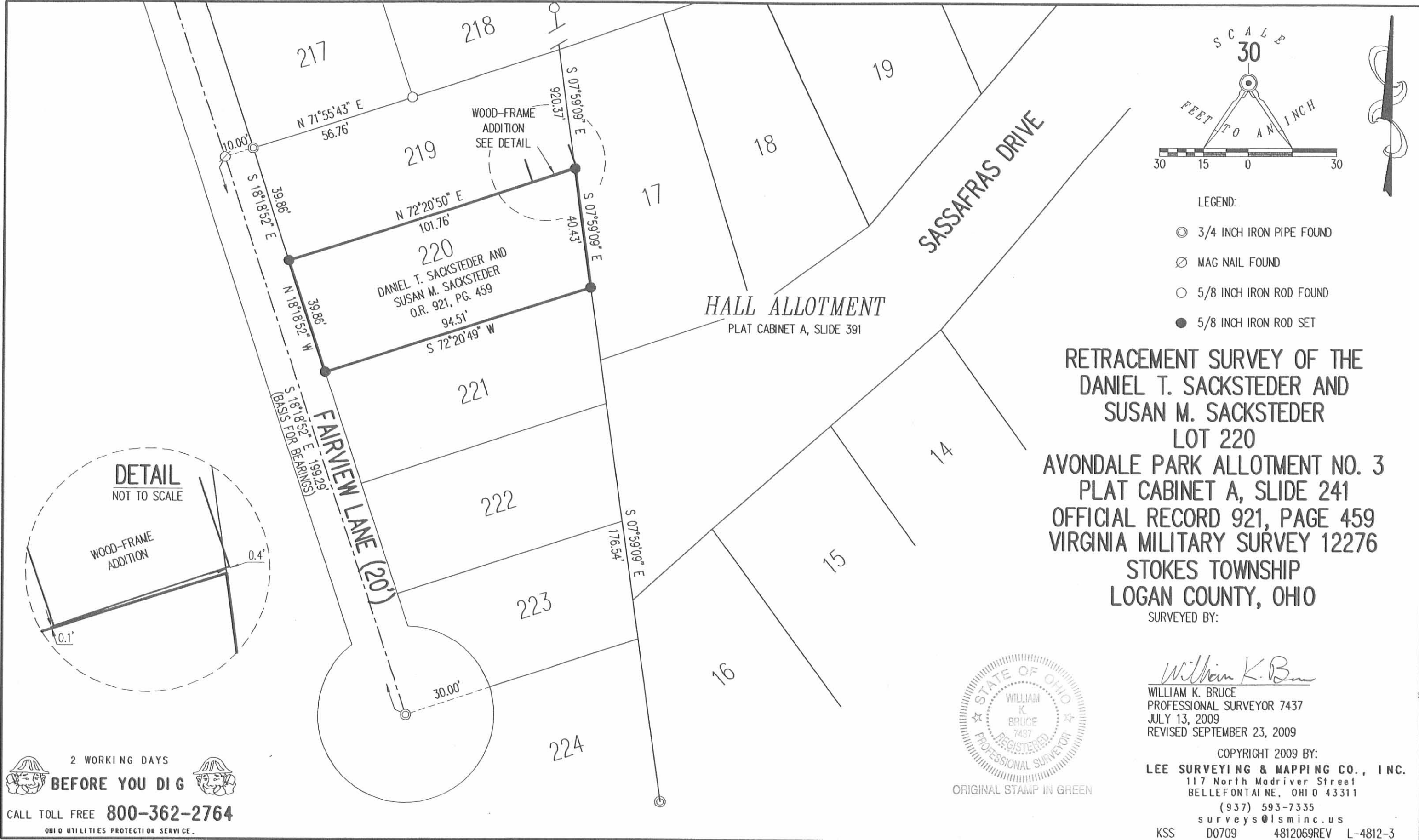
• - 5/8" IRON BARS SET.

SURVEY OF LOTS 217-218
 AVONDALE PARK No. 3
 STOKES TOWNSHIP
 LOGAN COUNTY, OHIO
 MAY 8, 1971

SCALE: 1" = 50'

SURVEYED AND PLATED BY:
 DANIEL E. GILBERT, P.S.
 REG. SUR. NO. 5402
 1041 N. MAIN ST.
 BELLFONTAINE, OHIO 43311

REC'D 9-29-09 smy on



RETRACEMENT SURVEY OF THE DANIEL T. SACKSTEDER AND SUSAN M. SACKSTEDER LOT 220 AVONDALE PARK ALLOTMENT NO. 3 PLAT CABINET A, SLIDE 241 OFFICIAL RECORD 921, PAGE 459 VIRGINIA MILITARY SURVEY 12276 STOKES TOWNSHIP LOGAN COUNTY, OHIO

SURVEYED BY:



William K. Bruce
WILLIAM K. BRUCE
PROFESSIONAL SURVEYOR 7437
JULY 13, 2009
REVISED SEPTEMBER 23, 2009

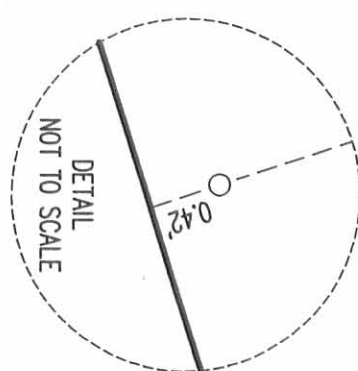
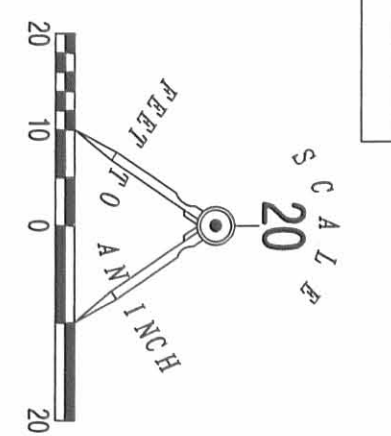
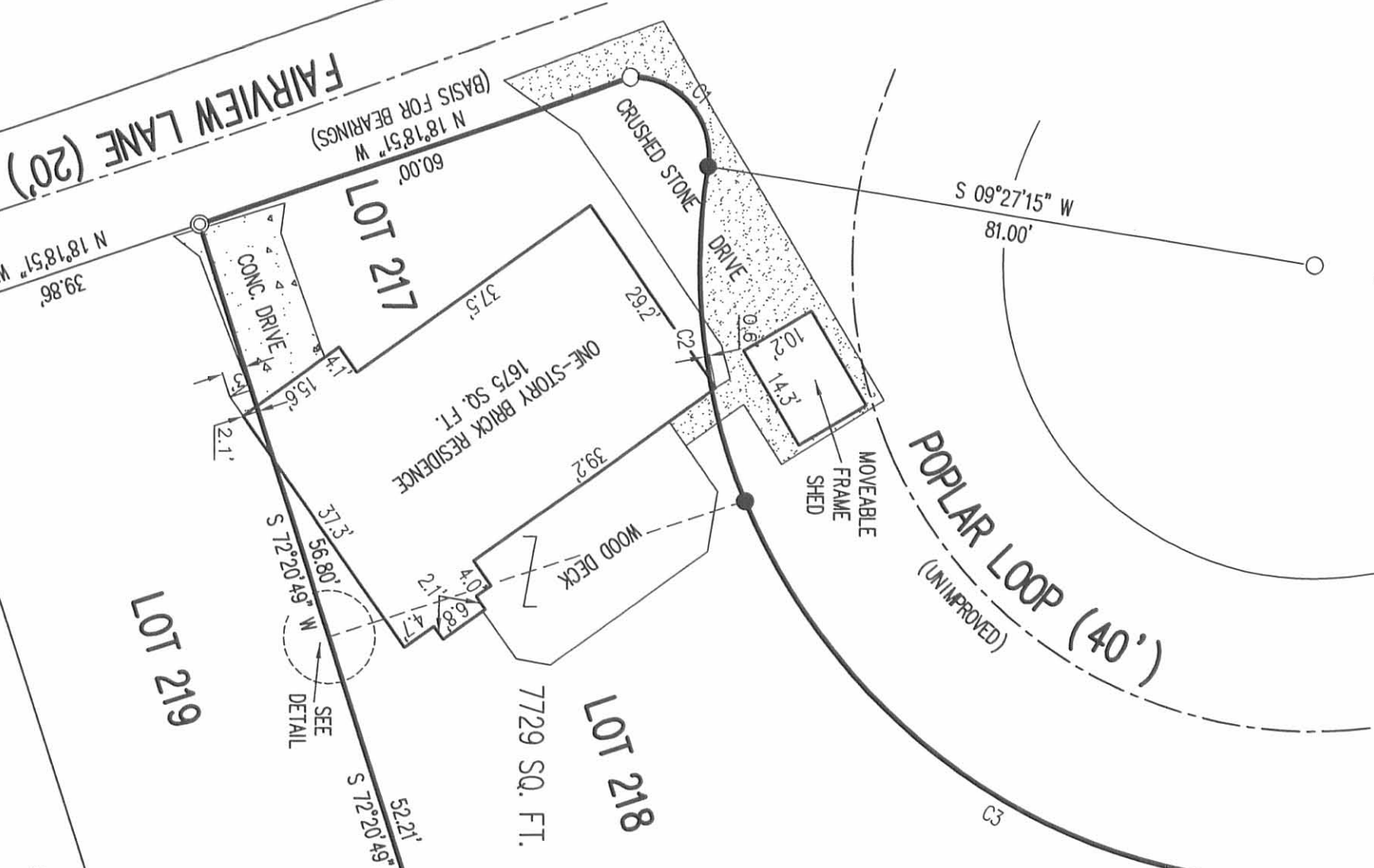
COPYRIGHT 2009 BY:
LEE SURVEYING & MAPPING CO., INC.
117 North Madriver Street
BELLEFONTAINE, OHIO 43311
(937) 593-7335
surveys@lsminc.us
KSS D0709 4812069REV L-4812-3

2 WORKING DAYS
BEFORE YOU DIG
CALL TOLL FREE **800-362-2764**
OHIO UTILITIES PROTECTION SERVICE.

INDEXED ON MAP
6235 2P

CURVE	DELTA ANGLE	RADIUS	ARC LENGTH	CHORD BEARING	CHORD LENGTH
C1	102°20'02"	10.00'	17.86'	N 48°17'14" E	15.58'
C2	31°36'33"	81.00'	44.69'	N 83°38'58" E	44.12'
C3	74°39'50"	81.00'	105.55'	N 30°30'47" E	98.24'

RETRACEMENT SURVEY OF THE
 JEFFREY L. HERRING AND
 LORI K. HERRING
 LOTS 217 AND 218
 AVONDALE PARK ALLOTMENT NO. 3
 PLAT CABINET A, SLIDE 241
 OFFICIAL RECORD 86, PAGE 875
 VIRGINIA MILITARY SURVEY 12276
 STOKES TOWNSHIP
 LOGAN COUNTY, OHIO



RANDALL L. PHILLIPS
 20.363 ACRES
 O.R. 718, PG. 298
 TRACT III

JEFFREY A. ROBNEY
 0.029 ACRE
 O.R. 454, PG. 54

HALL ALLOTMENT
 PLAT CABINET A, SLIDE 391

SURVEYED BY:

William K. Bruce
 WILLIAM K. BRUCE
 PROFESSIONAL SURVEYOR 7437
 SEPTEMBER 6, 2011

COPYRIGHT 2011 BY:
 LEE SURVEYING & MAPPING CO., INC.
 117 North Madison Street
 Bellefontaine, OHIO 43111
 (937) 593-7335
 surveys@lsminc.us



INDEXED ON MAP
 6235 3P

2 WORKING DAYS
BEFORE YOU DIG
 CALL TOLL FREE 800-362-2764
 OHIO UTILITIES PROTECT OUR SERVICE.