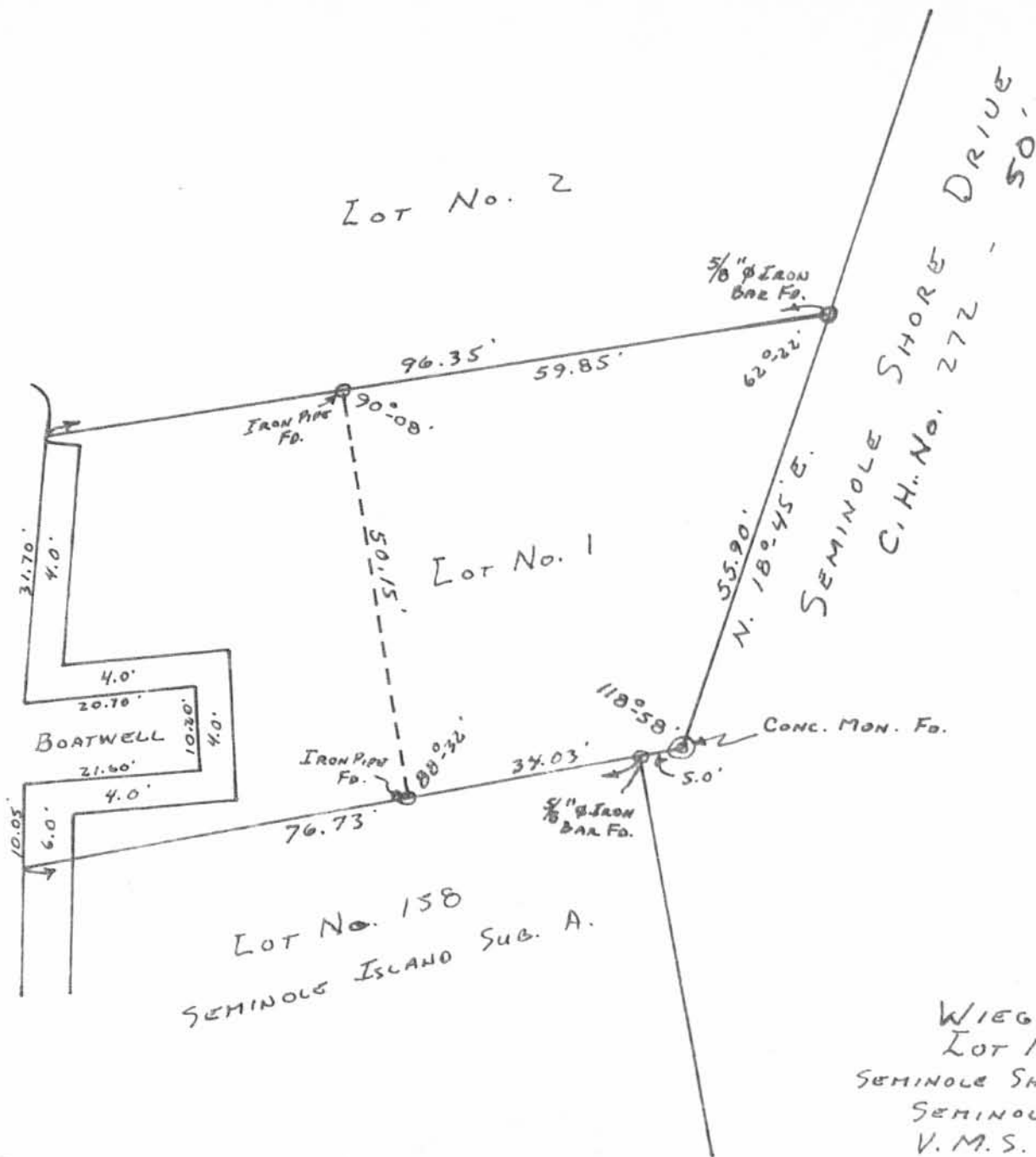


INDIAN LAKE

6378 1P

INDEXED ON MAP

SURVEYED AND PLATTED BY:  
DANIEL E. GILBERT, P.S.  
REG. SUR. NO. 5402  
1041 N. MAIN ST.  
BELLEFONTAINE, OHIO 43311



WIEGEL SURVEY  
LOT NO. 1  
SEMINOLE SHORES SUB. NO. 1  
SEMINOLE ISLAND  
V.M.S. NO. 12276  
STOKES TOWNSHIP  
LOGAN COUNTY, OHIO  
JANUARY 26, 1980

SCALE: 1" = 20'

REV'D 2-18-99 smj

INDIAN LAKE

LOT 3

(104.1 PLAT) N 86°25'10"E  
86.98'

34.1'

LOT 2

1 STORY  
WOOD FRAME  
RESIDENCE

(59.0 PLAT)  
58.88'  
S 18°45'00"W

LOT 1

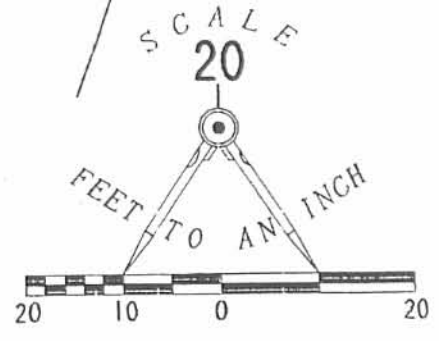
(84.0 PLAT)

(59.8 PLAT)  
59.75'  
S 81°18'44"W

CONCRETE  
DOCK

N 01°47'19"W  
61.97'  
N 08°26'51"W  
60.00'

11.8'  
33.2'  
18.4'  
3.9'  
2.0'  
6.6'  
4.4'  
8.0'  
16.3'  
2.9'  
8.0'  
6.3'



LEGEND

- 5/8" IRON ROD SET
- ⊙ 5/8 IRON BAR FOUND
- ⊗ 1" IRON PIPE FOUND

RETRACEMENT OF LOT 2  
SEMINOLE SHORES SUB. NO. 1  
PLAT CABINET A. SLIDE 251  
VIRGINIA MILITARY SURVEY 12276  
STOKES TOWNSHIP  
LOGAN COUNTY  
OHIO

SEMINOLE SHORE DRIVE (50' WIDE)  
BLACKHAWK DRIVE

SURVEYED BY:

*Jeffrey I. Lee*  
JEFFREY I. LEE  
PROFESSIONAL SURVEYOR 6359  
FEBRUARY 16, 1999

COPYRIGHT 1999 BY:

LEE SURVEYING & MAPPING CO., INC.  
117 North Madriver Street  
BELLEFONTAINE, OHIO 43311  
(937) 593-7335



ORIGINAL STAMP IN GREEN

2 WORKING DAYS  
**BEFORE YOU DIG**  
CALL TOLL FREE **800-362-2764**  
OHIO UTILITIES PROTECTION SERVICE.

INDEXED ON MAP  
6378 2P

D-342

GETTYS

L-2713

Recd 5-11-06

**LESLIE H. GEESLIN**

REGISTERED SURVEYOR 5248

P. O. BOX 274

RUSHSVLVANIA, OHIO 43347

TELEPHONE: (513) 468-7265

**GETTYS SURVEY**

May 9, 2006

The following described real estate situated in the State of Ohio, County of Logan, Township of Stokes, Virginia Military Survey 12276 and more particularly described as follows:

Beginning at a 5/8 inch iron bar found at the northeast corner of Lot 2 of Seminole Shores Subdivision No. 1 ( Plat Cab. A Slide 251 ) and the southeast corner of Lot 3 in the west line of Seminole Shore Drive.

Thence with the line between Lots 2 and 3 S. 86° 25' 10" W. 104.10 feet to a point ( the southwest corner of Lot 3 & the northwest corner of Lot 2 ), passing a 5/8 inch iron bar found at 86.98 feet.

Thence with the west line of Lot 3 N. 9° 13' 20" W. 11.44 feet to a point.

Thence N. 89° 04' 55" E. 42.04 feet to a 5/8 inch iron bar set, passing a 5/8 inch iron bar set at 17.44 feet.

Thence S. 2° 26' 08" E. 4.04 feet to a 5/8 inch iron bar set.

Thence N. 86° 57' 53" E. 65.27 feet to a 5/8 inch iron bar set in the west line of Seminole Shore Drive.

Thence with said Seminole Shore Drive S. 18° 45' 00" W. 5.15 feet to the place of beginning.

Containing 0.017 acre, more or less.

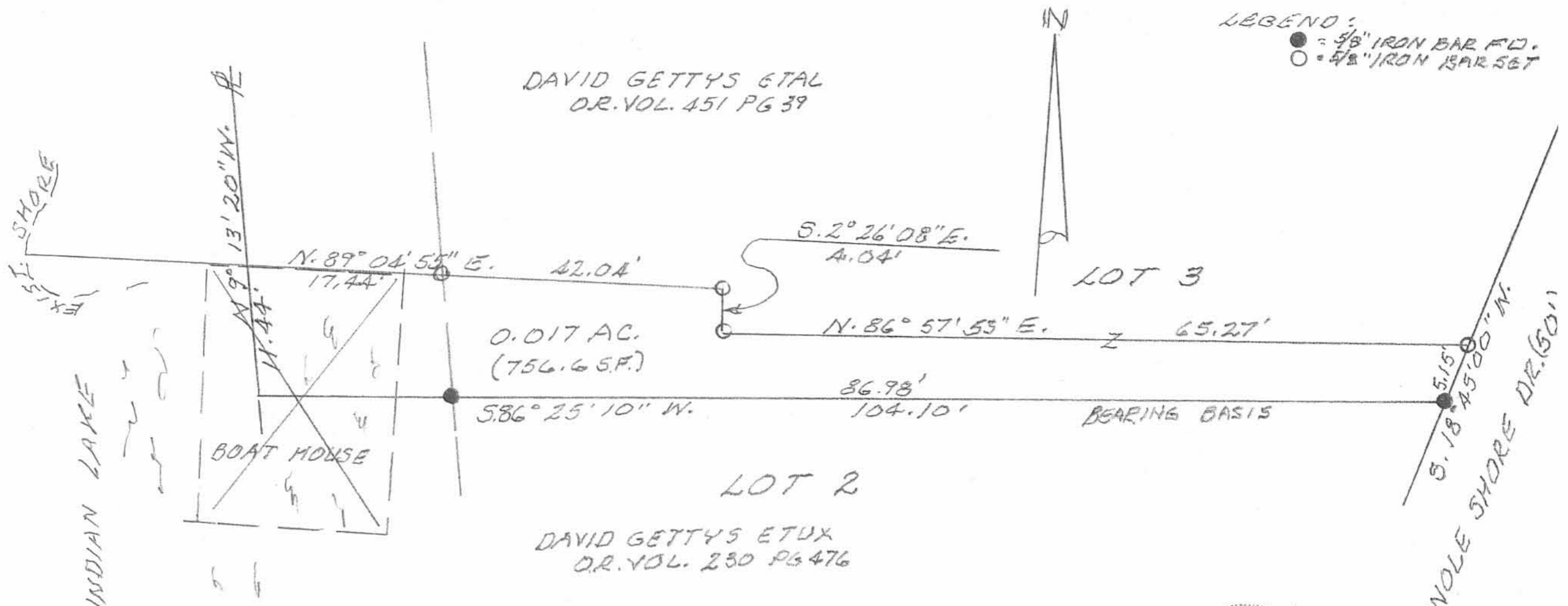
The above described 0.017 acre tract being on the south side of Lot 3 ( David Gettys etal. O. R. Vol. 451 Page 39 ).

Bearings are based on an assumed bearing ( S. 86° 25' 10" W. ) for the line between Lots 2 and 3 in this field survey by Leslie H. Geeslin, Reg. Surveyor No. 5248 on May 9, 2006.

INDEXED ON MAP  
0378 3D



*Leslie H. Geeslin*



SURVEY OF 0.017 AC. TRACT FROM  
LOT 3 OF SEMINOLE SHORES SUB. No 1  
PLAT CABINET A SLIDE 251 V.M. 5.12276  
STOKES TWP., LOGAN CO., OHIO  
FOR DAVID GETTYS  
MAY 9, 2006  
SCALE: 1" = 10'



Leslie H. Geeslin  
LESLIE H. GEESLIN  
RUSHsylvania, OH  
PH 937-468-7265

INDEXED ON MAP  
6370 3P

2-9-2021

**APPROVED**

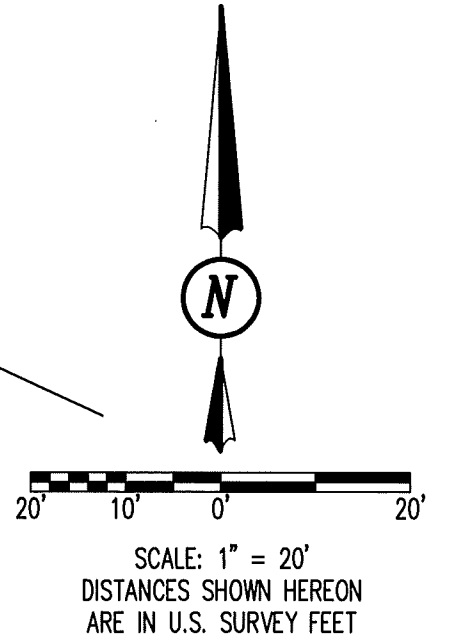
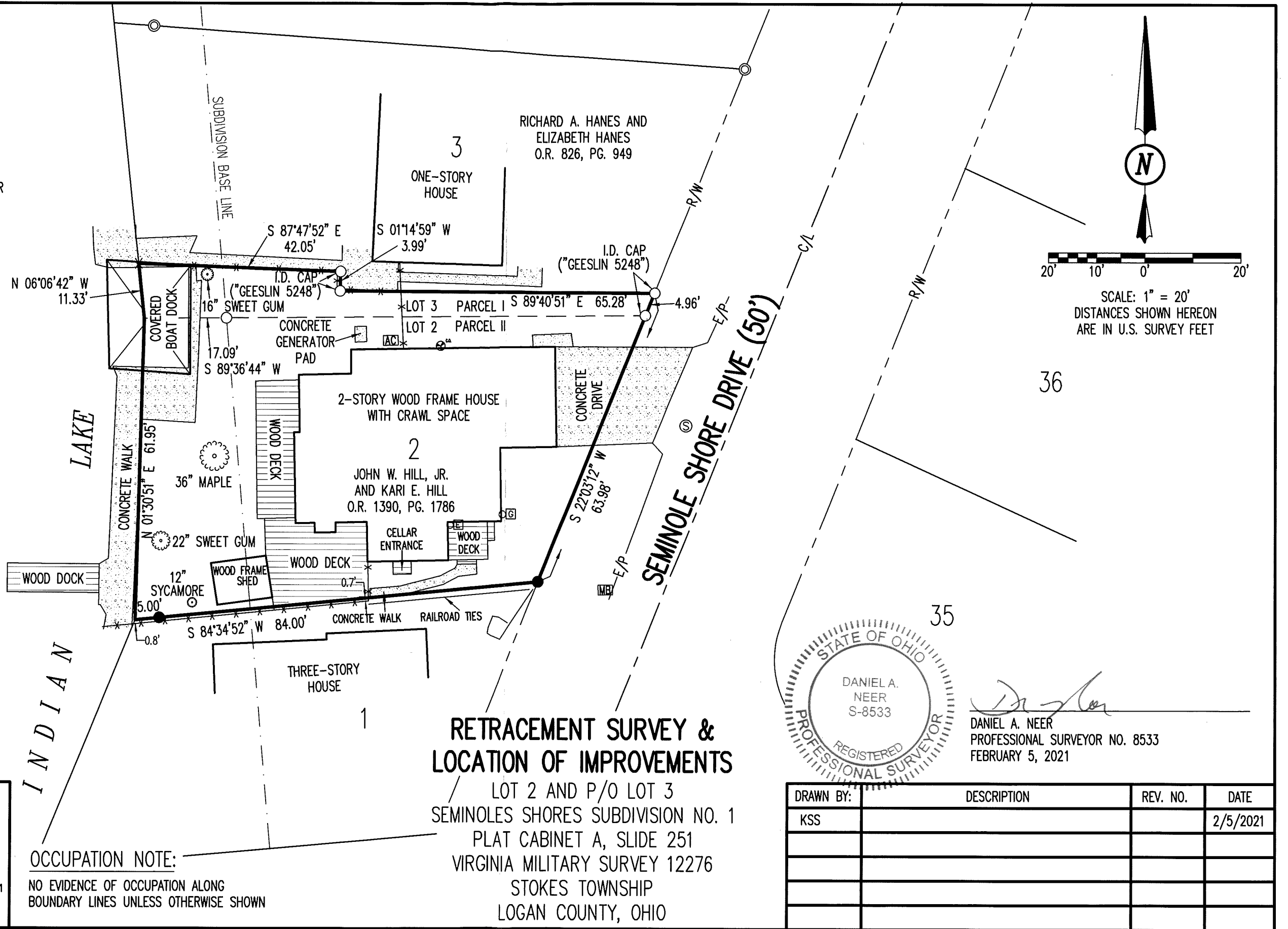
**LEGEND:**

- ⊙ 1/2 INCH IRON PIPE FOUND
- × CHISELED "X" FOUND IN CONCRETE
- 5/8 INCH IRON REBAR FOUND
- 5/8 INCH BY 30 INCH IRON REBAR SET WITH PLASTIC I.D. CAP STAMPED "DLZ OHIO INC."
- ⊕ CLEAN OUT      [AC] AIR CONDITIONER
- ⊙ SANITARY MANHOLE      [MB] MAIL BOX
- ⊙ GAS METER
- ⊙ ELECTRIC METER
- X— DENOTES WOOD FENCE
- R/W = RIGHT-OF-WAY
- C/L = CENTER-LINE
- O.R. = OFFICIAL RECORD
- PG. = PAGE
- E/P = EDGE OF PAVEMENT

**BASIS FOR BEARINGS:**

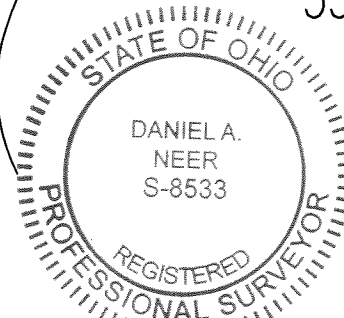
BEARINGS AND DISTANCES, SHOWN HEREON, ARE DERIVED FROM GPS OBSERVATIONS BASED ON GRID NORTH, OHIO STATE PLANE COORDINATE SYSTEM, NORTH ZONE, NAD83 (2011, EPOCH 2010), WITH THE WESTERLY RIGHT-OF-WAY LINE OF SEMINOLE SHORE DRIVE, HAVING A BEARING OF S 22°03'12" W.

THIS SURVEY WAS PREPARED IN THE ABSENCE OF A COMPLETE AND ACCURATE TITLE SEARCH AND DOES NOT GUARANTEE TITLE.



**RETRACEMENT SURVEY & LOCATION OF IMPROVEMENTS**

LOT 2 AND P/O LOT 3  
 SEMINOLES SHORES SUBDIVISION NO. 1  
 PLAT CABINET A, SLIDE 251  
 VIRGINIA MILITARY SURVEY 12276  
 STOKES TOWNSHIP  
 LOGAN COUNTY, OHIO



*Daniel A. Neer*  
 DANIEL A. NEER  
 PROFESSIONAL SURVEYOR NO. 8533  
 FEBRUARY 5, 2021

DRAWN BY:	DESCRIPTION	REV. NO.	DATE
KSS			2/5/2021

**OCCUPATION NOTE:**  
 NO EVIDENCE OF OCCUPATION ALONG BOUNDARY LINES UNLESS OTHERWISE SHOWN

COPYRIGHT 2121 BY:

117 N. Madriver Street • Bellefontaine, OH 43311  
 (937) 593-7335 • www.dlz.com  
 Project #2121-2011.00

INDEXED ON MAP  
 6378