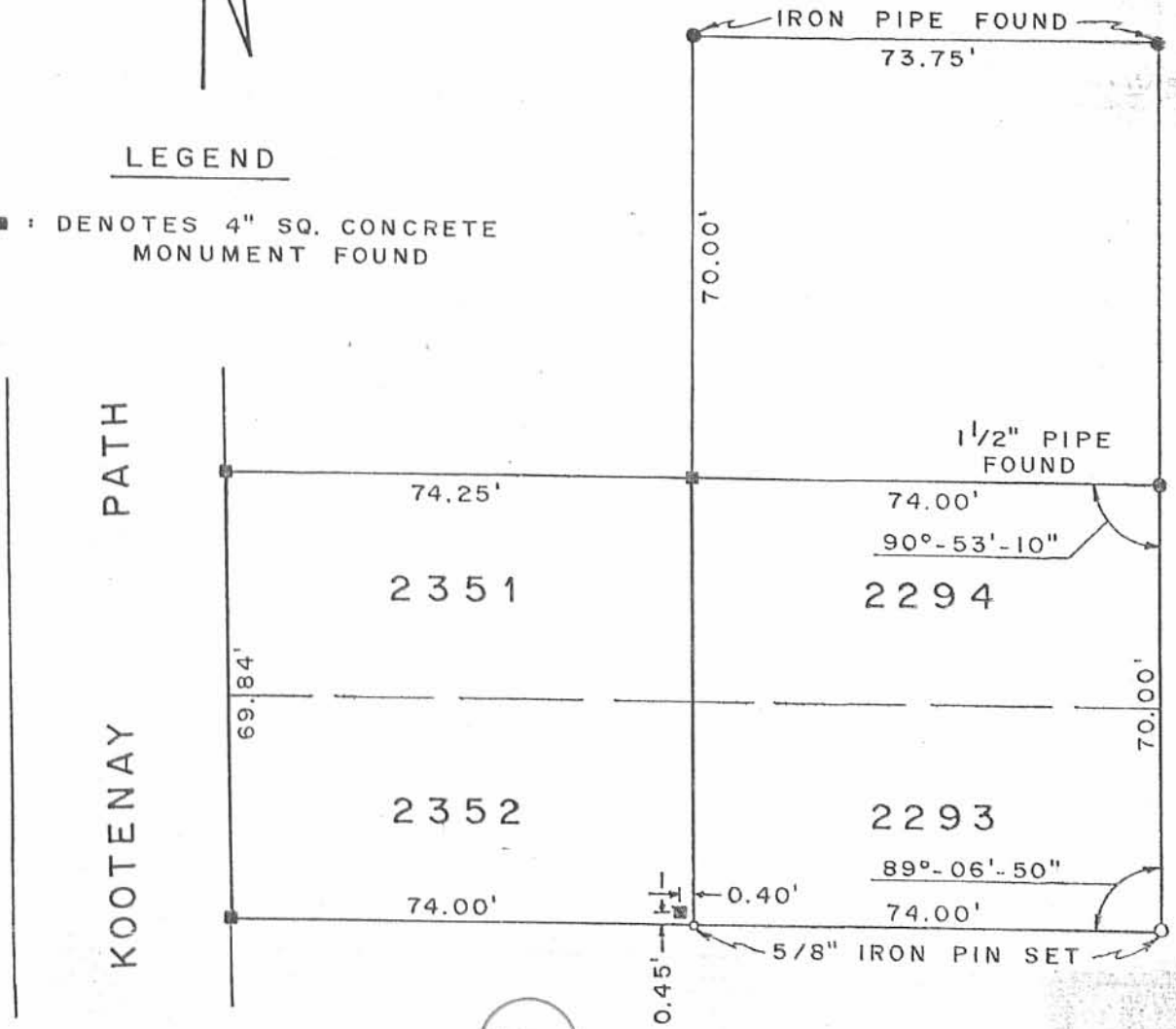


PLAT OF A SURVEY  
 OF LOT 2351, 2352, 2293 & 2294,  
 CHIPPEWA PARK NO. 3,  
 STOKES TOWNSHIP,  
 LOGAN COUNTY, OHIO



LEGEND

■ : DENOTES 4" SQ. CONCRETE  
 MONUMENT FOUND



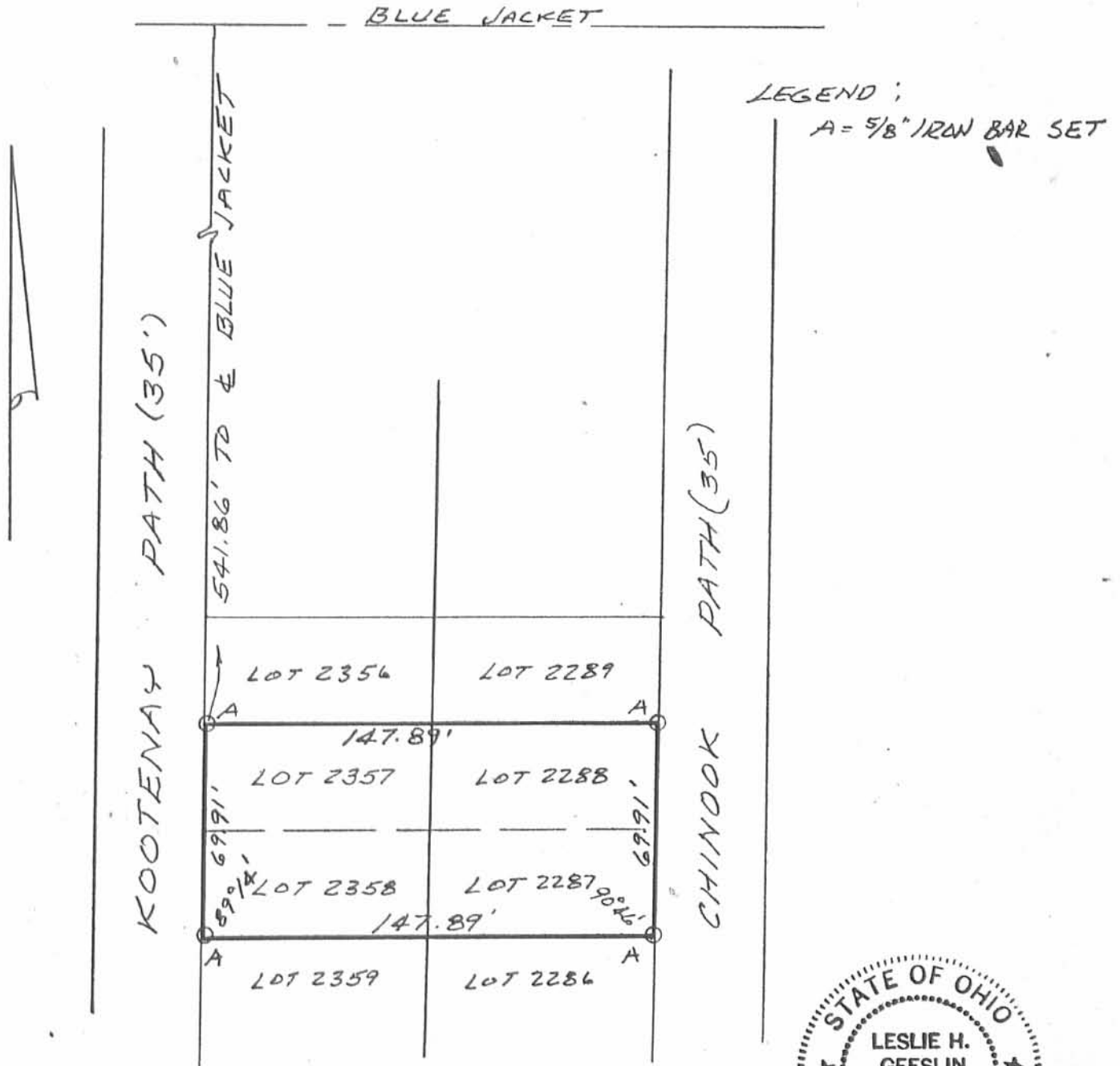
6630 IP

INDEXED ON MAP

Robert E. Chambers  
 Reg. Surveyor #6081

DWH. DRF	JOB NO
CH'D.	9687-A
APP.	
DATE	SCALE
6-9-81	1" = 30'

SURVEY OF LOTS 2357-2358-2287-2288  
 IN CHIPPEWA PARK, STOKES TOWNSHIP,  
 LOGAN COUNTY, OHIO FOR GENE STEVENS.  
 OCTOBER, 1989  
 SCALE: 1" = 50'



LEGEND ;  
 A = 5/8" IRON BAR SET

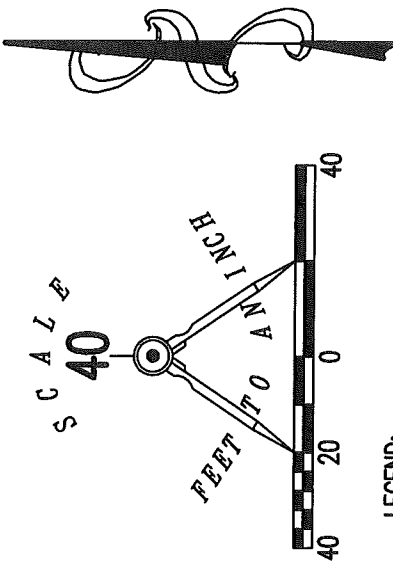


INDEXED ON MAP  
 6630 3P

*Leslie H. Geeslin*  
 LESLIE H. GEESLIN  
 RUSHSVLVANIA, OHIO

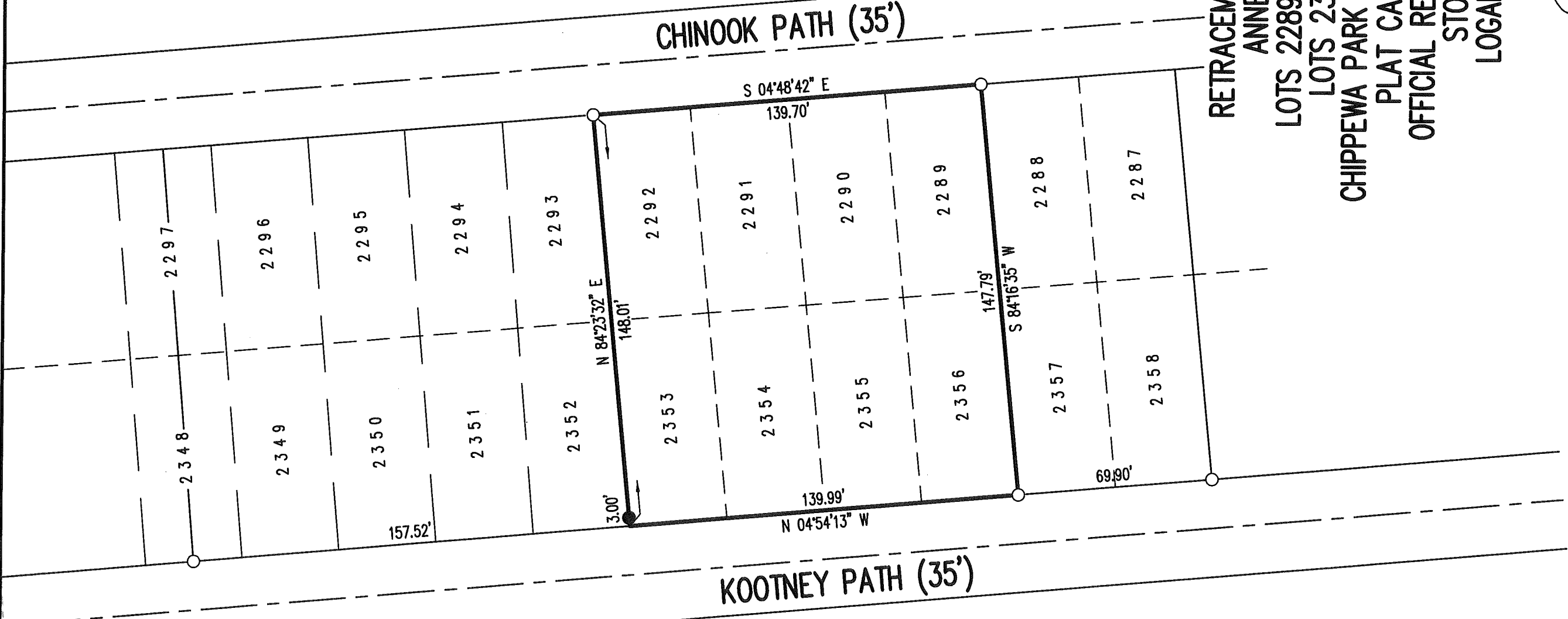
1-3-17

APPROVED



LEGEND:

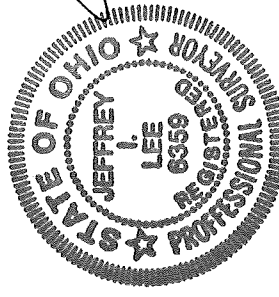
- 5/8 INCH IRON ROD FOUND
- 5/8 INCH IRON ROD SET WITH PLASTIC I.D. CAP STAMPED "LEE SURVEYING INC"



RETRACEMENT SURVEY OF THE  
 ANNETTE M. STEDRY  
 LOTS 2289 THROUGH 2292 AND  
 LOTS 2353 THROUGH 2356  
 CHIPPEWA PARK ALLOTMENT NUMBER THREE  
 PLAT CABINET A, SLIDE 235  
 OFFICIAL RECORD 1170, PAGE 665  
 STOKES TOWNSHIP  
 LOGAN COUNTY, OHIO

SURVEYED BY:

*Jeffrey I. Lee*  
 JEFFREY I. LEE  
 PROFESSIONAL SURVEYOR 6359  
 OCTOBER 25, 2017



THIS SURVEY WAS PREPARED IN THE ABSENCE OF  
 A COMPLETE AND ACCURATE TITLE SEARCH AND  
 DOES NOT GUARANTEE TITLE.

2 WORKING DAYS  
**BEFORE YOU DIG**

CALL TOLL FREE **800-362-2764**  
 OHIO UTILITIES PROTECTION SERVICE

COPYRIGHT 2017 BY:  
**LEE SURVEYING & MAPPING CO., INC.**  
 117 North Madriver Street  
 BELLEFONTAINE, OHIO 43311  
 (937) 593-7335  
 WWW.LEESURVING.COM  
 surveys@leesurvc.com

ORIGINAL STAMP IN GREEN

KSS D1017 63061017 L-6306-3

INDEXED ON MAP 6630 4