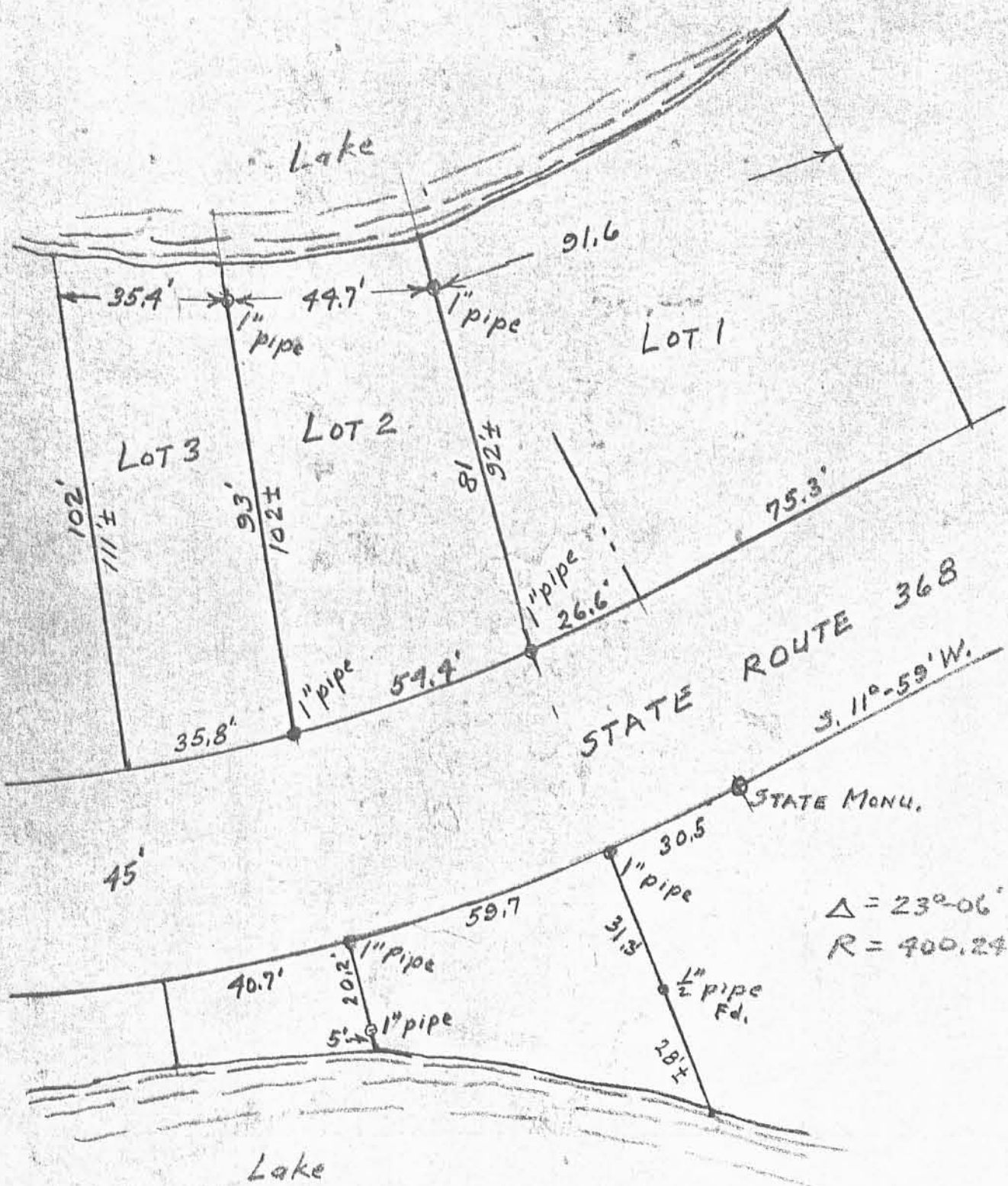


PROPERTY SURVEY  
 8816 State Route 368  
 M. D. CRISTOPHER

Being Lot Number 2 of Lakeridge Subdivision and Lot  
 Number 40 of Lakeridge Subdivision No. 2 in Stokes Township.  
 Part of V.M.S. 9968 Logan County, Ohio



$\Delta = 23^{\circ}06'$   
 $R = 400.24'$

7131 1P

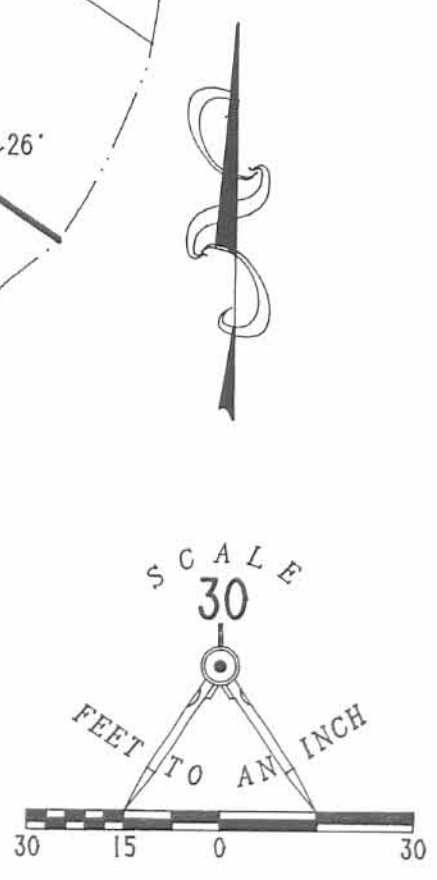
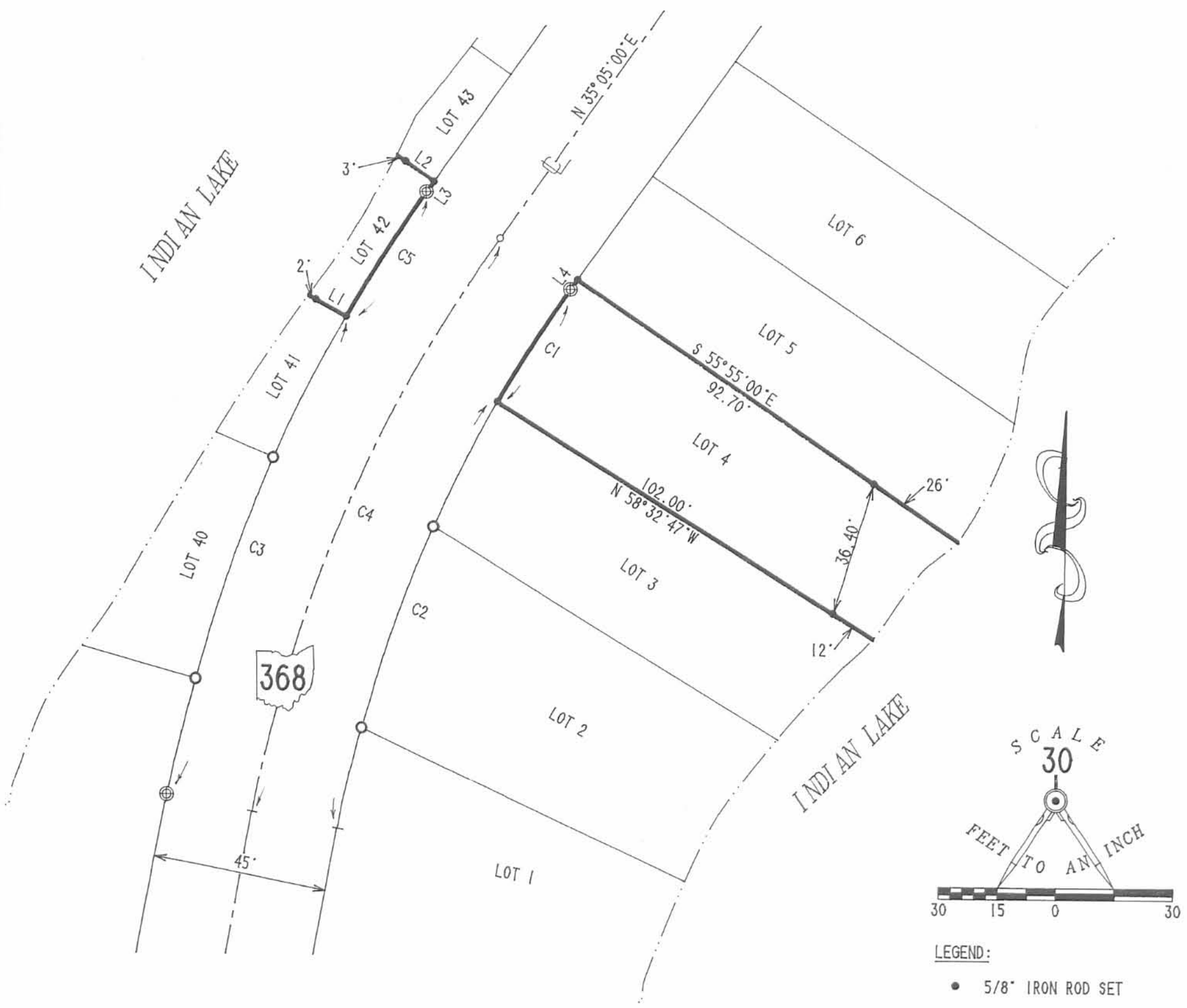
Scale: 1" = 30'

INDEXED ON MAP

July 30, 1984

Harold E. Lorton  
 9015 State Route 368  
 Huntsville, O. 43324  
 Registered Surveyor #2913

CURVE	DELTA ANGLE	RADIUS	ARC	TANGENT	CHORD	CHORD BEARING	LINE	BEARING	DISTANCE
C 1	05° 36' 25"	355.24'	34.76'	17.40'	34.75'	N 32° 16' 57" E	L 1	N 61° 07' 59" W	9.00'
C 2	18° 52' 48"	355.24'	117.06'	59.06'	116.53'	N 20° 02' 18" E	L 2	S 54° 55' 00" E	9.00'
C 3	18° 48' 41"	400.24'	131.41'	66.30'	130.82'	N 20° 00' 14" E	L 3	S 35° 05' 00" W	1.98'
C 4	24° 29' 13"	377.74'	161.44'	81.97'	160.21'	N 22° 50' 31" E	L 4	N 35° 05' 00" E	3.00'
C 5	05° 40' 32"	400.24'	39.65'	19.84'	39.63'	S 32° 15' 03" W			



- LEGEND:**
- 5/8" IRON ROD SET
  - 5/8" IRON ROD FOUND
  - ⊙ 1" IRON PIPE FOUND
  - ⊕ CONCRETE R/W MONUMENT FOUND

- REFERENCES:**
1. PLAT OF LAKE RIDGE SUBDIVISION, LOGAN COUNTY RECORDER'S PLAT CABINET "A", SLIDE 354.
  2. PLAT OF LAKE RIDGE SUBDIVISION NUMBER 2, LOGAN COUNTY RECORDER'S PLAT CABINET "A", SLIDE 360.
  3. LOGAN COUNTY ENGINEER'S SURVEY RECORDS, DRAWER "R", FILE NO. 7131.
  4. WILLIAM H. LEWIS F.B. 3, PG. 58.
  5. S.H. 622, SEC.-B, R/W PLANS, SHEET 2 OF 5.

RETRACEMENT SURVEY OF LOT 4 IN  
 LAKE RIDGE SUBDIVISION AND  
 LOT 42 IN LAKE RIDGE SUDIVISION NO. 2  
 GERALD E. BRIGGS  
 OFFICIAL RECORD 50, PAGE 904  
 VIRGINIA MILITARY SURVEY 9968  
 STOKES TOWNSHIP  
 LOGAN COUNTY, OHIO



SURVEYED BY:  
  
 JEFFREY I. LEE  
 PROFESSIONAL SURVEYOR 6359  
 MAY 19, 1993

**LEE SURVEYING & MAPPING CO.**  
 143 East Columbus Avenue  
 BELLEFONTAINE, OHIO 43311  
 (513) 593-7335

INDEXED ON MAP  
 7131 2P

ORIGINAL STAMP IN GREEN

**LEE SURVEYING & MAPPING CO.**  
 143 East Columbus Avenue  
 BELLEFONTAINE, OHIO 43311  
 (513) 593-7335

REC'D 10-25-95 SMY OK ✓

PHONE 842-2041

HAROLD E. LORTON  
CIVIL ENGINEER AND SURVEYOR  
9015 LAKERIDGE ROAD  
P. O. BOX 194, HUNTSVILLE, OHIO 43324



October 17, 1995

Situated in the State of Ohio, County of Logan and in the Township of Stokes, in V.M.S. 9968 and described as follows;

Being part of Lot Number 1 as said lot is numbered on the Plat of Lakeridge Subdivision said Plat recorded in Plat Book 4D, page 43,44,45 and 49 of the Plat Records of Logan County, Ohio.

Beginning at a 1 inch iron pipe found on the easterly right-of-way line of State Route 368, said iron pipe being at the corner between lots 1 and 2 of said Subdivision;

Thence with the line between said lots 1 and 2 S. 65°28'00"E. 60.00 feet to a 3/4 inch pipe set;

Thence S. 89°09'41"W. 61.03 feet to a 1/2 inch iron pipe found at the P.C. of a curve on the Easterly right-of-way line of State Route 368 at Station 88+82.74;

Thence with said right-of-way line on a curve to the right, the radius of said curve is 377.74 feet, the chord bears N. 14°01'00"E. 26.60 feet to the place of beginning.

Containing 790 square feet or 0.018 of an acre.

Being part of the premises now in the name of the Third National Bank and Trust Company of Dayton, Ohio.

This description was prepared from an actual survey of the premises. The basis of bearing of S. 65°28'00"E. on the property line between lots 1 and 2 was used on this survey.

*Harold E. Lorton*

Harold E. Lorton  
P.O.Box 194  
Huntsville, O. 43324

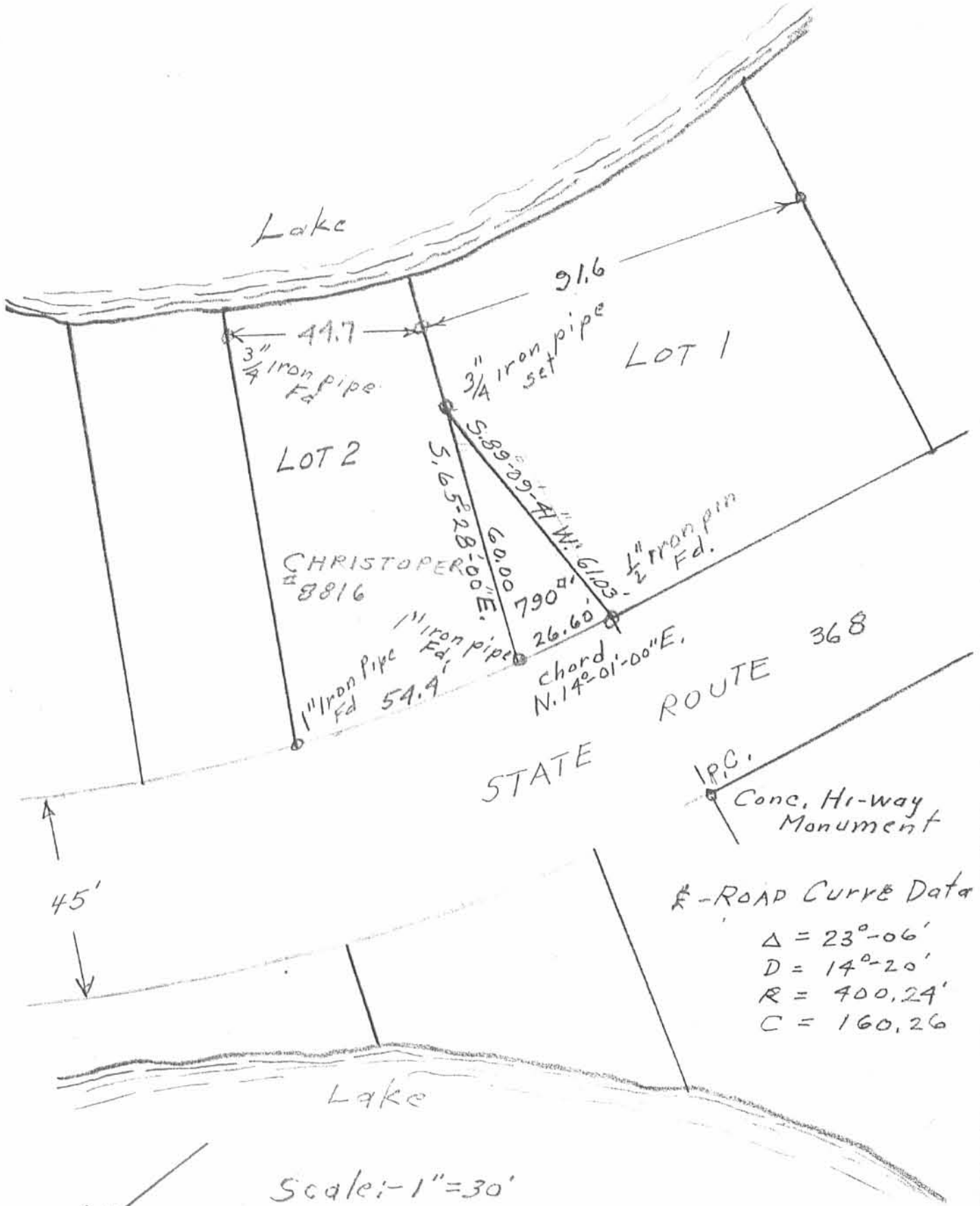
Registered Surveyor 2913



INDEXED ON MAP  
7131 3D

PROPERTY SURVEY  
STATE ROUTE 368 - LAKERIDGE SUBDIVISION

Being a triangular piece of land off of Lot Number 1 as said lot is numbered and designated on the Plat of Lakeridge Subdivision in Stokes Township, Logan County, Ohio, and being part of V.M.S. 9968 .



Δ - ROAD CURVE DATA  
 $\Delta = 23^{\circ}-06'$   
 $D = 14^{\circ}-20'$   
 $R = 400.24'$   
 $C = 160.26'$

Scale: 1" = 30'

The basis of bearing for this survey is the bearing S. 65°28'00"E. on the property line between lots 1 and 2 in said Subdivision.

7131 3P

August 2, 1994  
October 17, 1995



Harold E. Lorton  
 Harold E. Lorton  
 P.O. Box 194  
 Huntsville, O. 43324  
 Registered Surveyor #2913

1675 A



7-27-99 OKgch

MAP ROOM

Survey of Lot No. 2 part  
Lakeridge Subdivision  
No. 1

The following described real estate situated in the Township of Stokes, County of Logan, State of Ohio and being a part of Lot No. 2 of Lakeridge Subdivision No. 1 as recorded in Plat Cabinet A Slide 354 (7-1-1957) and being more particularly described as follows:

Beginning at a One Inch Iron Pipe found at the northwest corner to Lot No. 2 and the southwest corner to Lot No. 3 and in the east line of S. R. No. 368 (45 feet wide);

Thence with the line between Lot No. 2 and Lot No. 3, S. 59°33'03" E. 31.44 feet to a Chisel Point set in Concrete, (Note: The line between Lot No. 2 and Lot No. 3 is the Basis of Bearing for this survey - S. 59°33'03" E.);

Thence S. 30°26'57" W. 1.00 foot to a 5/8" x 30" Rebar set;

Thence N. 68°43'11" W. 31.03 feet to a 5/8" x 30" Rebar set in the west line of Lot No. 2 and the east line of S. R. No. 368;

Thence with the west line of Lot No. 2 and the east line of S. R. No. 368 with a curve to the right having the following properties, Central Angle - 0°58'04", Radius - 355.24 feet, Tangent - 3.00 feet, an Arc Distance of 6.00 feet, with a Chord Bearing and Distance of N. 22°46'32" E. 6.00 feet to the place of beginning, containing 108.710 square feet or 0.0025 Acres, more or less.

I hereby certify that this description is the result of a field survey made by me on June 29, 1999.



*Daniel E. Gilbert*  
DANIEL E. GILBERT, P.S.  
REG. SUR. NO. 5402  
400 N. PARK ST.  
BELLEFONTAINE, OHIO 43311  
TELEPHONE: 1 (614) 593-1428  
937

INDEXED ON MAP  
7/31/99

S. R. No. 368

Plan L-28 Sheet 2

-45'

Curve Data  
 $A = 0^\circ 58' 04''$  Rt.  
 $R = 355.24'$   
 $T = 3.00'$   
 Chord Bearing and Distance  
 $N. 22^\circ 46' 32'' E. \quad 6.00'$

Chord - 48.20'

N. 68° 43' 11" W. 31.03'

Arc - 36.32'  
 $N. 26^\circ 11' 17'' E.$

Curve Data  
 $A = 5^\circ 51' 26''$  Rt.  
 $R = 355.24'$   
 $T = 18.16'$

S. 59° 33' 03" E. 36.30'

N. 32° 16' 57" E. 34.75'

Arc - 34.76'

N. 35° 05' 00" E. 22.50'

3.00' PT.

S. 56° 54' 47" E. 102.17'

114.17'

Line

Line

12.00'

35.25'

Boatwell

18.80'

8.30'

Shore

120.52'

S. 40° 09' 57" W. 51.00'

18.80'

Traverse

93.47'

S. 30° 26' 57" W. 62.03'

Basis of Bearing

108.710' or 0.0025 Acres

Chisel Point in Concrete Set.

N. 26° 11' 17" E. 31.44'

S. 59° 33' 03" E. 31.03'

2

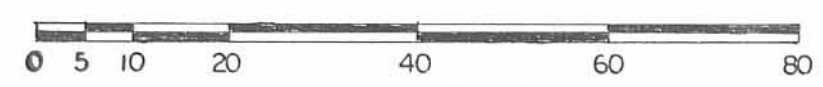
3

4

5

Lake

Indian



Scale: 1" = 20'

SYMBOLS:



- o - 5/8" Rebars Fd.
- o - 5/8" x 30" Rebars Set.
- o - 1" Iron Pipes Fd.
- o - 1 1/2" Iron Pipe Fd.

Reference:  
 Lakeridge Subdivision No. 1 (7-1-1957).  
 Plat Cabinet A Slide 354.

Survey of Lot No. 2 Part, Lot No. 3-Lakeridge Subdivision No. 1,  
 V.M.S. No. 12276, Lakeridge Island,  
 Stokes Township, Logan County, Ohio.

SCALE: 1" = 20'	APPROVED BY:	DRAWN BY: DEG
DATE: 6-29-1999		REVISED:

*Daniel E. Gilbert*  
 Daniel E. Gilbert, P.S.  
 Reg. Sur. No. 5402

DRAWING NUMBER  
 099-027

INDEXED ON MAP  
 7131 4P

INDIAN LAKE

LAKERIDGE SUBDIVISION NO. 2

PLAT CABINET A, SLIDE 359

LOT 40

LAKERIDGE SUBDIVISION

PLAT CABINET A, SLIDE 354

LOT 2

RETRACEMENT SURVEY OF A PORTION OF THE NORTHERLY BOUNDARY LINE OF THE LAKERIDGE PROPERTIES, LTD. ORIGINAL 25.193 ACRE TRACT OFFICIAL RECORD 600, PAGE 902 AND THE NORTH LINE OF THE REMAINDER OF THE LAKERIDGE PROPERTIES, LTD.

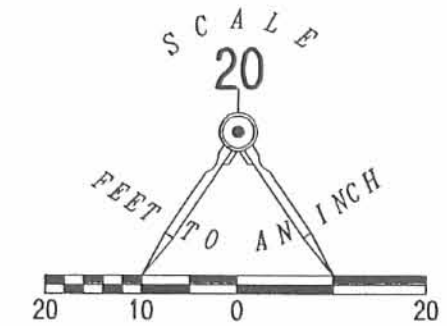
LOT NO. 1  
LAKERIDGE SUBDIVISION  
PLAT CABINET A, SLIDE 354  
OFFICIAL RECORD 615, PAGE 548  
VIRGINIA MILITARY SURVEY 9968  
STOKES TOWNSHIP  
LOGAN COUNTY, OHIO

SURVEYED BY:

JEFFREY I. LEE  
PROFESSIONAL SURVEYOR 6359  
OCTOBER 16, 2006

COPYRIGHT 2006 BY:  
LEE SURVEYING & MAPPING CO., INC.  
117 North Madriver Street  
BELLEFONTAINE, OHIO 43311  
(937) 593-7335

KSR D1006 4321106 L-4321-3



LAKERIDGE PROPERTIES, LTD.  
ORIGINAL 25.193 ACRES  
O.R. 600, PG. 902

LEGEND:

- ⊙ 3/4 INCH IRON PIPE FOUND
- ⊕ 1-1/4 INCH IRON PIPE FOUND
- ⊙ 1 INCH IRON PIPE FOUND
- 5/8 INCH IRON ROD SET
- 1/2 INCH IRON PIPE FOUND
- ⊠ 1-1/2 INCH X 3/8 INCH WOOD LATH SET

2 WORKING DAYS

BEFORE YOU DIG

CALL TOLL FREE 800-362-2764

OHIO UTILITIES PROTECTION SERVICE

368  
(45')

MARVIN D. CHRISTOPHER  
0.018 ACRE  
O.R. 615, PG. 549

APPROXIMATE LOCATION  
OF LANDSCAPE STONES  
UNABLE TO SET  
REFERENCE ON LINE

S 88°27'21" E  
61.03'

S 63°06'04" E  
41.21'

LOT 1

LAKERIDGE PROPERTIES, LTD.  
O.R. 615, PG. 548

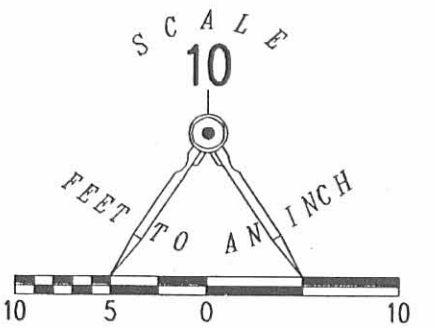
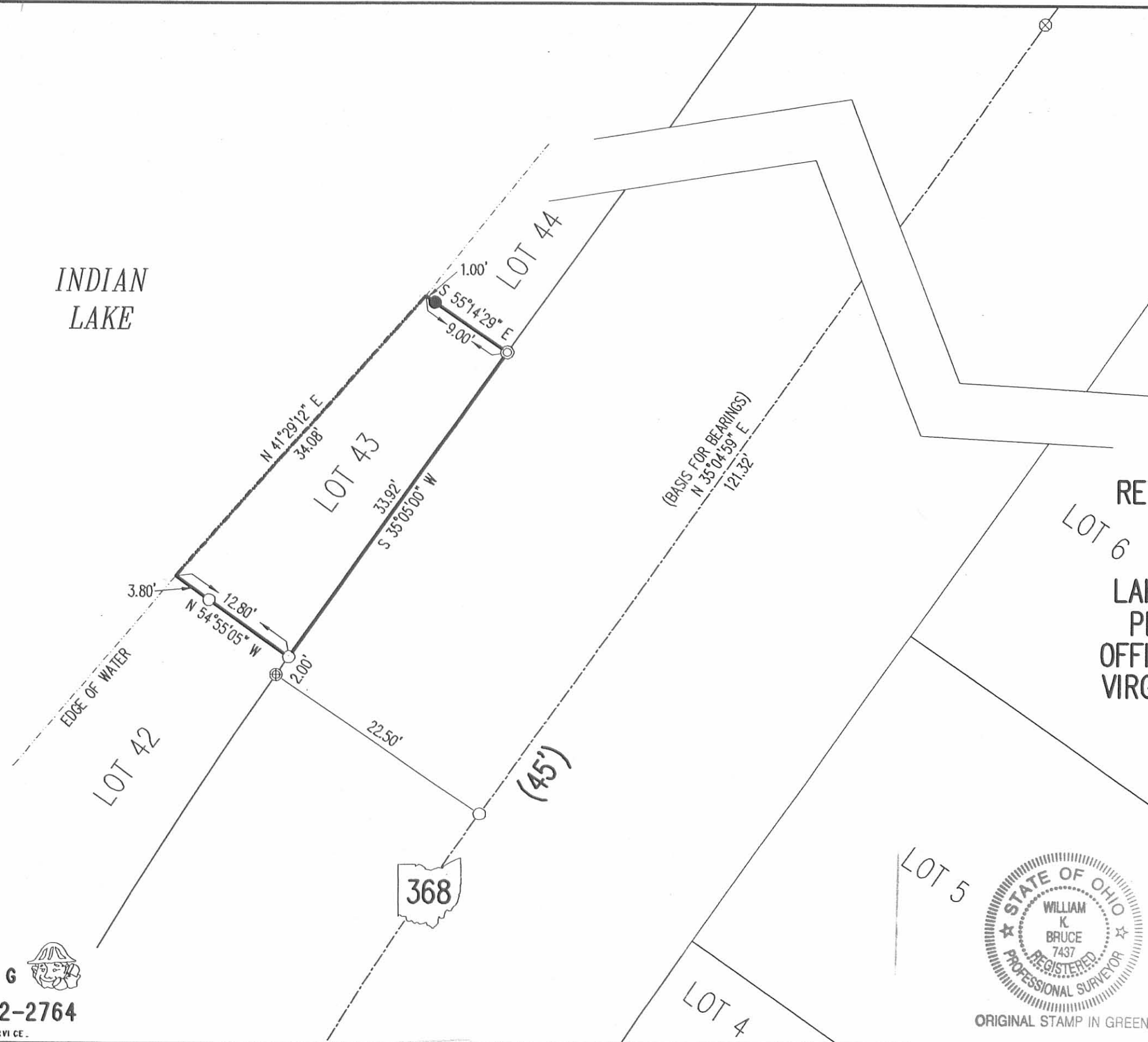


ORIGINAL STAMP IN GREEN

INDEXED ON MAP  
7131 SP

REV'D 8-29-07 Smj OK

INDIAN LAKE



- LEGEND:
- ⊗ RAILROAD SPIKE FOUND
  - 5/8 INCH IRON ROD FOUND
  - 5/8 INCH IRON ROD SET
  - ⊙ 1/2 INCH IRON PIPE FOUND
  - ⊕ CONCRETE ROIGHT-OF-WAY MONUMENT FOUND

RETRACEMENT SURVEY OF THE  
 MICHAEL D. MILLER  
 LOT 43  
 LAKE RIDGE SUBDIVISION NO. 2  
 PLAT CABINET A, SLIDE 359  
 OFFICIAL RECORD 881, PAGE 578  
 VIRGINIA MILITARY SURVEY 9968  
 STOKES TOWNSHIP  
 LOGAN COUNTY, OHIO

SURVEYED BY:

WILLIAM K. BRUCE  
 PROFESSIONAL SURVEYOR 7437  
 AUGUST 24, 2007



ORIGINAL STAMP IN GREEN

COPYRIGHT 2007 BY:  
 LEE SURVEYING & MAPPING CO., INC.  
 117 North Madriver Street  
 BELLEFONTAINE, OHIO 43311  
 (937) 593-7335  
 surveys@lsmcinc.us  
 KSS 00807 4504087 L-4504-3

2 WORKING DAYS  
**BEFORE YOU DIG**  
 CALL TOLL FREE **800-362-2764**  
 OHIO UTILITIES PROTECTION SERVICE

INDEXED ON MAP  
 7/31/07 GP



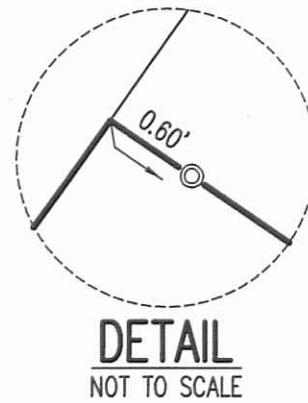
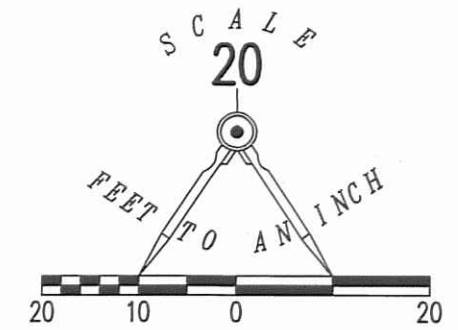
5-29-13

**APPROVED**

LINE	BEARING	DISTANCE
L1	S 67°55'56" E	2.38'
L2	S 58°45'39" E	7.86'
L3	N 33°57'01" E	17.14'
L4	N 32°02'44" E	15.02'

LEGEND:

- ⊗ RAILROAD SPIKE FOUND
- ⊙ 1/2 IRON PIPE FOUND
- 5/8 INCH IRON ROD FOUND
- 5/8 INCH IRON ROD SET WITH PLASTIC I.D. CAP STAMPED "L-7437"



RETRACEMENT SURVEY OF THE  
 MICHAEL T. GALLIMORE  
 LOT 5  
 LAKERIDGE SUBDIVISION  
 PLAT CABINET A, SLIDE 354  
 OFFICIAL RECORD 1103, PAGE 819  
 VIRGINIA MILITARY SURVEY 9968  
 STOKES TOWNSHIP  
 LOGAN COUNTY, OHIO

SURVEYED BY:

*William K. Bruce*

WILLIAM K. BRUCE  
 PROFESSIONAL SURVEYOR 7437  
 MAY 15, 2013



ORIGINAL STAMP IN GREEN

COPYRIGHT 2013 BY:  
**LEE SURVEYING & MAPPING CO., INC.**  
 117 North Madriver Street  
 BELLEFONTAINE, OHIO 43311  
 (937) 593-7335  
 WWW.LSMINC.US  
 surveys@lsminc.us

KSS D0413 55330413 L-5533-3

2 WORKING DAYS  
**BEFORE YOU DIG**  
 CALL TOLL FREE **800-362-2764**  
 OHIO UTILITIES PROTECTION SERVICE

INDEXED ON MAP  
 7131 7P

