



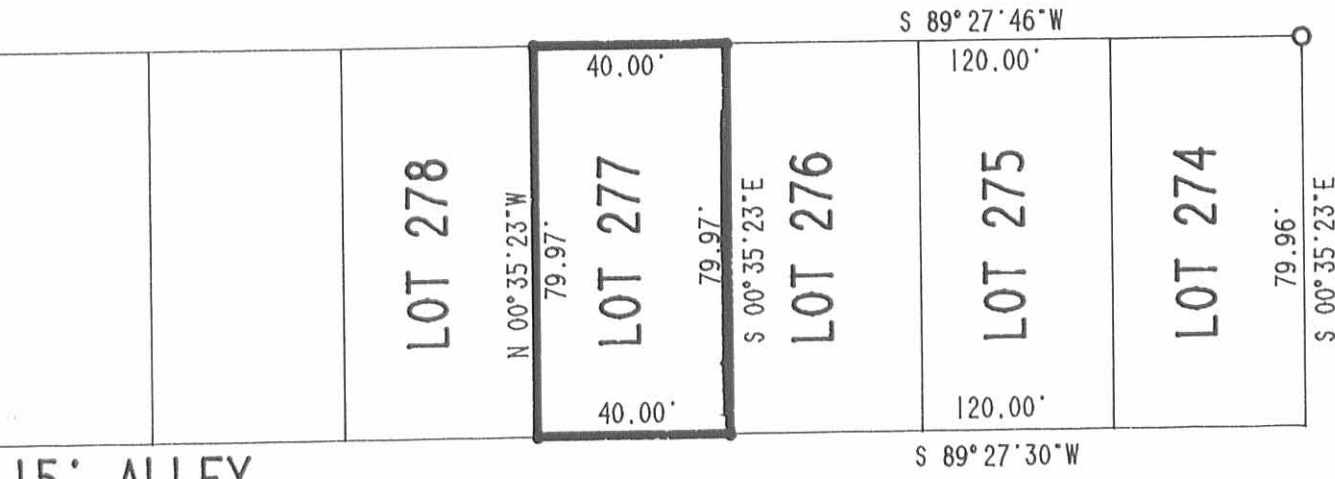
Donovan Survey
 Lot 278 PT
 Lot 279
 Orchard Island
 Washington Terr.
 May - 30 - 1945
 New Day
 Grover Wilgus
 F.F. Wright

House Location
 and Trees
 for Witness
 Purposes
 Only

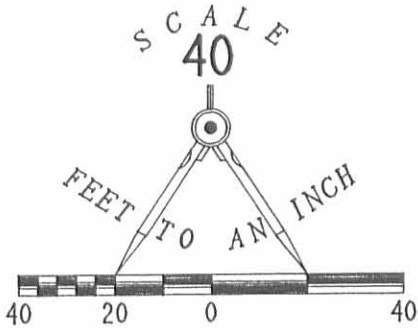
2409 1/P
 INDEXED ON MAP

MAPLE STREET (35')

WOODLAWN AVENUE (35')



15' ALLEY



LEGEND

- 2" PIPE FOUND
- 5/8" I. ROD SET

REFERENCES:

ORCHARD ISLAND. PLAT CABINET A. SLIDE 220

LOGAN COUNTY ENGINEER'S RECORDS:
R-FILES: 5484, 1691, 1783, & 4711

RE-TRACEMENT SURVEY OF LOT 277
 ORCHARD ISLAND ALLOTMENT
 SECTION 36, TOWN 6, RANGE 8
 WASHINGTON TOWNSHIP
 LOGAN COUNTY, OHIO

INDEXED ON MAP
 2409 2P

SURVEYED BY:

JEFFREY I. LEE
 PROFESSIONAL SURVEYOR 6359
 OCTOBER 21, 1993



LEE SURVEYING & MAPPING CO.

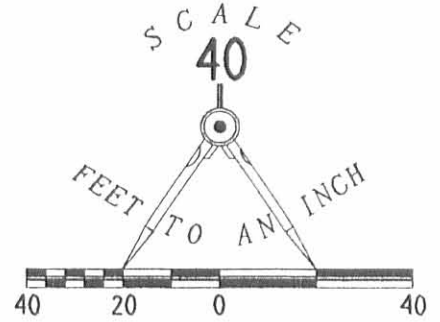
143 East Columbus Avenue
 BELLEFONTAINE, OHIO 43311
 (513) 593-7335

2 WORKING DAYS
BEFORE YOU DIG
 CALL TOLL FREE **800-362-2764**
 OHIO UTILITIES PROTECTION SERVICE.

REC'D 10-30-98 SML

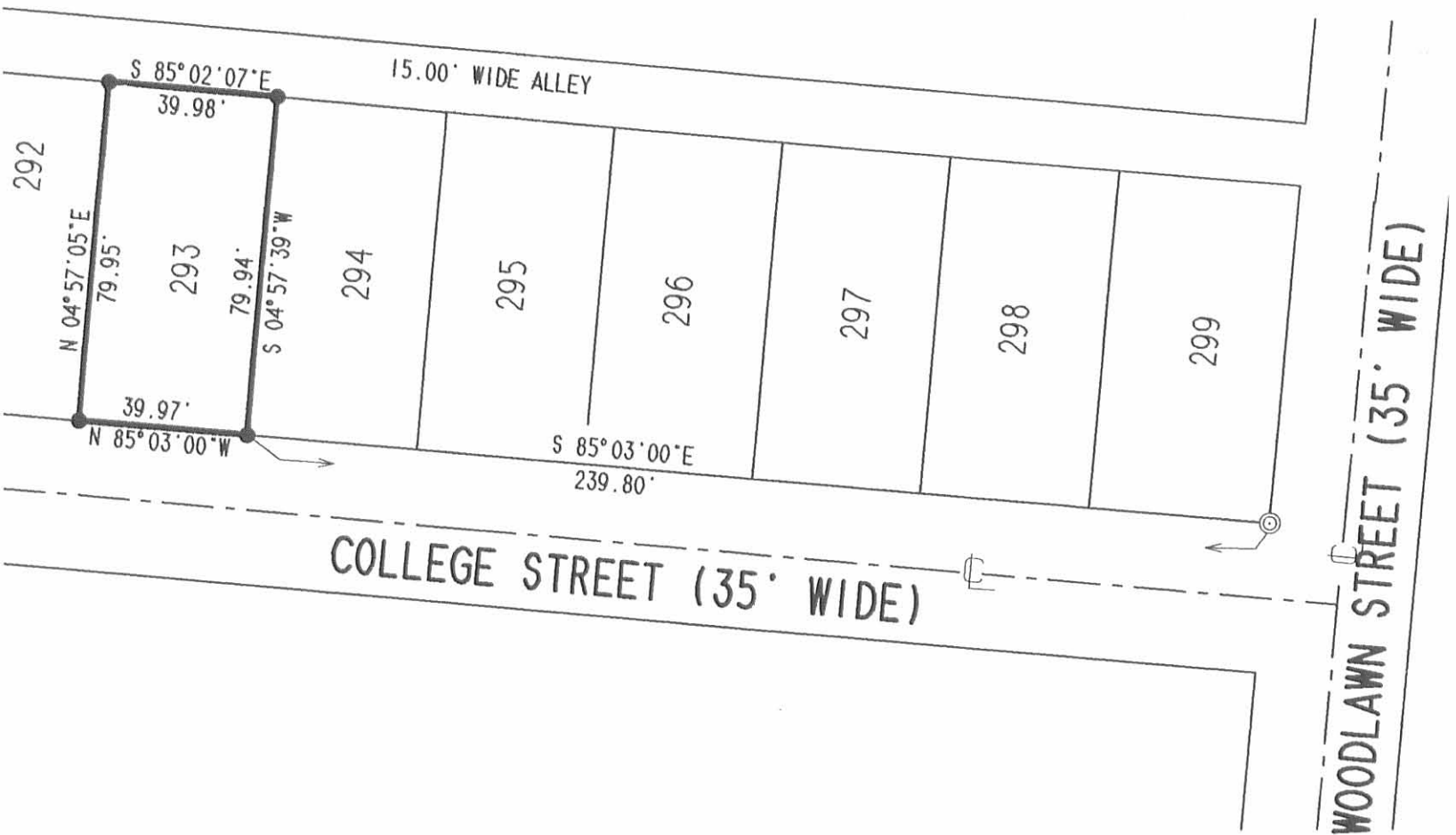
REFERENCES:

- 1. PLAT OF ORCHARD ISLAND, OFFICES OF LOGAN COUNTY RECORDER, PLAT CABINET "A", SLIDE 220
- 2. LOGAN COUNTY ENGINEER'S SURVEY RECORDS, DRAWER "R", FILE NUMBERS 1658, 1691, 1783 AND 1884



LEGEND

- 5/8" IRON ROD SET
- ⊙ 1" IRON BAR FOUND



RETRACEMENT SURVEY OF LOT 293
 PLAT CABINET A. SLIDE 220.
 ORCHARD ISLAND ALLOTMENT,
 SECTION 36. TOWN 6-S. RANGE 8-E
 WASHINGTON TOWNSHIP
 LOGAN COUNTY, OHIO

INDEXED ON MAP
 2409 3P



SURVEYED BY:

Jeffrey I. Lee
 JEFFREY I LEE
 PROFESSIONAL SURVEYOR 6359
 OCTOBER 12, 1998

ORIGINAL STAMP IN GREEN

COPYRIGHT 1998 BY:

LEE SURVEYING & MAPPING CO., INC.

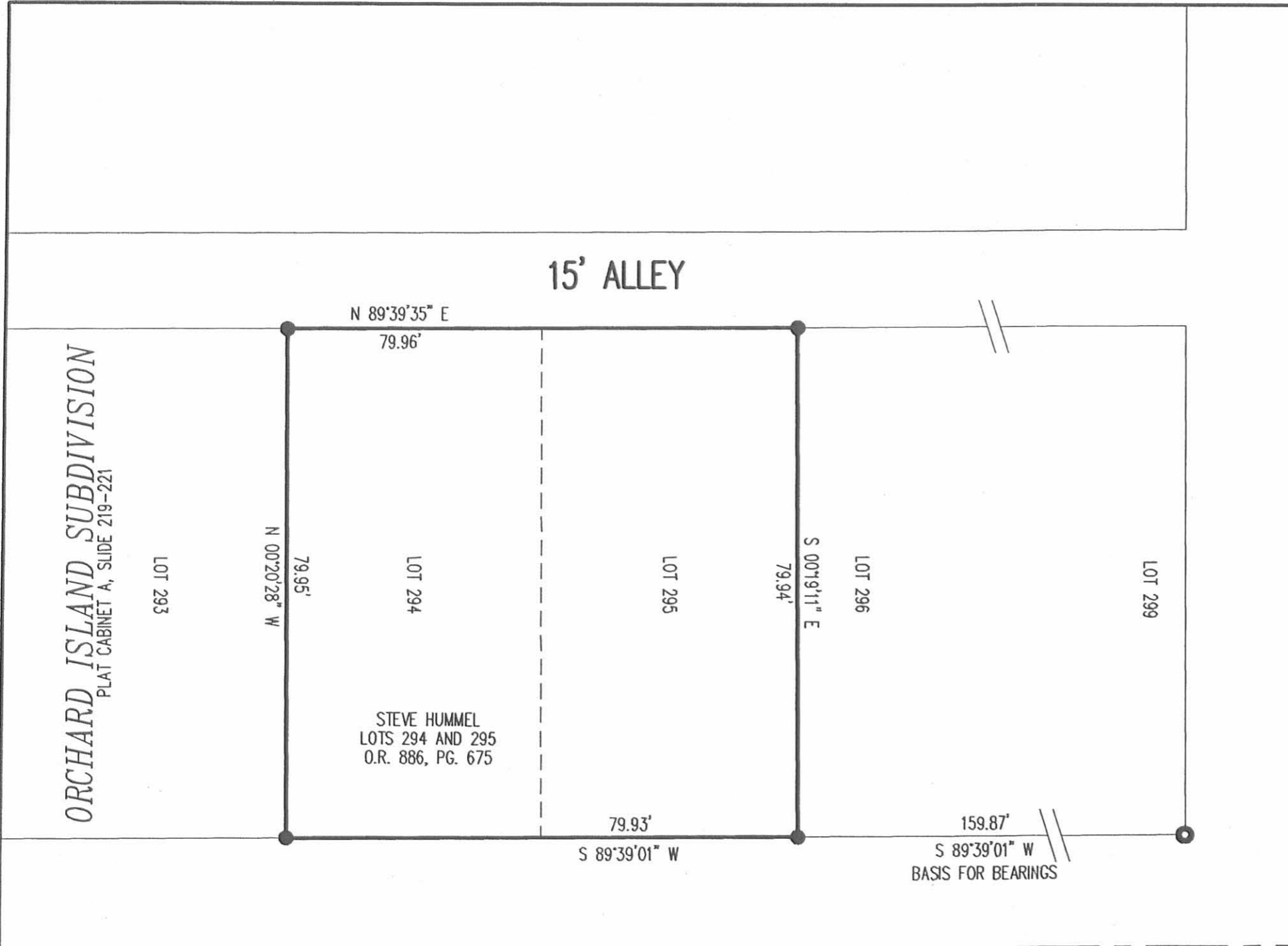
117 North Madriver Street
 BELLEFONTAINE, OHIO 43311

(937) 593-7335

D-336 TAYLOR L-2682-4

2 WORKING DAYS
BEFORE YOU DIG
 CALL TOLL FREE **800-362-2764**
 OHIO UTILITIES PROTECTION SERVICE.

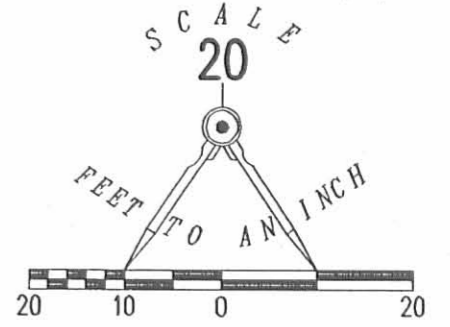
REC'D 9-19-07 smj/ed



15' ALLEY

WOODLAWN AVENUE (35 FEET WIDE)

COLLEGE STREET (35 FEET WIDE)



LEGEND

- 5/8 INCH IRON ROD SET
- 1 INCH IRON ROD FOUND

A RETRACEMENT SURVEY OF
 THE STEVE HUMMEL
 LOTS 294 AND 295
 OFFICIAL RECORD 886, PAGE 675
 ORCHARD ISLAND SUBDIVISION
 PLAT CABINET A, SLIDE 219
 SECTION 36, TOWN 6S, RANGE 8E
 WASHINGTON TOWNSHIP
 LOGAN COUNTY, OHIO

SURVEYED BY:

William K. Bruce
 WILLIAM K. BRUCE
 PROFESSIONAL SURVEYOR 7437
 SEPTEMBER 17, 2007



ORIGINAL STAMP IN GREEN

COPYRIGHT 2007 BY:
LEE SURVEYING & MAPPING CO., INC.
 117 North Madriver Street
 BELLEFONTAINE, OHIO 43311
 (937) 593-7335
 surveys@lsmcinc.us
 ADW D0907 4518097 L-4518097-3

2 WORKING DAYS
BEFORE YOU DIG
 CALL TOLL FREE **800-362-2764**
 OHIO UTILITIES PROTECTION SERVICE

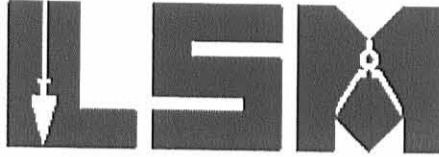
INDEXED ON MAP
 2409 4P

RECORDS 10-26-07 SWY OK

Lee Surveying and Mapping Co., Inc.

Land Surveys • Topography • Subdivisions • Construction Layout

117 N. Madriver St.
Bellefontaine OH 43311



Phone: (937) 593-7335
Fax: (937) 593-7444

BURGBACHER 0.028 ACRE

Lying in Section 36, Town 6, Range 8, Washington Township, Logan County, Ohio.

Being out of the Richard L. Burgbacher and Mary E. Burgbacher, Lot 298 of Orchard Island Subdivision (Plat Cabinet A, Slides 219-221) as deeded in Official Record 870, Page 715 of the Logan County Records of Deeds and being more particularly described as follows:

Commencing on a 1 inch iron bar found at the southeast corner of Lot 299 on the intersection of the north right-of-way of College Street (35 feet wide) and the west right-of-way of Woodlawn Avenue (35 feet wide).

THENCE, with the north right-of-way of College Street and the south line of Lot 299, S 89°-39'-01"W, a distance of 39.97 feet to a 5/8 inch iron rod set at the southwest corner of Lot 299 at the TRUE POINT OF BEGINNING.

THENCE, with the north right-of-way of College Street, S89°-39'-01"W, a distance of 15.00 feet to a 5/8 inch iron rod set.

THENCE, N 0°-16'-56"W, a distance of 79.92 feet to a point on the south right-of-way of a 15 feet wide alley, passing a 5/8 inch iron rod set at 78.92 feet.

THENCE, with the south right-of-way of said 15 feet wide alley, N 89°-39'-41"E, a distance of 15.00 feet to a 5/8 inch iron rod set at the northwest corner of Lot 299.

THENCE, with the west line of Lot 299, S 0°-16'-56"E, a distance of 79.92 feet to the point of beginning.

Containing 0.028 acres.

The basis for bearings is the north right-of-way of College Street, being S 89°-39'-01"W, and all other bearings are from angles and distances measured in a field survey by Lee Surveying and Mapping Co., Inc. on October 25, 2007.

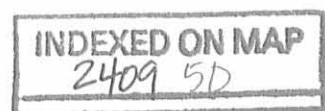


ORIGINAL STAMP IN GREEN

Description prepared by:

William K. Bruce
Professional Surveyor 7437
October 25, 2007

4540107



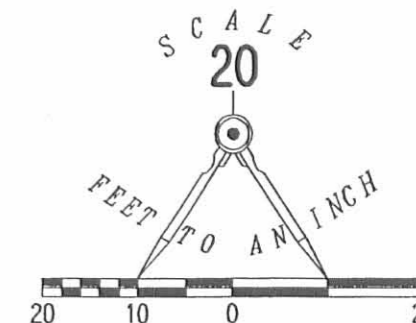
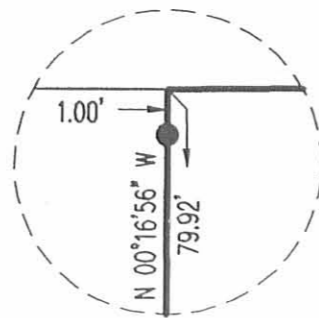
REV'D 10-26-07 SWM OK

LEGEND:

- ⊕ 1 INCH IRON BAR FOUND
- 5/8 INCH IRON ROD FOUND
- 5/8 INCH IRON ROD SET

MAPLE STREET (35')

DETAIL
NOT TO SCALE



15' ALLEY

N 89°39'41" E
104.96'

N 89°39'41" E
15.00'
39.98'

LOT 296

LOT 297

LOT 298

LOT 299

WOODLAWN AVENUE (35')

RICHARD L. BURGBACHER
AND MARY E. BURGBACHER
O.R. 870, PG. 715

VICTOR J. HERNANDEZ AND
CATHERINE V. HERNANDEZ
O.R. 619, PG. 507

RETRACEMENT SURVEY OF THE
VICTOR J. HERNANDEZ AND
CATHERINE V. HERNANDEZ
LOT 299
AND SURVEY OF 0.028 ACRE OUT OF THE
RICHARD L. BURGBACHER
AND MARY E. BURGBACHER
LOT 298
OFFICIAL RECORD 870, PAGE 715
ORCHARD ISLAND SUBDIVISION
PLAT CABINET A, SLIDES 219-221
SECTION 36, TOWN 6, RANGE 8
WASHINGTON TOWNSHIP
LOGAN COUNTY, OHIO

104.90'
S 89°39'01" W
(BASIS FOR BEARINGS)

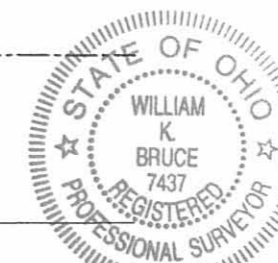
15.00'
S 89°39'01" W
39.97'
S 89°39'01" W

COLLEGE STREET (35')

SURVEYED BY:

William K. Bruce

WILLIAM K. BRUCE
PROFESSIONAL SURVEYOR 7437
OCTOBER 25, 2007



COPYRIGHT 2007 BY:
LEE SURVEYING & MAPPING CO., INC.
117 North Madriver Street
BELLEFONTAINE, OHIO 43311
(937) 593-7335
surveys@lsminc.us

ORIGINAL STAMP IN GREEN KSS D1007 4540107 L-4540-3

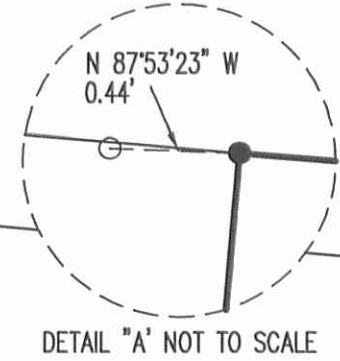
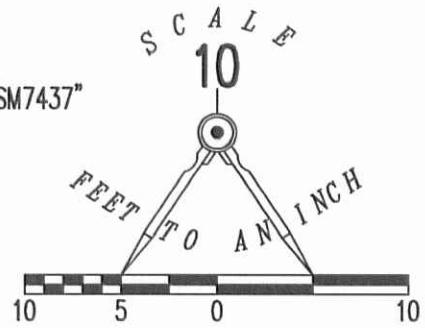
2 WORKING DAYS
BEFORE YOU DIG
CALL TOLL FREE **800-362-2764**
OHIO UTILITIES PROTECTION SERVICE.

INDEXED ON MAP
2409 5P

APPROVED

LEGEND

- 5/8 INCH IRON ROD SET WITH PLASTIC I.D. CAP STAMPED "LSM7437"
- 5/8 INCH IRON ROD FOUND



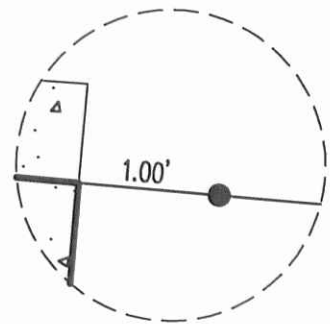
15' ALLEY

SEE DETAIL "A"

SEE DETAIL "B"

S 85°02'29" E
39.97'

CONC.



MARION J. RODABAUGH AND
LINDA S. RODABAUGH
LOT 288
O.R. 1142, PG. 965

PATRICIA A. FLINT AND
DENNIS A. FLINT
LOT 289
O.R. 963, PG. 834

CHRIS FREEMAN AND
LAURA BROSEKE
LOT 290
O.R. 1161, PG. 973

N 04°54'33" E
79.99'

1 STORY FRAME

2 STORY FRAME
W/ CRAWL SPACE

S 04°54'44" W
79.98'

ORCHARD ISLAND
PLAT CABINET A. SLIDE 219

39.97'
N 85°03'00" W

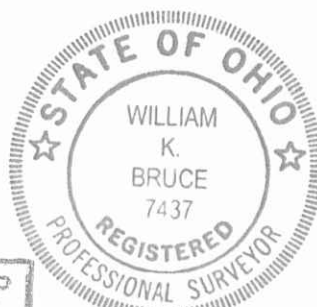
COLLEGE STREET (35 FEET WIDE)

RETRACEMENT SURVEY OF THE
PATRICIA A. FLINT AND DENNIS A. FLINT
LOT 289
OFFICIAL RECORD 963, PAGE 834
ORCHARD ISLAND
PLAT CABINET A. SLIDE 219
WASHINGTON TOWNSHIP
LOGAN COUNTY, OHIO

SURVEYED BY:

William K. Bruce
WILLIAM K. BRUCE
PROFESSIONAL SURVEYOR 7437
APRIL 2, 2015

COPYRIGHT 2015 BY:
LEE SURVEYING & MAPPING CO., INC.
117 North Madriver Street
BELLEFONTAINE, OHIO 43311
(937) 593-7335
WWW.LSMINC.US
surveys@lsminc.us



ORIGINAL STAMP IN GREEN

INDEXED ON MAP
2409 6P

2 WORKING DAYS
BEFORE YOU DIG
CALL TOLL FREE 800-362-2764
OHIO UTILITIES PROTECTION SERVICE

ADW D0315 58910315 L-5891-3

FB 712

Alley Survey
Orchard Island
Washington Twp., Logan Co., Ohio

- | Pt. | Description |
|-----|---|
| A.) | Fd. 2" I.D. pipe |
| B.) | Fd. $\frac{3}{8}$ " dia. capped rebar - 0.04'
Lt. of line A-D |
| C.) | Fd. $\frac{3}{8}$ " dia. capped rebar on
line A-D. |
| D.) | Fd. 1" dia. iron |
| E.) | Set $\frac{3}{8}$ " dia. capped rebar on
line D-G. half way between
pts. D & G. |
| F.) | Fd. $\frac{3}{4}$ " dia. iron on line D-G. |
| G.) | Fd. 1" dia. iron |
| H.) | Fd. $\frac{3}{8}$ " dia. capped rebar on
line G-J. |
| I.) | Fd. $\frac{3}{8}$ " dia. capped rebar 0.04'
Lt. of line G-J. |
| J.) | Fd. 1" dia. iron |
| K.) | Set $\frac{3}{8}$ " dia. capped rebar
on line J-A half way between
pts. J & A. |

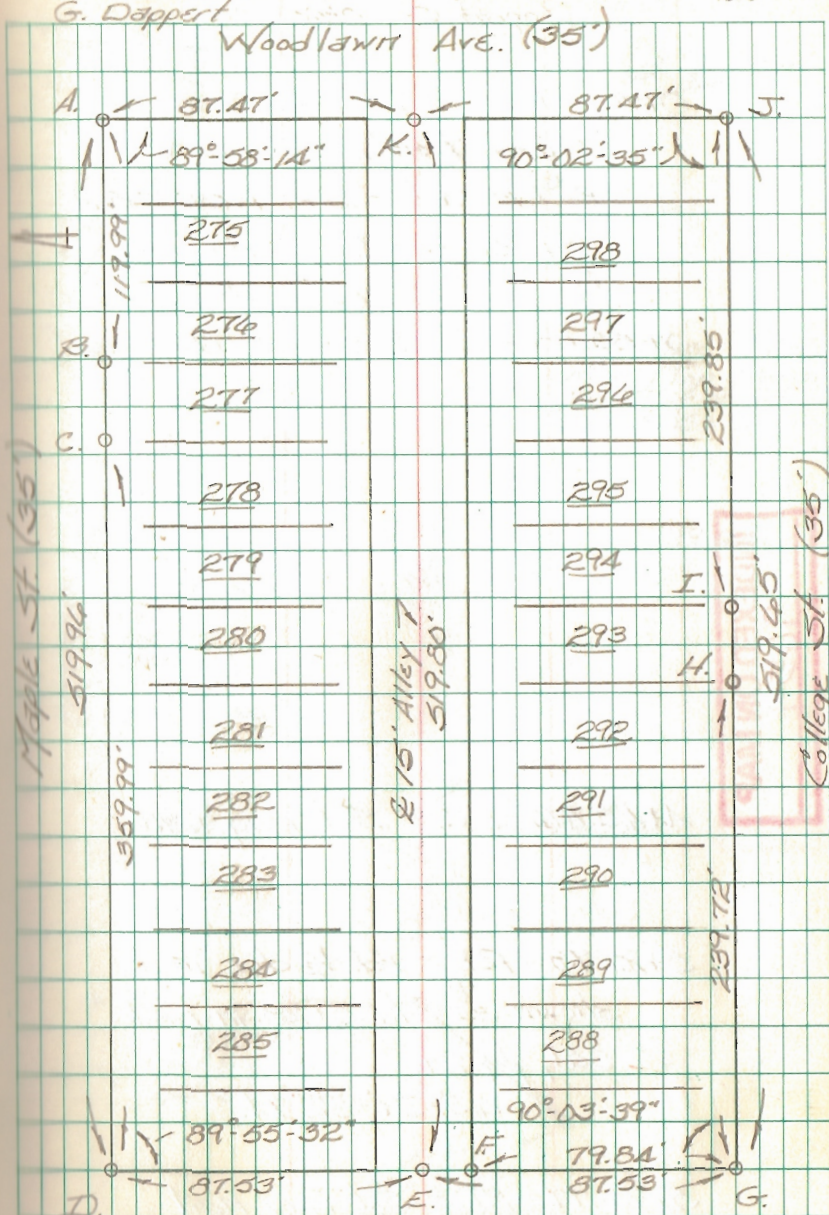
INDEXED ON MAP

2409

C. Dill
B. Simmons
G. Dappert

JAN. 2004

20



Mauger Ave. (35')