

MILLER SURVEY
V. M. S. 9946-9925-10121
WASHINGTON TOWNSHIP
September 17, 1963

The following described real estate situated in Washington Township, Logan County, Ohio and being part of Virginia Military Survey 9946-9925-10121 and more particularly described as follows:

Beginning at an iron bar in the center of County Highway No. 94 at the southwest corner of Lester C. Fox's 3.32 acre tract, said iron bar being Sta. 81+17.8 as shown in Logan County Engineer's field book No. 571, page 63; thence with said Fox's south line, the south line of the Five Parks Addition, the south line of Lowell F. Miller's 6.87 acre tract, and the south line of Louis Miller's 10.43 acre tract, N. 57°42' E. 3064.8 feet to a post at the northwest corner of Harold Englehaupt's 78.70 acre tract, passing a stone at 18.04' and also crossing the centerline of U. S. Route 33 at 777.0 feet; thence with said Englehaupt's west line, the west line of Edith H. Tracey's 36.48 acre tract, and the west line of Harold Englehaupt's 66.80 acre tract, S. 8°50' E. 4938.9 feet to an iron bar, passing the centerline of U. S. Route 33 at 2187.8 feet; thence N. 87°09' W. 784.7 feet to an iron bar; thence S. 82°43' W. 669.5 feet to an iron bar; thence S. 77°48' W. 651.5 feet to an iron bar in the center of said County Highway 94, said iron bar being Sta. 44+65.6; thence with said centerline N. 20°16' W. 3652.2 feet to the place of beginning.

Containing 241.00 acres more or less. Excepting therefrom the I. C. & E. Traction Company right of way, containing 4.6 acres.

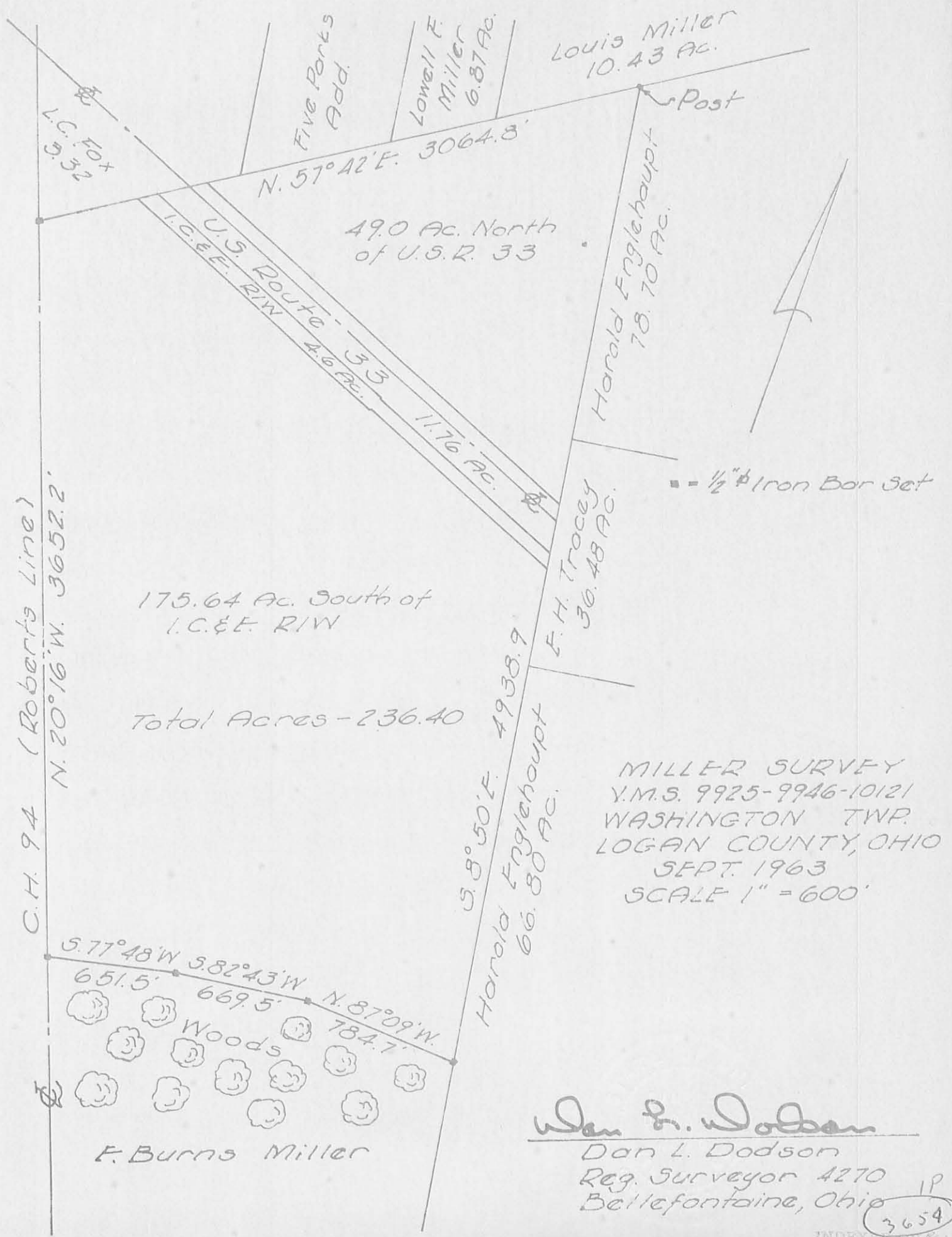
101
3654

MILLER SURVEY

The above described 241.00 acre tract being divided as follows:

Lands north of U. S. Route 33	49.00 Acres
U. S. Route 33 right of way	11.76 Acres
I. C. & E. Traction Co. right of way	4.6 Acres
Lands South of U. S. Route 33	<u>175.64 Acres</u>
Total	241.00

1D-2
3654



49.0 Ac. North of U.S.R. 33

175.64 Ac. South of I.C. & E. R.I.W.

Total Acres - 236.40

MILLER SURVEY
 Y.M.S. 9925-9946-10121
 WASHINGTON TWP.
 LOGAN COUNTY, OHIO
 SEPT. 1963
 SCALE 1" = 600'

Dan L. Dodson
 Dan L. Dodson
 Reg. Surveyor 4270
 Bellefontaine, Ohio

IP
 3654

Received 1-22-93 OK (LRL)



Lee Surveying and Mapping Co.



Farm Surveys • Lot Surveys • Topography • Subdivisions • Construction Layout

143 EAST COLUMBUS AVENUE
BELLEFONTAINE, OHIO 43311

(513) 593-7335

JEFFREY I. LEE, P.S.

LEADER DEVELOPMENT PROPERTIES, INC. 13.956 ACRES

Lying in Virginia Military Survey 9925-9946-10121, Washington Township, Logan County, Ohio.

Being all of that 14.25 acre tract as deeded and described in Deed Volume 404, Pages 629 and 631 and Deed Volume 407, Page 377 of the Logan County Records of Deeds and being more particularly described as follows:

Beginning at a 5/8 inch iron rod found at the southwest corner of the Ben K. Tracey 18.990 acre tract (O.R. 135, Pg. 788) and on the northerly right-of-way of U.S. Route 33. Said iron rod is N 67°-51'-34" W, along the said right-of-way, a distance of 76.19 feet from a concrete right-of-way monument found 65.0 feet left of highway station 384+00 (O.D.O.T. plan LOG. 33-5.85 sheet 4 of 13).

THENCE, with the northerly right-of-way of U.S. Route 33, N 67°-51'-34" W, a distance of 1342.30 feet to a point in the center of Cherokee Mans Creek, passing a 5/8 inch iron rod set for reference at 1304.30 feet.

THENCE, with the center-line of Cherokee Mans Creek the following six courses:
N 58°-30'-26" E, a distance of 559.28 feet to a point referenced by a 5/8 inch iron rod set S 16°-16'-04" E, a distance of 18.00 feet.
N 87°-22'-12" E, a distance of 65.57 feet to a point referenced by a 5/8 inch iron rod set S 9°-28'-08" E, a distance of 21.00 feet.
N 67°-28'-36" E, a distance of 204.18 feet to a point referenced by a 5/8 inch iron rod set S 5°-55'-59" E, a distance of 33.00 feet.
S 85°-21'-53" E, a distance of 105.26 feet to a point referenced by a 5/8 inch iron rod set S 7°-57'-58" E, a distance of 31.00 feet.
N 71°-14'-47" E, a distance of 128.70 feet to a point referenced by a 5/8 inch iron rod set S 34°-27'-26" E, a distance of 30.00 feet.
N 40°-56'-57" E, a distance of 172.10 feet to a point.

THENCE, with the west lines of the Stephen J. Warnecke 13.306 acre tract (O.R. 162, Pg. 699) and 5.07 acre tract (O.R. 128, Pg. 811) and the aforesaid 18.990 acre tract, S 9°-24'-39" E, a distance of 1056.35 feet to the point of beginning, passing a 5/8 inch iron rod set for reference at 36.00 feet.

Containing 13.956 acres.

The basis for bearings is based upon the west line of the 5.07 acre tract being S 9°-24'-39" E, and all other bearings are from angles and distances measured in a field survey by Lee Surveying and Mapping Company on January 7, 1993.

Description prepared by:



Jeffrey I. Lee
Jeffrey I. Lee
Professional Surveyor 6359
January 22, 1993.

L 768

ORIGINAL STAMP IN GREEN

INDEXED ON MAP
3654 2D

SEWER LINE EASEMENTS (NOT REFERENCED ON THIS MAP)

- DEED VOL. 397, PG. 984 AND DEED VOL. 397, PG. 986 - 10' WIDE EASEMENT FROM LOT NO. 197 OF WATERBURY ALLOTMENT NO. 1 TO NORTH STREET OF DUNN'S POND ALLOTMENT. (SEE RELEASE VOL. 29, PG. 327)
- DEED VOL. 399, PG. 985 - 10' WIDE EASEMENT FROM NORTH STREET OF DUNN'S POND ALLOTMENT TO THE CENTER-LINE OF ST. RT. 366. (SEE RELEASE VOL. 29, PG. 327)
- DEED VOL. 391, PG. 247 - 10' WIDE EASEMENT, 130' IN LENGTH, ACROSS A PART OF A 2.74 ACRE TRACT.

ELECTRIC AND GAS LINE EASEMENTS (NOT REFERENCED ON THIS MAP)

- DEED VOL. 398, PG. 492 - DAYTON POWER & LIGHT CO. 10' WIDE EASEMENT ACROSS TWO TRACTS OF LAND CONTAINING 4.709 ACRES IN AGGREGATE. THIS EASEMENT DOES NOT AFFECT THE SUBJECT PARCEL.

FIVE PARKS ALLOTMENT
PLAT CABINET A, SLIDE 219 - 221

INDIAN DRIVE
DEDICATION NOT FOUND

VACATED STREET

COMMISSIONERS' JOURNAL
I-A, PAGE 536

CENTER-LINE 15' INGRESS/EGRESS EASEMENT
VOL. 397, PG. 28

CENTER-LINE 10' SEWER LINE EASEMENT
VOL. 391, PG. 247

WAYNE GUESS
4.914 ACRES
O.R. 115, PG. 975

MAX E. GREEN & WILLIAM A. HARRISON
18.26 ACRES
VOL. 336, PG. 271

CENTER-LINE 15' INGRESS/EGRESS EASEMENT
VOL. 397, PG. 26

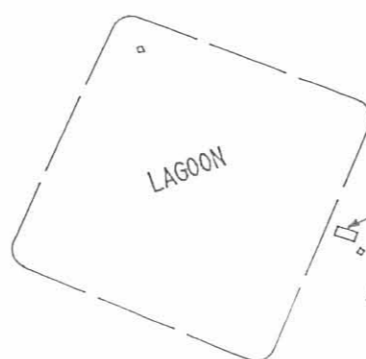
CENTER-LINE 10' SEWER LINE EASEMENT
VOL. 390, PG. 983

RICHARD M. & RUTH L. BEARD
ORIGINAL 93.62 ACRES (TRACT 1)
VOL. 302, PG. 538

CHARLES LOWELL & HELEN IDA HOWARD
ORIGINAL 241.00 ACRES
VOL. 292, PG. 190

LINE	BEARING	DISTANCE
L 1	N 87° 22' 12" E	65.57'
L 2	S 85° 21' 53" E	105.26'
L 3	S 16° 16' 04" E	18.00'
L 4	S 09° 28' 08" E	21.00'
L 5	S 05° 55' 59" E	33.00'
L 6	S 07° 57' 58" E	31.00'
L 7	S 34° 27' 26" E	30.00'

13.956 ACRES



EXISTING SEWAGE TREATMENT FACILITY
(NON-OPERATIONAL AS OF DATE OF THIS SURVEY)

10' ELECTRIC R/W AND EASEMENT
DAYTON POWER AND LIGHT CO.
O.R. 6, PG. 246

STEPHEN J. WARNECKE, DBA JMJ CEMENT CONTRACTORS
13.306 ACRES
O.R. 162, PG. 699

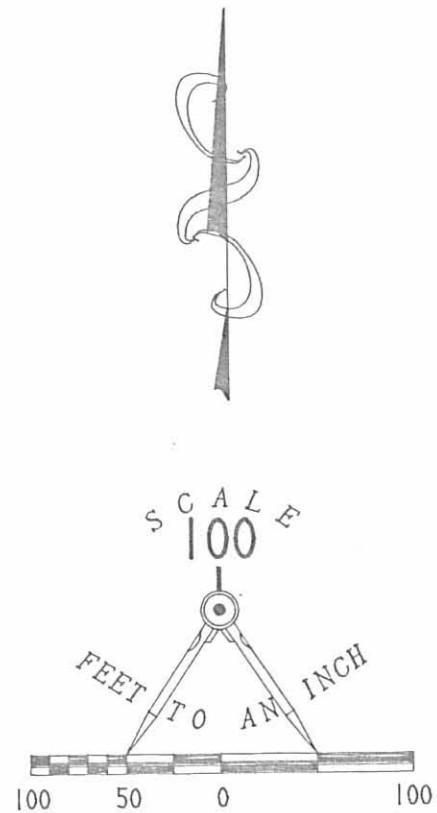
STEPHEN J. & JOYCE WARNECKE
5.07 ACRES
O.R. 128, PG. 811

CHEROKEE HEIGHTS SUBDIVISION NO. 1
PLAT BOOK F, VOL. 6, PG. 4
LOT 7

BEN K. & SHIRLEY A. TRACEY
18.990 ACRES
O.R. 135, PG. 788

33

33



LEGEND:

- 5/8" IRON ROD SET
- 5/8" IRON ROD FOUND
- ⊙ 6" DIAMETER STEEL FENCE POST FOUND
- ⊙ CONCRETE RIGHT-OF-WAY MONUMENT FOUND
- LINE NOT DRAWN TO SCALE
- ⊙ UTILITY POLE

ALL IRON RODS SET ARE 5/8" x 30" REBAR WITH PLASTIC I.D. CAPS STAMPED "LEE P66359".

REFERENCES:

- O.D.O.T. - R/W PLAN, U.S. ROUTE 33, STA. 366+00 TO STA. 396+00. (LOGAN COUNTY, LOG. 33-5.85), SHEET 4 OF 13
- LOGAN COUNTY ENGINEER'S SURVEY RECORDS, DRAWER "R". FILE NUMBERS 5079, 8177, 3647

BOUNDARY SURVEY OF THE
LEADER DEVELOPMENT PROPERTIES, INC.
13.956 ACRES
VOLUME 404, PAGES 629 & 631
VOLUME 407, PAGE 377
VIRGINIA MILITARY SURVEY 9925-9946-10121
WASHINGTON TOWNSHIP
LOGAN COUNTY, OHIO

SURVEYED BY:

JEFFREY I. LEE
PROFESSIONAL SURVEYOR 6359
JANUARY 7, 1993



LEE SURVEYING & MAPPING CO.
143 East Columbus Avenue
BELLEFONTAINE, OHIO 43311
(513) 593-7335

ORIGINAL STAMP IN GREEN

D 210 TRACEY

L-768-1

2 WORKING DAYS
BEFORE YOU DIG
CALL TOLL FREE 800-362-2764
OHIO UTILITIES PROTECTION SERVICE

INDEXED ON MAP
3654 21

INDEXED ON MAP
3654

Lee Surveying and Mapping Co., Inc.

Land Surveys • Topography • Subdivisions • Construction Layout

117 N. Madriver St.
Bellefontaine OH 43311



Phone: (937) 593-7335
Fax: (937) 593-7444

HOWARD 47.117 ACRES

Lying in Virginia Military Survey 9925, 9946, 10121, Washington Township, Logan County, Ohio.

Being out of the remainder of the Helen I. Howard and Charles Lowell Howard, Trustees, original 213.430 acre tract as deeded and described in Official Record 356, Page 447, Tract IV of the Logan County Records of Deeds and being more particularly described as follows:

Beginning for reference at a 3/4 inch iron rod found on the Robert's Line, the center-line of Township Road 94 (40 feet wide) and the west line of Virginia Military Survey 9925, 9946, 10121, at the southeast corner of Fractional Section 6, Town 7, Range 9.

THENCE, with the Robert's Line, the center-line of Township Road 94, the west line of Virginia Military Survey 9925, 9946, 10121 and the east line of Section 6, N 20°-16'-00"W, a distance of 3230.39 feet to a 5/8 inch iron rod found.

THENCE, with the south line of the Renna Hinkle 1.30 acre tract (O.R. 449, Pg. 51), N 57°-41'-33"E, a distance of 614.29 feet to a 5/8 inch iron rod set at the TRUE POINT OF BEGINNING, passing 5/8 inch iron rods set at 20.45 feet and 517.81 feet. Said point also being at the northwest corner of the State of Ohio 4.60 acre tract (Vol. 168, Pg. 276).

THENCE, with the south line of the Puterbaugh Subdivision, (Plat Cabinet A, Slide 249) N 57°-41'-33"E, a distance of 243.66 feet to a 5/8 inch iron rod set on the northerly right-of-way of U.S. Route 33.

THENCE, continuing with the south lines of the said Puterbaugh Subdivision, the Five Parks Addition (Plat Cabinet A, Slide 217), the Lowell F. Miller 7.364 acre tract (Vol. 159, Pg. 342) and the Harry R. Brooks 4.914 acre tract (O.R. 499, Pg. 762, Tract V), N 57°-41'-33"E, a distance of 2208.11 feet to a 5/8 inch iron rod set at the southwest corner of the Sheldon O. Hall 5.52 acre tract (O.R. 260, Pg. 259) and the northwest corner of the Kenneth W. Gasmire, Sr. 18.26 acre tract (O.R. 249, Pg. 489, Tract I).

THENCE, with the west lines of the said 18.26 acre tract, the Richard M. Beard original 93.62 acre tract (Vol. 302, Pg. 538, Tract No. 1) and the Michael D. Miller 13.306 acre tract (O.R. 608, Pg. 165), S 08°-57'-49"E, a distance of 1062.03 feet to a point, passing a 5/8 inch iron rod set at 1028.03 feet.

THENCE, with the north line of the Margaret Janell Tracey 13.956 acre tract (O.R. 337, Pg. 401), and the center-line of Cherokee Mans Run Creek, the following 6 (six) courses:

1.) S 40°-46'-25"W, a distance of 170.18 feet to a point, referenced by a 5/8 inch iron rod found, S 34°-05'-31"E, a distance of 30.00 feet.

2.) S 71°-36'-42"W, a distance of 128.70 feet to a point, referenced by a 5/8 inch iron rod found, S 7°-36'-03"E, a distance of 31.00 feet.

3.) N 84°-59'-53"W, a distance of 105.26 feet to a point, referenced by a 5/8 inch iron rod found, S 5°-34'-03"E, a distance of 33.00 feet.

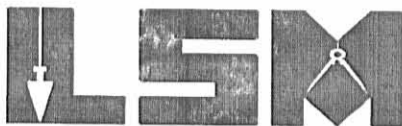
4.) S 67°-50'-31"W, a distance of 204.18 feet to a point, referenced by a 5/8 inch iron rod found, S 9°-06'-12"E, a distance of 21.00 feet.

5.) S 87°-44'-07"W, a distance of 65.57 feet to a point, referenced by a 5/8 inch iron rod found, S 15°-54'-09"E, a distance of 18.00 feet.

Lee Surveying and Mapping Co., Inc.

Land Surveys • Topography • Subdivisions • Construction Layout

117 N. Madriver St.
Bellefontaine OH 43311



Phone: (937) 593-7335
Fax: (937) 593-7444

6.) S 58°-52'-22"W, a distance of 559.28 feet to a 5/8 inch iron rod found on the northerly right-of-way of U.S. Route 33.

THENCE, with the said northerly right-of-way and the southerly line of the said 13.956 acre tract, S 67°-29'-38"E, a distance of 1337.58 feet to a 5/8 inch iron rod set.

THENCE, with the west line of the Julia F. Montgomery original 50.00 acre tract (O.R. 336, Pg. 731, Tract III), S 8°-57'-49"E, a distance of 244.16 feet to a 5/8 inch iron rod set at the northeast corner of the said State of Ohio 4.60 acre tract.

THENCE, with the northerly lines of the said 4.60 acre tract the following 4 (four) courses:

- 1) N 67°-28'-51"W, a distance of 1148.15 feet to a 5/8 inch iron rod set.
- 2.) N 22°-30'-22"E, a distance of 7.00 feet to a 5/8 inch iron rod set.
- 3.) N 67°-28'-52"W, a distance of 1309.87 feet to a 5/8 inch iron rod set.
- 6.) N 67°-00'-04"W, a distance of 186.87 feet to the point of beginning.

Containing 47.117 acres, more or less, of which 11.757 acres are within the highway right-of-way.

The basis for bearings is the center-line of Township Road 94, being N 20°-16'-00"W, and all other bearings are from angles and distances measured in a field survey by Lee Surveying and Mapping Co., Inc. on September 21, 2003.

Description prepared by:

A handwritten signature in black ink, appearing to read 'William K. Bruce'.

William K. Bruce
Professional Surveyor 7437
October 8, 2003



ORIGINAL STAMP IN GREEN

L-1284

INDEXED ON MAP

3D-2

Lee Surveying and Mapping Co., Inc.

Land Surveys • Topography • Subdivisions • Construction Layout

117 N. Madriver St.
Bellefontaine OH 43311



Phone: (937) 593-7335
Fax: (937) 593-7444

HOWARD 164.734 ACRES

Lying in Virginia Military Survey 9925, 9946, 10121, Washington Township, Logan County, Ohio.

Being out of the remainder of the Helen I. Howard and Charles Lowell Howard, Trustees, original 213.430 acre tract as deeded and described in Official Record 356, Page 447, Tract IV of the Logan County Records of Deeds and being more particularly described as follows:

Beginning for reference at a 3/4 inch iron rod found on the Robert's Line, the center-line of Township Road 94 (40 feet wide) and the west line of Virginia Military Survey 9925, 9946, 10121, at the southeast corner of Fractional Section 6, Town 7, Range 9.

THENCE, with the Robert's Line, the west line of Virginia Military Survey 9925, 9946, 10121, the east line of Section 6 and the center-line of Township Road 94, N 20°-16'-00" W, a distance of 64.61 feet to a railroad spike found at the TRUE POINT OF BEGINNING.

THENCE, continuing with the Robert's Line, the west line of Virginia Military Survey 9925, 9946, 10121, the east line of Section 6 and the center-line of Township Road 94, N 20°-16'-00"W, a distance of 305.15 feet to a railroad spike set.

THENCE, with the south line of the Lori L. Staley 2.635 acre tract (O.R. 429, Pg. 830), N 69°-48'-20"E, a distance of 372.79 feet to a 5/8 inch iron rod found, passing a 5/8 inch iron rod found at a distance of 20.09 feet.

THENCE, with the east line of said 2.635 acre tract, N 19°-46'-29"W, a distance of 308.92 feet to a 5/8 inch iron rod found.

THENCE, with the lines of the D. Lynn Moon 2.306 acre tract, (O.R. 123, Pg. 709), the following 2 (two) courses:

- 1.) N 68°51'-18"E, a distance of 214.39 feet to a 5/8 inch iron rod found;
- 2.) N 20°-13'-44"W, a distance of 356.50 feet to a 5/8 inch iron rod found;

THENCE, with the north line of the said 2.306 acre tract and the D. Lynn Moon 2.724 acre tract, (O.R. 75, Pg. 241), S 71°-58'-23"W, a distance of 590.50 feet to railroad spike found, passing a 5/8 inch iron rod found at 570.42 feet.

THENCE, with the Robert's Line, the west line of Virginia Military Survey 9925, 9946, 10121, the east line of Section 6 and the center-line of Township Road 94, N 20°-16'-00"W, a distance of 2169.33 feet to a 5/8 inch iron rod found.

THENCE, with the south line of the Renna Henkle 1.30 acre tract (O.R. 449, Pg. 51), N 57°-41'-33"E, a distance of 517.81 feet to a 5/8 inch iron rod set, passing a 5/8 inch iron rod set at 20.45 feet.

THENCE, with the southerly line of the State Of Ohio 4.60 acre tract (Vol. 168, Pg. 276), the following 4 (four) courses:

- 1.) S 66°-50'-35"E, a distance of 242.47 feet to a 5/8 inch iron rod set.
- 2.) S 67°-28'-52"E, a distance of 1309.87 feet to a 5/8 inch iron rod set.
- 3.) N 22°-30'-22"E, a distance of 7.00 feet to a 5/8 inch iron rod set.
- 4.) S 67°-28'-51"E, a distance of 1188.55 feet to a 5/8 inch iron rod set.

Lee Surveying and Mapping Co., Inc.

Land Surveys • Topography • Subdivisions • Construction Layout

117 N. Madriver St.
Bellefontaine OH 43311



Phone: (937) 593-7335
Fax: (937) 593-7444

THENCE, with the east lines of the Julia F. Montgomery original 50.00 acre tract (O.R. 336, Pg. 731, Tract III), and the James G. Mast original 94.29 acre tract (Vol. 301, Pg. 601), S 08°-57'-49"E, a distance of 2501.42 feet to a 5/8 inch iron rod set.

THENCE, with the north lines of the Miller Family Partnership, PLL 100 acre tract (O.R. 261, Pg. 294), the following 3 (three), courses:

- 1.) N 87°-09'-00"W, a distance of 784.70 feet to a 5/8 inch iron rod set.
- 2.) S 82°-41'-20"W, a distance of 680.72 feet to a 5/8 inch iron rod set.
- 3.) S 77°-39'-39"W, a distance of 651.73 feet to a 1/2 inch iron bar found in the center-line of Township Road 94, passing a 5/8 inch iron rod set at 631.53 feet.

THENCE, with the said center-line N 20°-16'-00"W, a distance of 50.52 feet to a railroad spike found.

THENCE, with the south line of the Jay D. Hughes 1.43 acre tract (O.R. 213, Pg. 591), N 77°-47'-39"E, a distance of 370.39 feet to a 5/8 inch iron rod found, passing a 5/8 inch iron rod found at 20.20 feet.

THENCE, with the east lines of the said 1.43 acre tract and the Vernon A. Christman 2.26 acre tract (O.R. 56, Pg.879), N 19°-49'-50"W, a distance of 436.20 feet to a 5/8 inch iron rod found.

THENCE, with north line of the said 2.26 acre tract. S 77°-47'-13"W, a distance of 373.74 feet to the point of beginning, passing a 5/8 inch iron rod set at 353.56 feet.

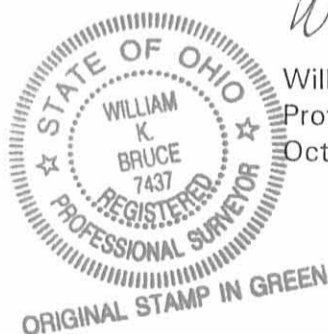
Containing 164.734 acres, more or less, of which 1.160 acre is within the highway right-of-way.

The basis for bearings is the center-line of Township Road 94, being N 20°-16'-00"W, and all other bearings are from angles and distances measured in a field survey by Lee Surveying and Mapping Co., Inc. on September 21, 2003.

Description prepared by:

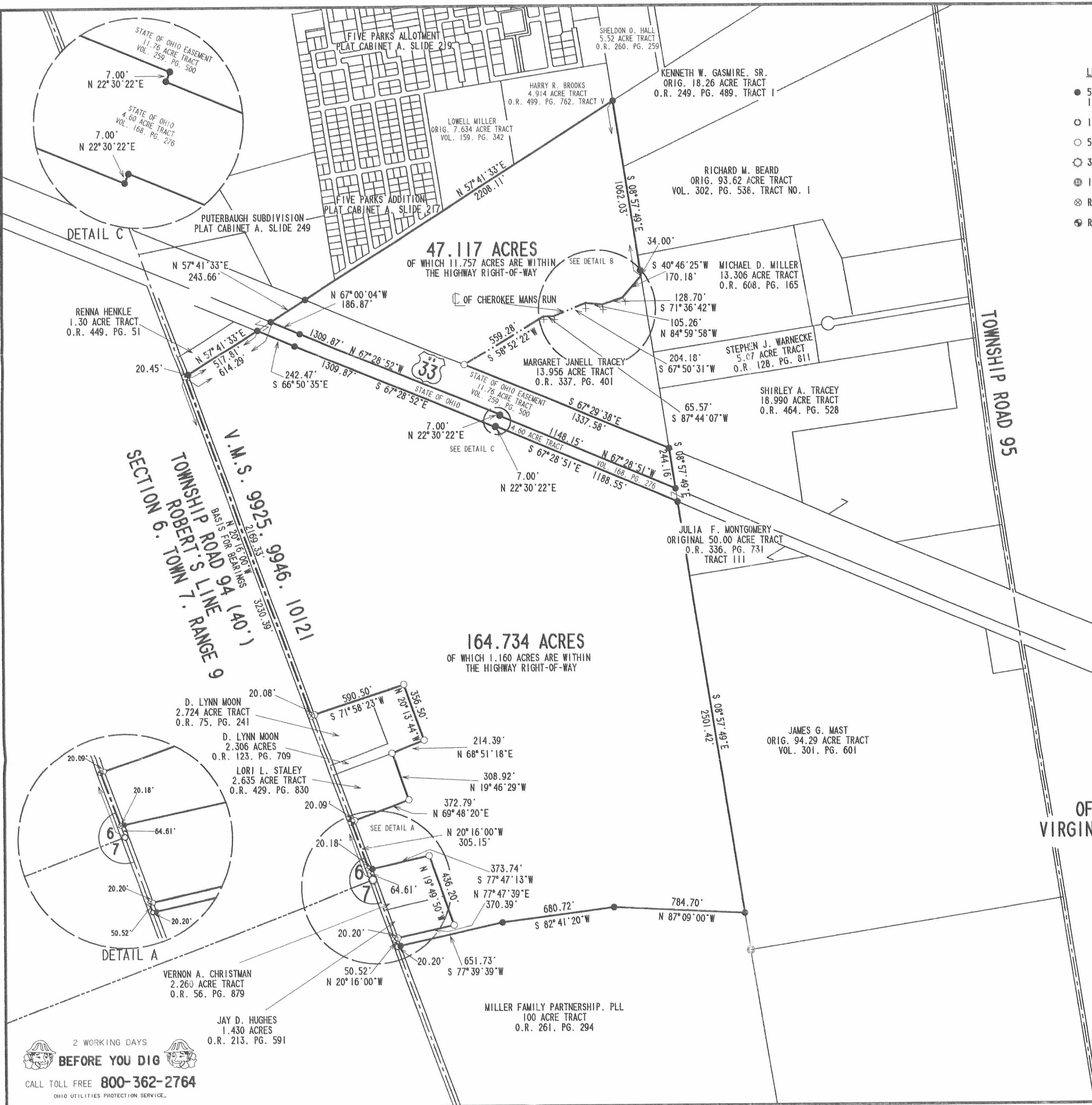
A handwritten signature in black ink, appearing to read 'W.K. Bruce', is written over the printed name.

William K. Bruce
Professional Surveyor 7437
October 8, 2003

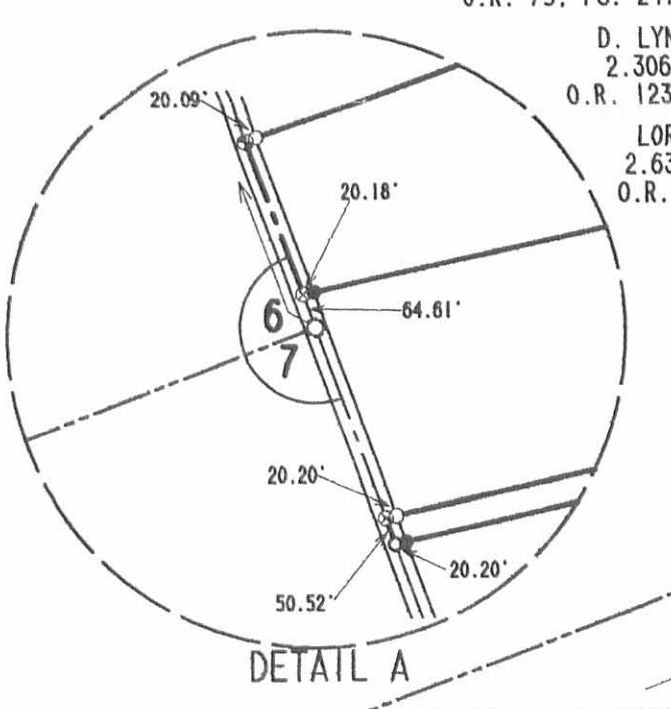
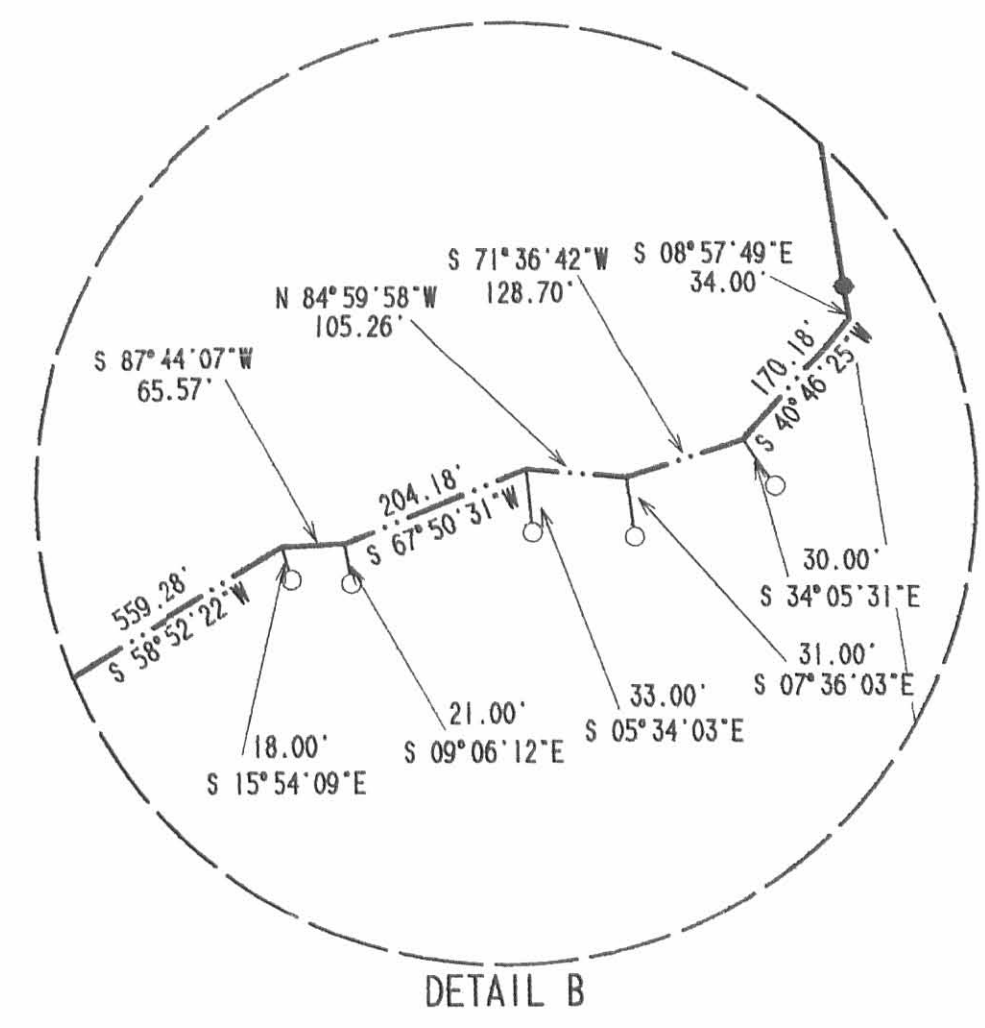
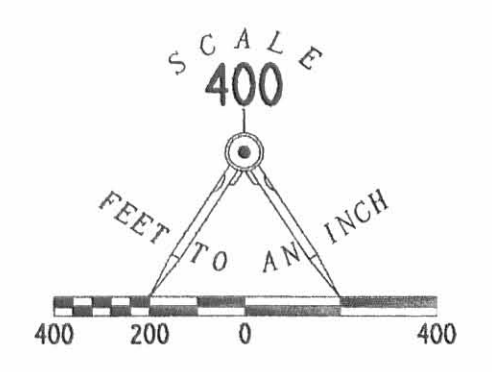


L-1284

INDEXED ON MAP
3654 3D-4



- LEGEND:**
- 5/8 INCH IRON ROD SET WITH PLASTIC I.D. CAP STAMPED "LEE PS6359"
 - 1/2 INCH IRON BAR FOUND
 - 5/8 INCH IRON ROD FOUND
 - 3/4 INCH IRON ROD FOUND
 - ⊕ 1 INCH IRON PIPE FOUND
 - ⊗ RAILROAD SPIKE FOUND
 - ⊕ RAILROAD SPIKE SET



SURVEY OF THE REMAINDER OF THE HELEN I. HOWARD AND CHARLES LOWELL HOWARD, TRUSTEES ORIGINAL 213.430 ACRE TRACT OFFICIAL RECORD 356, PAGE 447, TRACT IV VIRGINIA MILITARY SURVEYS 9925, 9946, AND 10121 WASHINGTON TOWNSHIP LOGAN COUNTY, OHIO

SURVEYED BY:

 WILLIAM K. BRUCE
 PROFESSIONAL SURVEYOR 7437
 SEPTEMBER 21, 2003



COPYRIGHT 2003 BY:
LEE SURVEYING & MAPPING CO., INC.
 117 North Madriver Street
 BELLEFONTAINE, OHIO 43311
 (937) 593-7335

2 WORKING DAYS
BEFORE YOU DIG
 CALL TOLL FREE 800-362-2764
 OHIO UTILITIES PROTECTION SERVICE

INDEXED ON MAP
 3654 3P

RECID 10-21-11 SMM OK

Lee Surveying and Mapping Co., Inc.

Land Surveys • Topography • Subdivisions • Construction Layout

117 N. Madriver St.
Bellefontaine OH 43311



Phone: (937) 593-7335
Fax: (937) 593-7444
surveys@lsminc.us

MILLER FAMILY PARTNERSHIP, PLL 113.133 ACRES

Lying in Virginia Military Surveys 9925, 9946, 10121 and 10951, Washington Township, Logan County, Ohio.

Being all of the Miller Family Partnership, PLL, original 100 acre tract as deeded and described in Official Record 261, Page 294 of the Logan County Records of Deeds and being more particularly described as follows:

Commencing on a $\frac{3}{4}$ inch iron rod found on the northeast corner of Section 7, Town 7, Range 9, on the west line of Virginia Military Survey 9925, 9946, 10121 and on the center-line of Township Road 94.

THENCE, with the east line of Section 7, the west line of Virginia Military Survey 9925, 9946, 10121 and the center-line of Township Road 94 (40 feet wide), S $20^{\circ}-14'-56''$ E, a distance of 422.50 feet to a boat spike found at the TRUE POINT OF BEGINNING.

THENCE, with the lines of the Kerry A. Buchenroth 164.734 acre tract (O.R. 1015, Pg. 782, Tract 2), the following three courses:

N $77^{\circ}-39'-39''$ E, a distance of 651.86 feet to a $\frac{5}{8}$ inch iron rod found, passing a $\frac{5}{8}$ inch iron rod found at 20.32 feet.

N $82^{\circ}-19'-51''$ E, a distance of 680.58 feet to a $\frac{5}{8}$ inch iron rod found.

S $86^{\circ}-50'-48''$ E, a distance of 785.62 feet to a $\frac{5}{8}$ inch iron rod found.

THENCE, with the west lines of the James G. Mast 93.33 acre tract (Vol. 301, Pg. 601) and the Mary E. Rostorfer original 100 acre tract (O.R. 990, Pg. 375, Tract V), S $08^{\circ}-56'-47''$ E, a distance of 2561.41 feet to a point on the south line of Virginia Military Survey 10951, passing a 1 inch iron pipe found at 329.86 feet and a stone with a chiseled "x" found at 2560.62 feet.

THENCE, with the south line of Virginia Military Survey 10951 and the north line of the Jerry P. Fry, Trustee, et al, 127.336 acre tract (O.R. 703, Pg. 28), S $81^{\circ}-14'-39''$ W, a distance of 1560.17 feet to a railroad spike found on the east line of Section 7, the west line of Virginia Military Survey 10951 and the center-line of Township Road 94, passing a $\frac{5}{8}$ inch iron rod found at 1540.70 feet.



Lee Surveying and Mapping Co., Inc.

Land Surveys • Topography • Subdivisions • Construction Layout

117 N. Madriver St.
Bellefontaine OH 43311



Phone: (937) 593-7335
Fax: (937) 593-7444
surveys@lsminc.us

THENCE, with the east line of Section 7, the west lines of Virginia Military Survey 10951 and 9925, 9946, 10121 and the center-line of Township Road 94, N 20°-14'-56"W, a distance of 2750.83 feet to the point of beginning.

Containing 113.133 acres, of which 1.263 acres are within the highway right-of-way.

Property is subject to any and all previous easements and rights-of-way of record.

The basis for bearings is east line of Section 7, the west line of Virginia Military Survey 9925, 9946, 101241 and the center-line of Township Road 94, being N 20°-14'-56"W, and all other bearings are from angles and distances measured in a field survey by Lee Surveying and Mapping Co., Inc. on October 13, 2011.



ORIGINAL STAMP IN GREEN

Description prepared by:

A handwritten signature in black ink that reads 'William K. Bruce'.

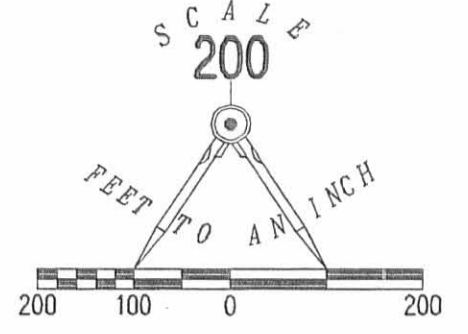
William K. Bruce
Professional Surveyor 7437
October 17, 2011

52211011



REC'D 10-21-11 smj OK

KERRY A. BUCHENROTH
164.734 ACRES
O.R. 1015, PG. 782
TRACT 2



JAMES G. MAST
93.33 ACRES
VOL. 301, PG. 601

- LEGEND:
- ⊗ RAILROAD SPIKE FOUND
 - ⊙ BOAT SPIKE FOUND
 - ⊕ 3/4 INCH IRON ROD FOUND
 - 5/8 INCH IRON ROD FOUND
 - ⊙ 1 INCH IRON PIPE FOUND
 - ⊠ STONE WITH CHISELED "X" FOUND

113.133 ACRES

OF WHICH 1.263 ACRES ARE WITHIN
THE HIGHWAY RIGHT-OF-WAY

MARY E. ROSTORFER
ORIGINAL 100 ACRES
O.R. 990, PG. 375
TRACT V

VIRGINIA MILITARY SURVEY 9925, 9946, 10121
VIRGINIA MILITARY SURVEY 10951

TOWNSHIP ROAD 94 (40')

VIRGINIA MILITARY SURVEY 10951
VIRGINIA MILITARY SURVEY 12052

JERRY P. FRY, TRUSTEE, ETAL
127.336 ACRES
O.R. 703, PG. 28

RETRACEMENT SURVEY OF THE
MILLER FAMILY PARTNERSHIP, PLL
ORIGINAL 100 ACRE TRACT
OFFICIAL RECORD 261, PAGE 294
VIRGINIA MILITARY SURVEYS
9925, 9946, 10121 AND 10951
WASHINGTON TOWNSHIP
LOGAN COUNTY, OHIO

SURVEYED BY:

William K. Bruce
WILLIAM K. BRUCE
PROFESSIONAL SURVEYOR 7437
OCTOBER 14, 2011

COPYRIGHT 2011 BY:
LEE SURVEYING & MAPPING CO., INC.
117 North Madriver Street
BELLEFONTAIN, OHIO 43111
(937) 593-7335
WWW.LSMINC.US
surveys@lsminc.us



KSS D1011 52211011 L-5221-2

2 WORKING DAYS
BEFORE YOU DIG
CALL TOLL FREE 800-362-2764
OHIO UTILITIES PROTECTION SERVICE

IMPROVED MAP
3654 4P