

REC'D 11-16-95 SWYOR GCH



# Lee Surveying and Mapping Co.



Farm Surveys • Lot Surveys • Topography • Subdivisions • Construction Layout

143 EAST COLUMBUS AVENUE  
BELLEFONTAINE, OHIO 43311

(513) 593-7335

JEFFREY L. LEE, P.S.

## MICHAEL J. STONE 0.009 ACRE

Lying in Virginia Military Survey 9925-9946-10121, Washington Township, Logan County, Ohio.

Being part of Lot 13 of The Waterbury Summer Resort (Plat Cabinet A, Slide 224) and part of Lot 13-A of the Lakelands of Indian Lake as deeded and described in Official Record 221, Page 180, Tracts II and III, and being more particularly described as follows:

Beginning at a 1 inch metal pipe found on the north right-of-way of Township Road 269 (Park Drive, 25.00 feet wide) at the southwest corner of Lot 13.

THENCE, with the west line of Lot 13 and the west line of Lot 13-A, N 23°-26'-45" W, a distance of 87.32 feet to a 3/4 inch iron rod set, passing a 1 inch metal pipe found at the northwest corner of Lot 13 at 52.96 feet.

THENCE, S 29°-18'-48" E, a distance of 34.67 feet to a 3/4 inch iron rod set on the south line of Lot 13-A.

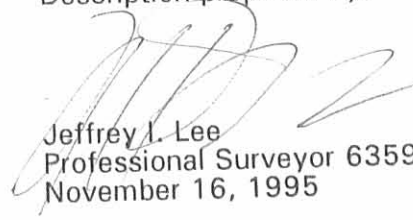
THENCE, S 29°-47'-33" E, a distance of 53.39 feet to a 3/4 inch iron rod set on the south line of Lot 13.

THENCE, with the south line of Lot 13 and the north right-of-way of Township Road 269, S 67°-59'-16" W, a distance of 9.45 feet to the point of beginning.

Containing 413 square feet or 0.009 acre of which 352 square feet is in Lot 13 and 61 square feet is in Lot 13-A.

The basis for bearings is the line between Lots 12 and 13 of the Waterbury Summer Resort being N 23°-26'-45" W, and all other bearings are from angles and distances measured in a field survey by Lee Surveying and Mapping Company on November 14, 1995.

Description prepared by:

  
Jeffrey L. Lee  
Professional Surveyor 6359  
November 16, 1995

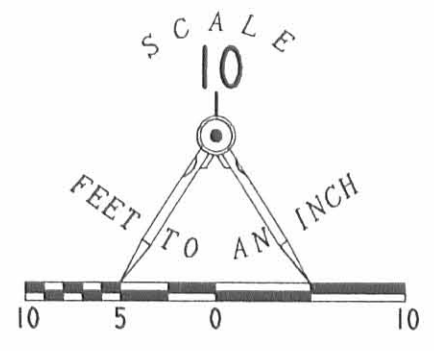
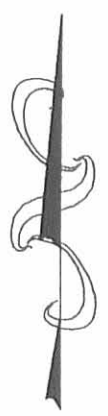
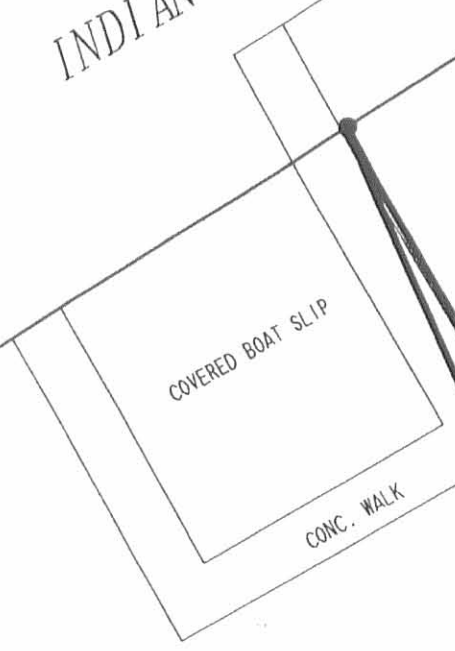


INDEXED ON MAP  
4255 1D

REV'D 11-7-95 JC ✓

INDIAN LAKE

CONC. SEA WALL

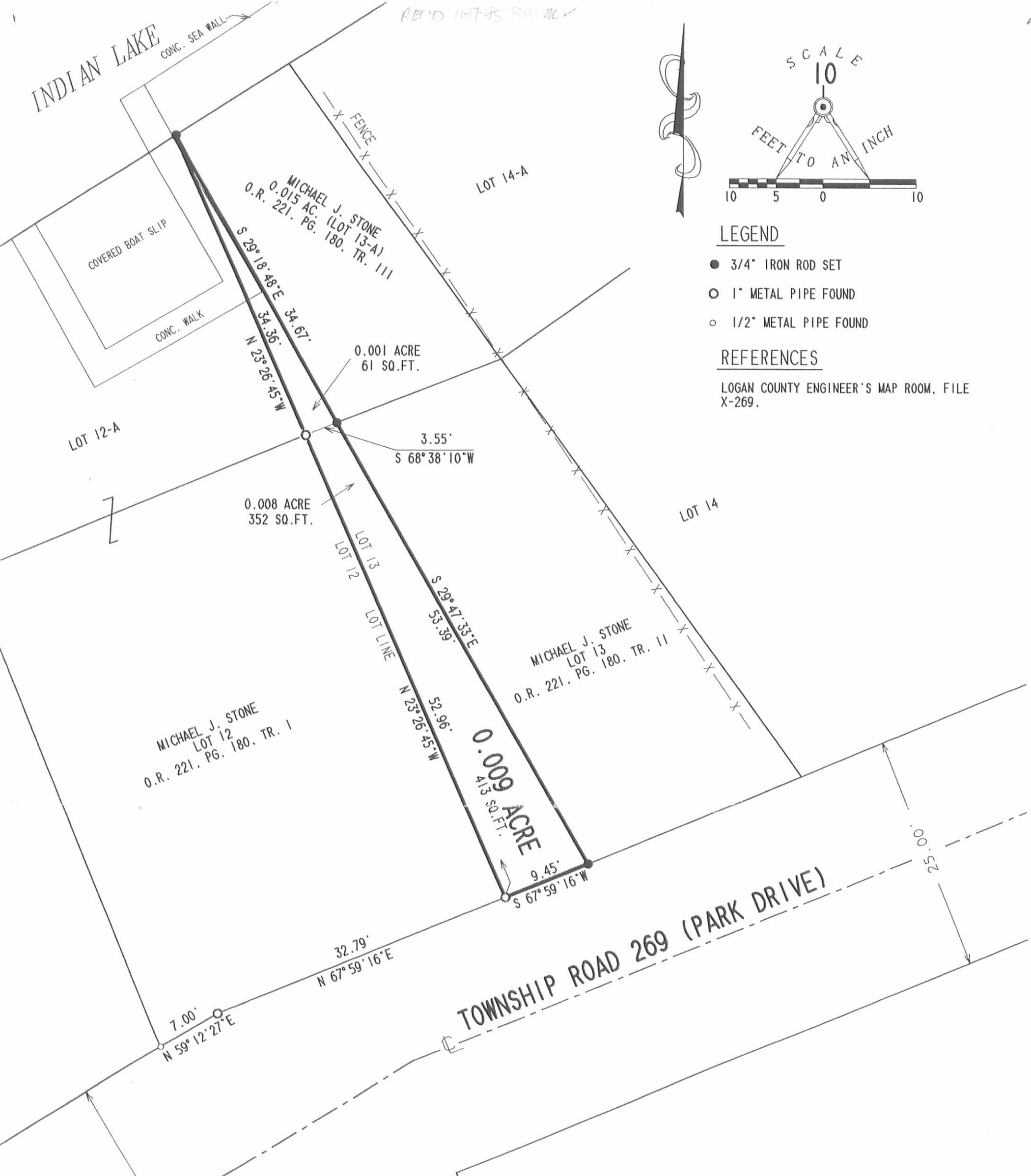


LEGEND

- 3/4" IRON ROD SET
- 1" METAL PIPE FOUND
- 1/2" METAL PIPE FOUND

REFERENCES

LOGAN COUNTY ENGINEER'S MAP ROOM, FILE X-269.



SURVEY OF 0.009 ACRE OUT OF THE  
 MICHAEL J. STONE LOTS 13 AND 13-A IN THE  
 WATERBURY SUMMER RESORT  
 PLAT CABINET A. SLIDE 224  
 OFFICIAL RECORD 221, PAGE 180, TRACTS II & III  
 V.M.S. 9925-9946-10121  
 WASHINGTON TOWNSHIP  
 LOGAN COUNTY, OHIO

SURVEYED BY:  
  
 JEFFREY I. LEE  
 PROFESSIONAL SURVEYOR 6359  
 NOVEMBER 8, 1995  
 REV. NOVEMBER 17, 1995  
 COPYRIGHT 1995 BY:  
 LEE SURVEYING & MAPPING CO.  
 143 East Columbus Avenue  
 BELLEFONTAINE, OHIO 43311  
 (513) 593-7335



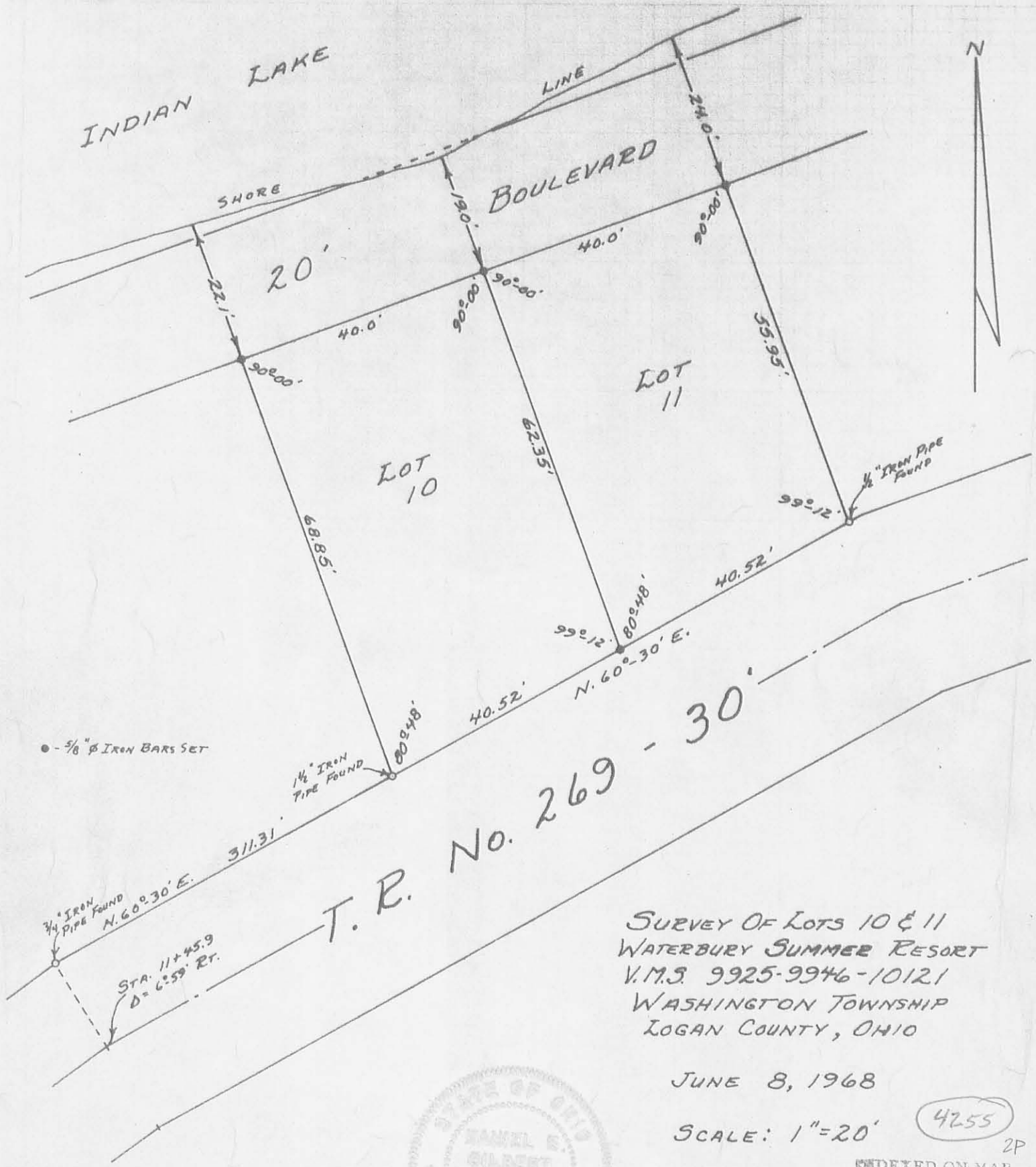
ORIGINAL STAMP IN GREEN

D 268 MSTONE

L-1311-3

2 WORKING DAYS  
**BEFORE YOU DIG**  
 CALL TOLL FREE **800-362-2764**  
 OHIO UTILITIES PROTECTION SERVICE.

4255 1P



● - 3/8" φ IRON BARS SET

T. R. No. 269 - 30'

SURVEY OF LOTS 10 & 11  
 WATERBURY SUMMER RESORT  
 V.M.S. 9925-9946-10121  
 WASHINGTON TOWNSHIP  
 LOGAN COUNTY, OHIO

JUNE 8, 1968

SCALE: 1"=20'

4255

INDEXED ON MAP

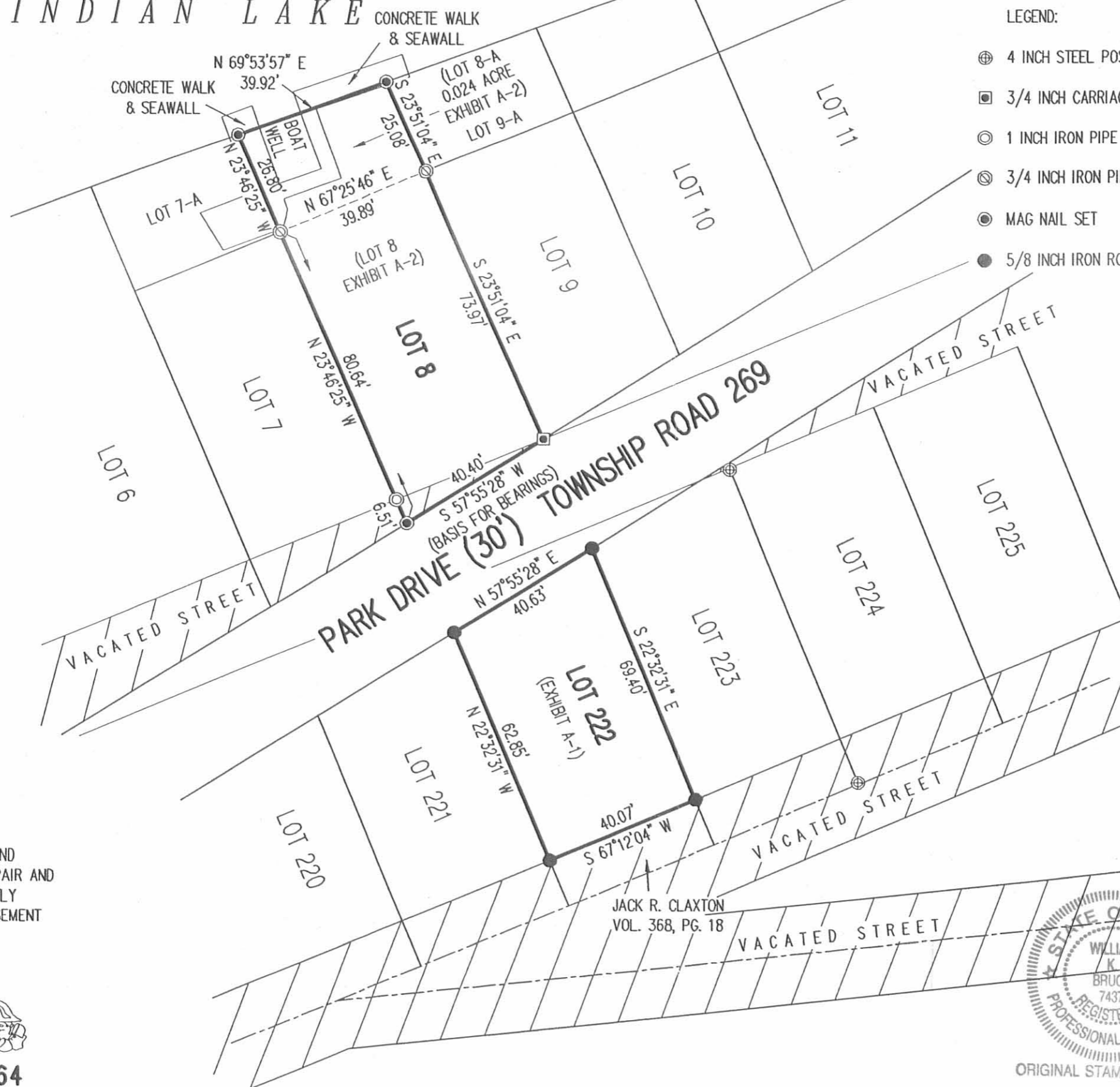
REFERENCES:  
 WATERBURY SUMMER RESORT,  
 PLAT BOOK C VOL. 3 PAGE 1-2.  
 LOGAN COUNTY ENGINEERS  
 FILE J-1 & X-269



SURVEYED AND PLATTED BY:  
 DANIEL E. GILBERT, P.S.  
 REG. SUR. No. 5402  
 428 N. MADRIVER ST.  
 BELLEFONTAINE, OHIO

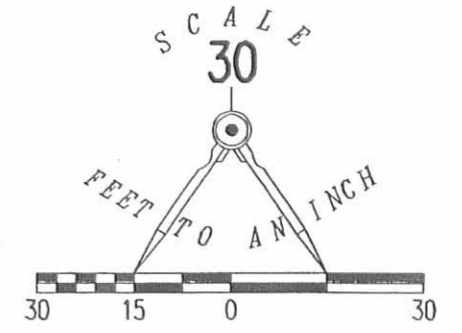
REC'D 4-30-08 SMY OR

# INDIAN LAKE



### LEGEND:

- ⊕ 4 INCH STEEL POST FOUND
- ⊞ 3/4 INCH CARRIAGE BOLT FOUND
- ⊙ 1 INCH IRON PIPE FOUND
- ⊚ 3/4 INCH IRON PIPE FOUND
- MAG NAIL SET
- 5/8 INCH IRON ROD SET

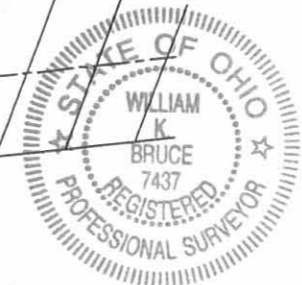


RETRACEMENT SURVEY OF THE  
 RICHARD J. EVERSMAN AND  
 CHERYL L. EVERSMAN  
 LOT 222 AND LOT 8  
 WATERBURY SUMMER RESORT  
 PLAT CABINET A, SLIDE 224  
 AND LOT 8-A (0.024 ACRE TRACT)  
 INDIAN LAKE RESERVOIR LANDS  
 WATERBURY SUMMER RESORT  
 PLAT CABINET A, SLIDES 581-587  
 OFFICIAL RECORD 772, PAGE 145  
 EXHIBIT A-1 AND EXHIBIT A-2  
 VIRGINIA MILITARY SURVEY 9925  
 WASHINGTON TOWNSHIP  
 LOGAN COUNTY, OHIO

### NOTE:

LOT 222 IS SUBJECT TO A PERMANENT AND ASSIGNABLE EASEMENT TO MAINTAIN, REPAIR AND REPLACE CERTAIN WATER LINES CURRENTLY LOCATED ON SAID PREMISES AND AN EASEMENT FOR ACCESS TO SAID WATER LINE.

JACK R. CLAXTON  
 VOL. 368, PG. 18



SURVEYED BY:

*William K. Bruce*  
 WILLIAM K. BRUCE  
 PROFESSIONAL SURVEYOR 7437  
 APRIL 28, 2008

COPYRIGHT 2008 BY:  
**LEE SURVEYING & MAPPING CO., INC.**  
 117 North Madriver Street  
 BELLEFONTAINE, OHIO 43311  
 (937) 593-7335  
 surveys@lsminc.us  
 KSS D0408 4611038 L-4611-3

2 WORKING DAYS  
**BEFORE YOU DIG**  
 CALL TOLL FREE **800-362-2764**  
 OHIO UTILITIES PROTECTION SERVICE.

INDEXED ON MAP  
 4255 3D

ORIGINAL STAMP IN GREEN