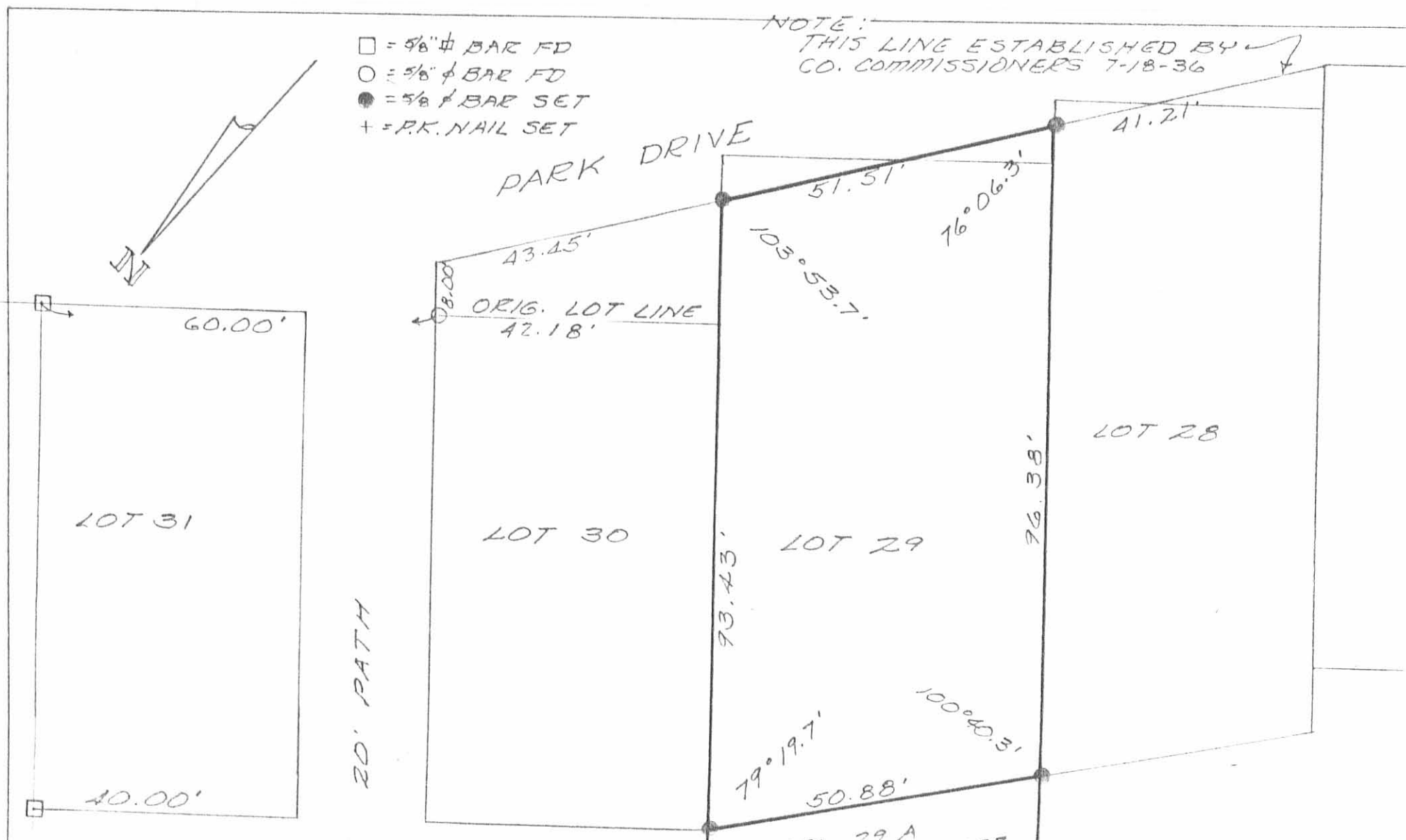


- = 5/8" # BAR FD
- = 5/8" # BAR FD
- = 5/8" # BAR SET
- + = P.K. NAIL SET

NOTE:  
THIS LINE ESTABLISHED BY  
CO. COMMISSIONERS 7-18-36



SURVEY OF LOT 29 AND PAR 29-A  
WATERBURY ALLOTMENT,  
VIRGINIA MILITARY SURVEY 9925,  
WASHINGTON TOWNSHIP, LOGAN  
COUNTY, OHIO For BARBARA McLAUGHLIN  
JUNE, 1983  
SCALE: 1" = 20'

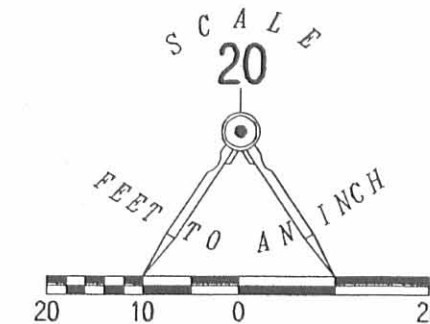
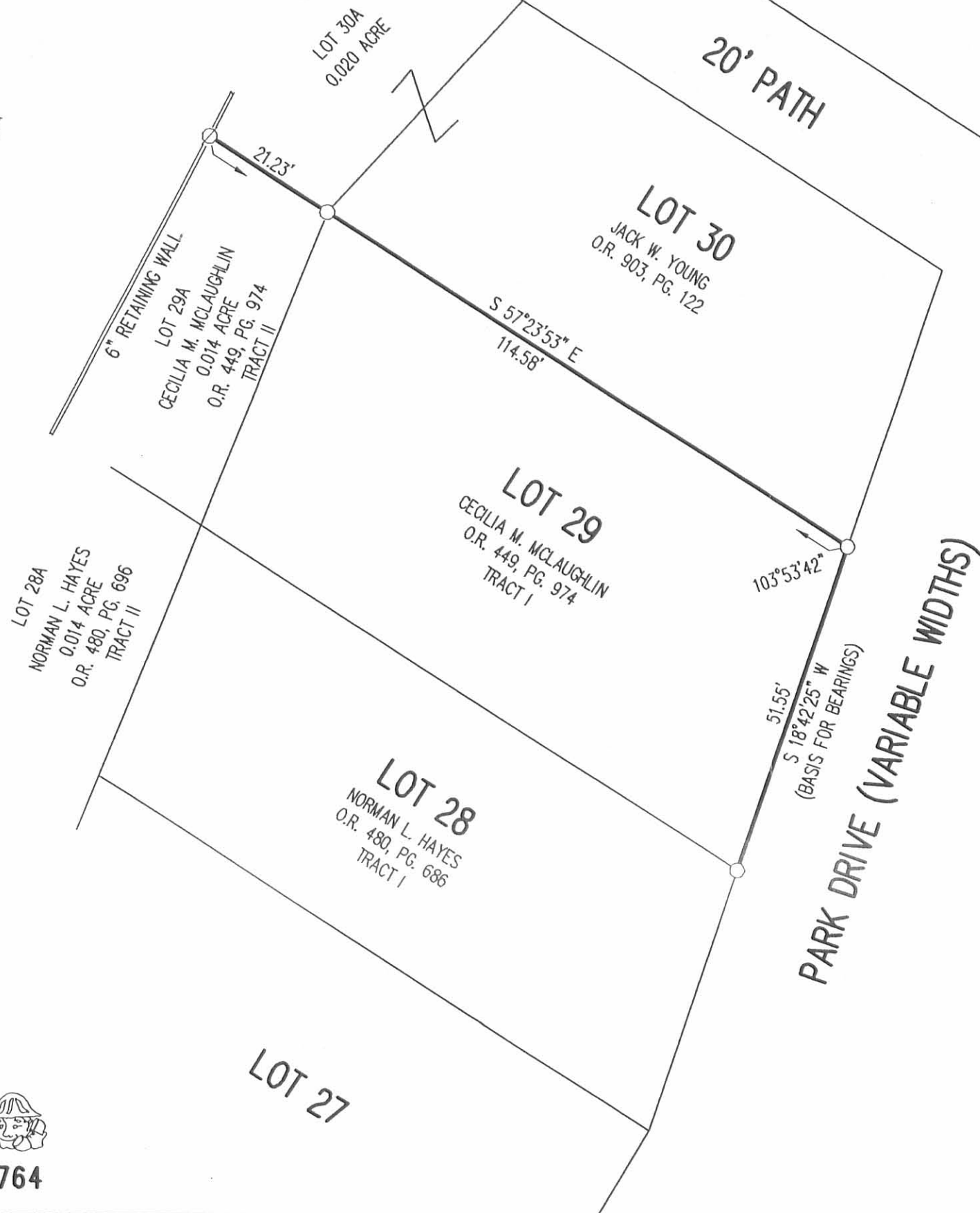
6855 1P  
INDEXED ON MAP



Leslie H. Geeslin  
LESLIE H. GEESLIN  
RUSHSVYLVANIA, OHIO

- REC'D 8-21-08 SMY OK

INDIAN  
LAKE



LEGEND:

- ⊙ P.K. NAIL FOUND
- 5/8 INCH IRON ROD FOUND

RETRACEMENT SURVEY OF THE  
 NORTHERLY AND EASTERLY LINES OF  
 LOT 29  
 WATERBURY SUMMER RESORT  
 PLAT CABINET A, SLIDE 224  
 LOT 29A  
 INDIAN LAKE RESERVOIR LANDS  
 WATERBURY SUMMER RESORT  
 PLAT CABINET A, SLIDES 581-587  
 VIRGINIA MILITARY SURVEY 9925  
 WASHINGTON TOWNSHIP  
 LOGAN COUNTY, OHIO

SURVEYED BY:



ORIGINAL STAMP IN GREEN

*William K. Bruce*  
 WILLIAM K. BRUCE  
 PROFESSIONAL SURVEYOR 7437  
 AUGUST 19, 2008

COPYRIGHT 2008 BY:  
**LEE SURVEYING & MAPPING CO., INC.**  
 117 North Madriver Street  
 BELLEFONTAINE, OHIO 43311  
 (937) 593-7335  
 surveys@lsmcinc.us

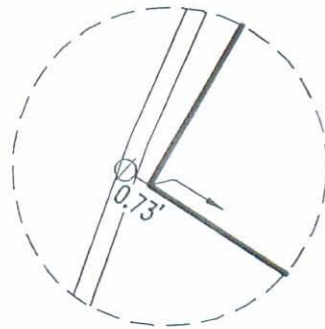
KSS D0808 4687088 L-4687-3

2 WORKING DAYS  
**BEFORE YOU DIG**  
 CALL TOLL FREE **800-362-2764**  
 OHIO UTILITIES PROTECTION SERVICE.

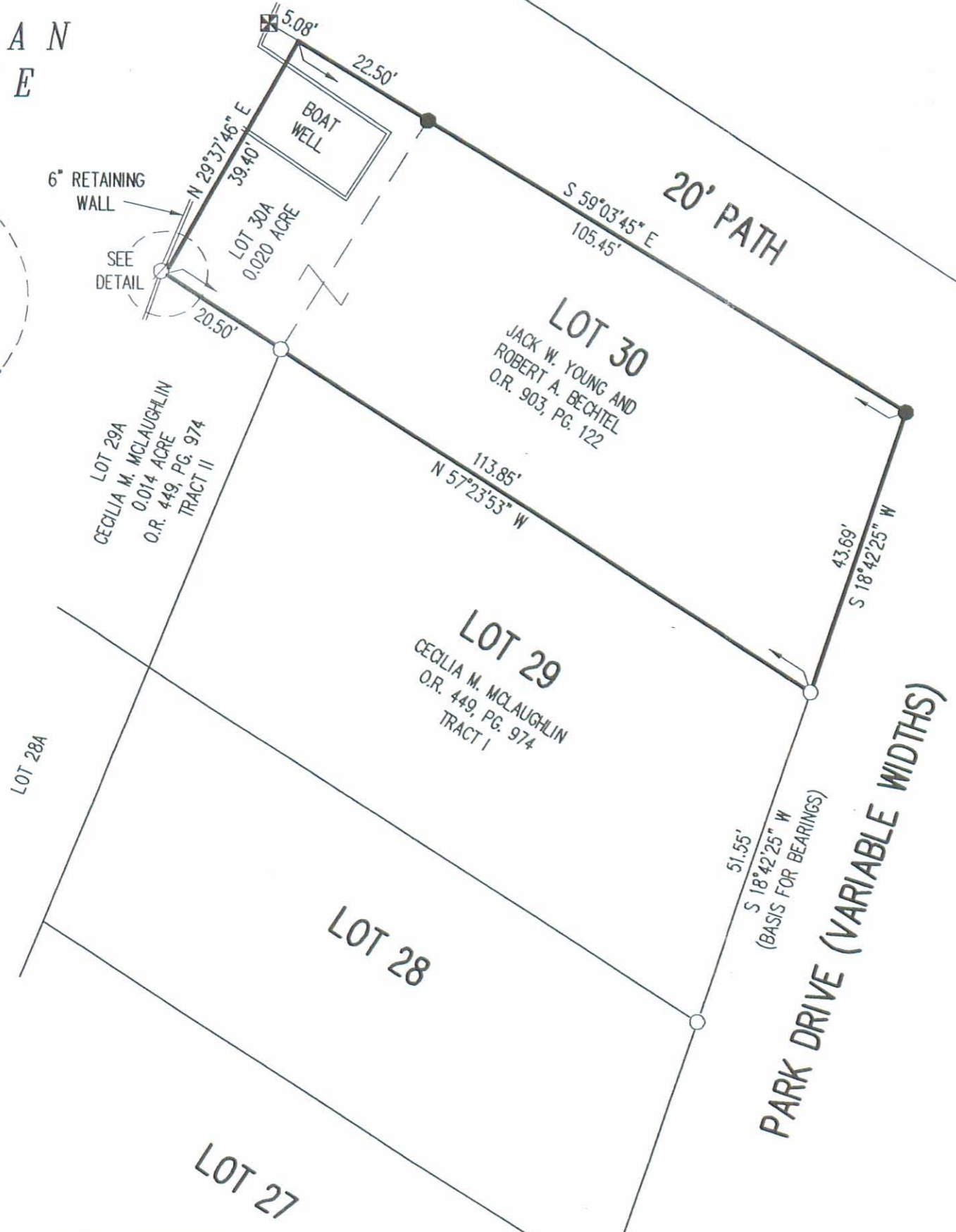
INDEXED ON MAP  
 6855 2P

REV'D 9-8-08 SUM BK

# INDIAN LAKE

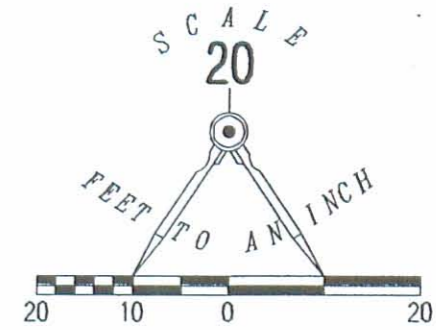


**DETAIL**  
NOT TO SCALE



**LEGEND:**

- ⊙ P.K. NAIL FOUND
- 5/8 INCH IRON ROD FOUND
- 5/8 INCH IRON ROD SET
- ⊠ CHISLED "X" SET ON SEA WALL



RETRACEMENT SURVEY OF THE  
 JACK W. YOUNG AND  
 ROBERT A. BECHTEL  
 LOT 30  
 WATERBURY SUMMER RESORT  
 PLAT CABINET A, SLIDE 224  
 AND LOT 30A  
 INDIAN LAKE RESERVOIR LANDS  
 WATERBURY SUMMER RESORT  
 PLAT CABINET A, SLIDES 581-587  
 OFFICIAL RECORD 903, PAGE 122  
 VIRGINIA MILITARY SURVEY 9925  
 WASHINGTON TOWNSHIP  
 LOGAN COUNTY, OHIO

SURVEYED BY:

*William K. Bruce*  
 WILLIAM K. BRUCE  
 PROFESSIONAL SURVEYOR 7437  
 SEPTEMBER 3, 2008



ORIGINAL STAMP IN GREEN

COPYRIGHT 2008 BY:  
**LEE SURVEYING & MAPPING CO., INC.**  
 117 North Madriver Street  
 BELLEFONTAINE, OHIO 43311  
 (937) 593-7335  
 surveys@lsminc.us  
 KSS D0908 4698088 L-4698-3

2 WORKING DAYS  
**BEFORE YOU DIG**  
 CALL TOLL FREE **800-362-2764**  
 OHIO UTILITIES PROTECTION SERVICE.

INDEXED ON MAP  
 6855 3P



**LEGEND:**

- ⊗ P.K. NAIL FOUND
- 5/8 INCH IRON ROD FOUND
- ⊕ MINI MAG NAIL SET
- ⊙ WELL
- R/W = RIGHT-OF-WAY

**DEED & SURVEY REFERENCES:**

O.R. 449, PG. 974  
 O.R. 1245, PG. 705  
 WATERBURY SUMMER RESORT  
 PLAT CABINET A, SLIDE 224  
 INDIAN LAKE RESERVOIR LANDS  
 WATERBURY SUMMER RESORT  
 PLAT CABINET A, SLIDES 581-587  
 LOGAN COUNTY ENGINEER'S MAP ROOM  
 FILES: 1253 AND 6855

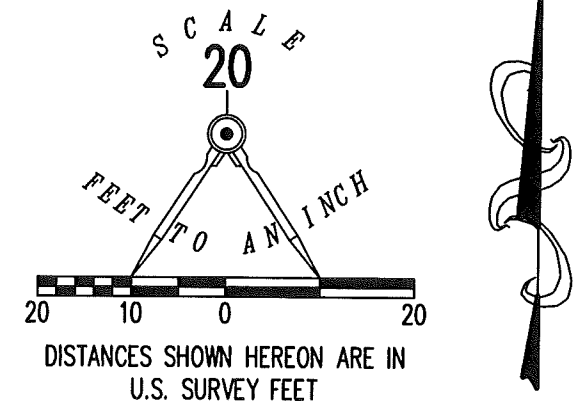
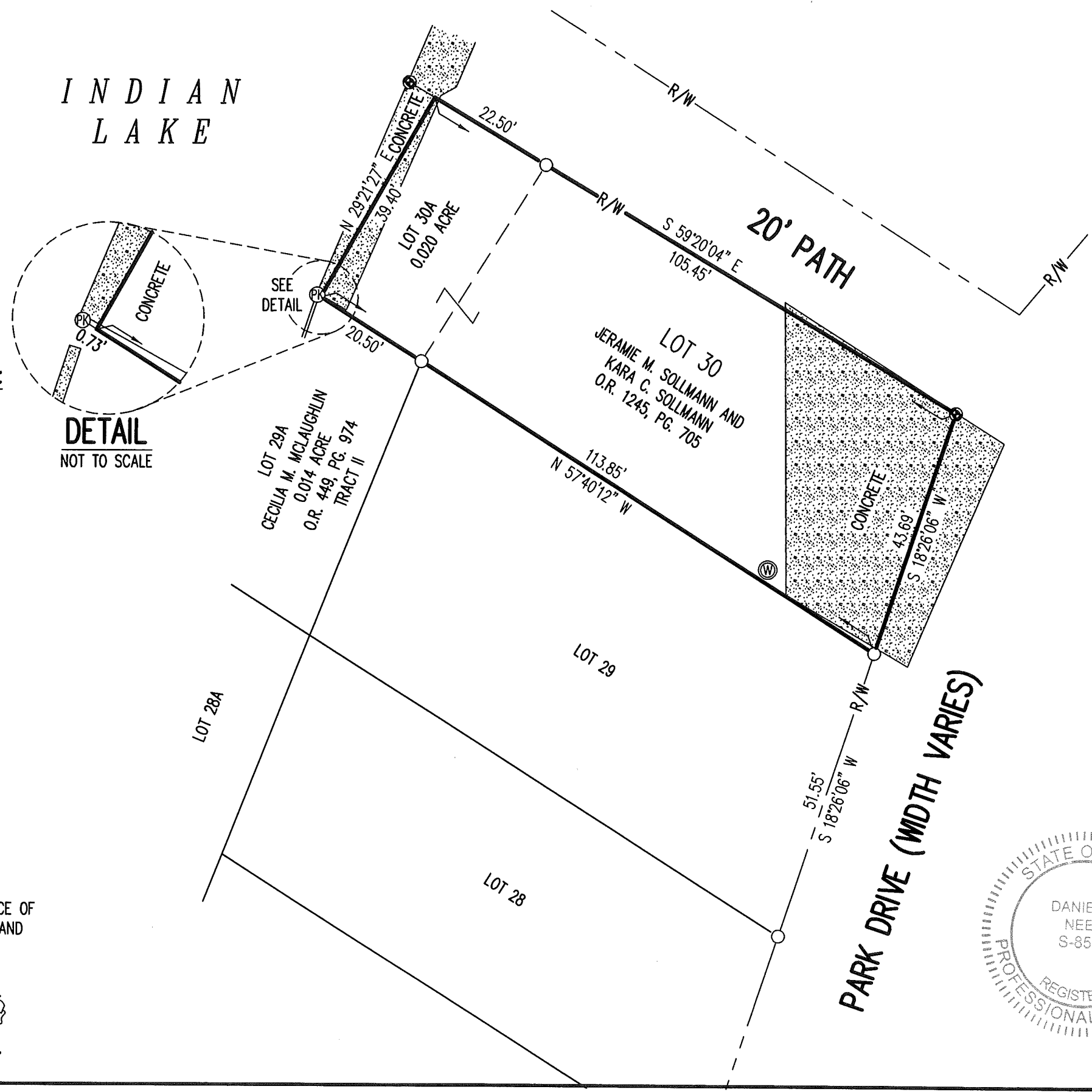
**BASIS FOR BEARINGS:**

BEARINGS AND DISTANCES, SHOWN HEREON,  
 ARE DERIVED FROM GPS OBSERVATIONS  
 BASED ON GRID NORTH, OHIO STATE PLANE  
 COORDINATE SYSTEM, NORTH ZONE, NAD83  
 (2011, EPOCH 2010), WITH THE WESTERLY  
 RIGHT-OF-WAY OF PARK DRIVE HAVING A  
 BEARING OF S 18°26'06" W.

THIS SURVEY WAS PREPARED IN THE ABSENCE OF  
 A COMPLETE AND ACCURATE TITLE SEARCH AND  
 DOES NOT GUARANTEE TITLE.



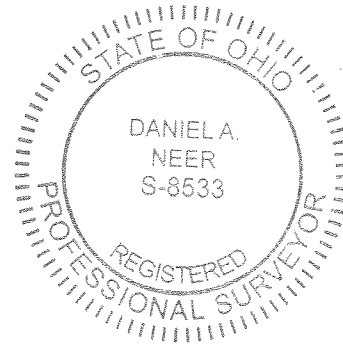
CALL TOLL FREE **800-362-2764**



**RETRACEMENT SURVEY OF THE  
 JERAMIE M. SOLLMANN AND  
 KARA C. SOLLMANN  
 LOT 30  
 WATERBURY SUMMER RESORT  
 PLAT CABINET A, SLIDE 224  
 AND LOT 30A  
 INDIAN LAKE RESERVOIR LANDS  
 WATERBURY SUMMER RESORT  
 PLAT CABINET A, SLIDES 581-587  
 OFFICIAL RECORD 1245, PAGE 705  
 VIRGINIA MILITARY SURVEY 9925  
 WASHINGTON TOWNSHIP  
 LOGAN COUNTY, OHIO**

SURVEYED BY:

*Daniel A. Neer*  
 DANIEL A. NEER  
 PROFESSIONAL SURVEYOR NO. 8533  
 APRIL 10, 2019



COPYRIGHT 2019 BY:  
**LEE SURVEYING & MAPPING CO.**  
 117 North Madriver Street  
 BELLEFONTAINE, OHIO 43311  
 (937) 593-7335  
 WWW.LEE-SURVEYING.COM  
 surveys@lee-surveying.com  
 KSS D0419 46980419 L-4698-3

INDEXED ON MAP  
 6855