

Received 1-10-90



Lee Surveying and Mapping Co.



Farm Surveys • Lot Surveys • Topography • Subdivisions • Construction Layout

143 EAST COLUMBUS AVENUE
BELLEFONTAINE, OHIO 43311

(513) 593-7335
(513) 593-5780

CLAYTON M. LEE, P.S.
JEFFREY I. LEE, P.S.

WESTFALL 10.853 ACRES

Lying in V.M.S. 4859, Zane Township, Logan County, Ohio.

Being off the southwest corner of that 99.25 acre tract in the name of John A. Westfall as deeded and described in Volume 353, Page 975 of the Logan County Records of Deeds and being more particularly described as follows:

Beginning at a drill hole set in the top of a corner stone found at an angle in the center-line of Township Road 160, marking the southwest corner of said 99.25 acre tract (Station 33+97.5, County Engineer's Field Book 513, Page 42).

THENCE, with the center-line of Township Road 160, N 31°-32' W, a distance of 923.89 feet to a railroad spike (set).

THENCE, N 58°-26'-50" E, a distance of 506.79 feet to a 1/2" iron rod (set), passing through a 1/2" iron rod set at 20.0 feet.

THENCE, S 33°-49'-25" E, a distance of 878.57 feet to a 1/2" iron rod set on the south line of grantor's said 99.25 acre tract.

THENCE, with said south line, S 53°-35'-40" W, a distance of 543.87 feet to the point of beginning.

Containing 10.853 acres.

This description prepared from an actual field survey.

Basis for bearings: Center-line of Township Road 160 = N 31°-32' W.

Prepared by:

Clayton M. Lee

Clayton M. Lee

Registered Professional Surveyor No. 6181

January 9, 1990



ORIGINAL STAMP IN GREEN

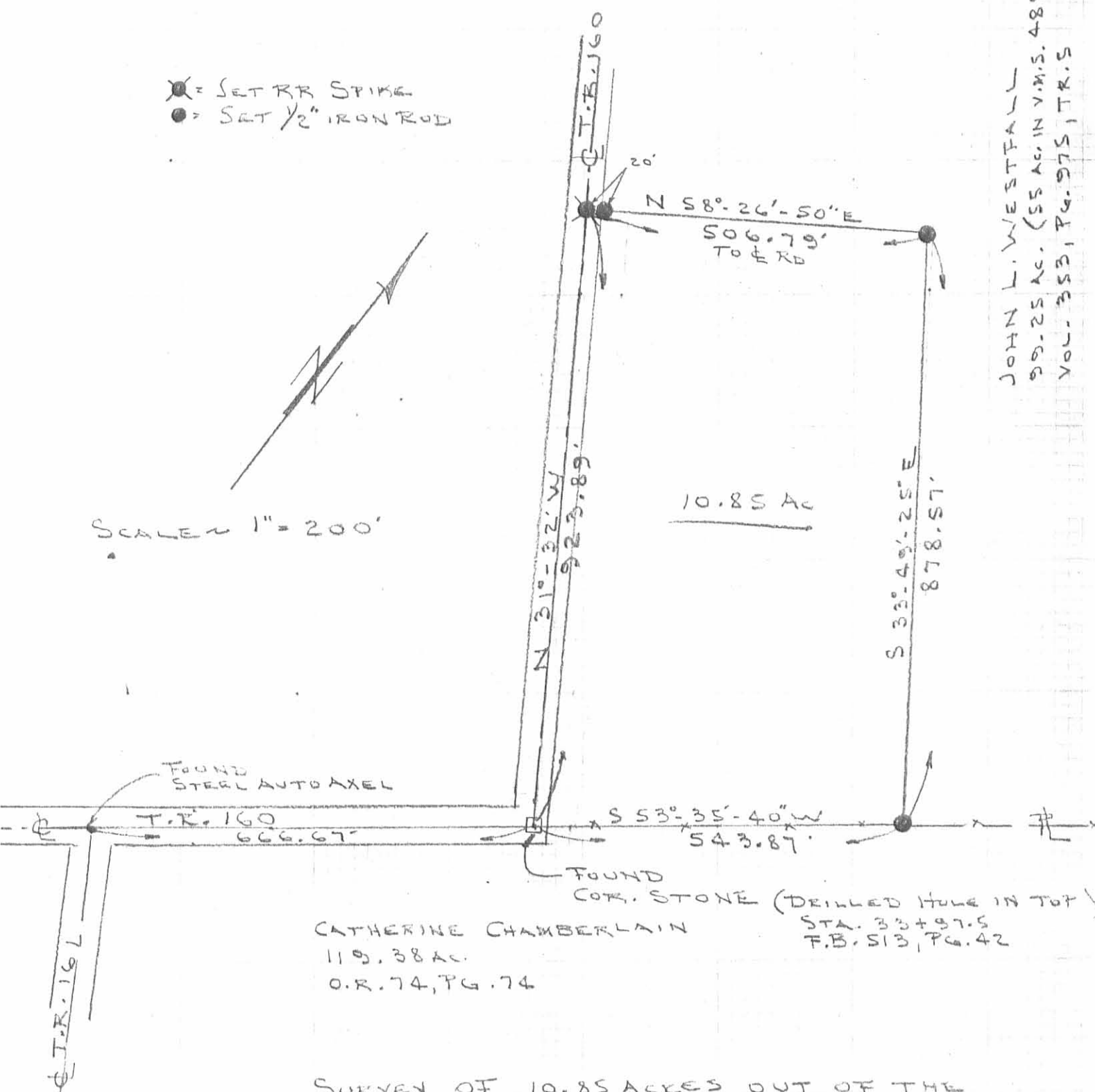
INDEXED ON MAP
7979 1D

L-1778

- ⊗ = SET RR SPIKE
- = SET 1/2" IRON ROD

JOHN L. WESTFALL
 99.25 AC. (55 AC. IN V.M.S. 4859)
 VOL. 353, PG. 975, T.R. 5


SCALE 1" = 200'



CATHERINE CHAMBERLAIN
 119.38 AC.
 O.R. 74, PG. 74

FOUND COR. STONE (DRILLED HOLE IN TOP)
 STA. 33+97.5
 F.B. 513, PG. 42

SURVEY OF 10.85 ACRES OUT OF THE
 WESTFALL LANDS (VOL. 353, PG. 975)
 V.M.S. 4859, ZANE TOWNSHIP,
 LOGAN COUNTY, OHIO

By: 
 JEFFREY I. LEE
 REG. SURVEYOR 6359
 JAN. 6, 1990



ORIGINAL STAMP IN GREEN

INDEXED ON MAP
 7979 IP

L-1778-4



Lee Surveying and Mapping Co., Inc.

Farm Surveys • Lot Surveys • Topography • Subdivisions • Construction Layout

117 NORTH MADRIVER STREET
BELLEFONTAINE, OHIO 43311

(937) 593-7335
FAX (937) 593-7444

WESTFALL 77.593 ACRES

Lying in Virginia Military Surveys 3688 AND 4859, Zane Township, Logan County, Ohio.

Being out of the John L. Westfall and Alice Anne Westfall original 4.72 acre, and 99.25 acre tract as deeded and described in Volume 353, Page 975, Tracts I, and V of the Logan County Records of Deeds and being more particularly described as follows:

Beginning at an axle on end found at the intersection of center-lines of Township Road 161 and Township Road 160.

THENCE, with the center-line of Township Road 160 (60 feet wide), N 53°-50'-37" E, a distance of 666.67 feet to a drill hole on the top of a corner stone found at an angle in the center-line of Township Road 160.

THENCE, with the center-line of Township Road 160, N 31°-32'-00" W, a distance of 2201.30 feet to a railroad spike set at the TRUE POINT OF BEGINNING.

THENCE, with the center-line of Township Road 160, N 31°-32'-00" W, a distance of 60.01 feet to a railroad spike set.

THENCE, with the lines of the Oliver Jesse Chamberlain original 64 acre and 32 poles tract (O.R. 248, Pg. 372), the following two courses:

N 57°-25'-58" E, a distance of 1070.39 feet to a 5/8 inch iron rod set, passing a 5/8 inch iron rod set at 30.00 feet.

S 32°-13'-18" E, a distance of 546.06 feet to a 5/8 inch iron rod set.

THENCE, with the south line of the said 64 acre and 32 pole tract and the south line of the William L. Hempy original 92.50 acre tract (O.R. 135, Pg. 251), N 57°-26'-14" E, a distance of 1273.58 feet to a 5/8 inch iron rod set.

THENCE, with the westerly line of the Howard C. Lininger original 71 acre tract (Vol. 322, Pg. 80), S 30°-47'-03" E, a distance of 1554.08 feet to a stone found.

THENCE, with the northerly lines of the John L. Westfall original 2.44 acre tract (Vol. 353, Pg. 975, Tr. III) and original 100.72 acre tract (Vol. 353, Pg. 975, Tr. II), S 53°-28'-26" W, a distance of 768.37 feet to an angle iron post found.

THENCE, with the northerly line of the Henry Farms original 152.52 acre tract (O.R. 216, Pg. 397), S 53°-28'-26" W, a distance of 1026.60 feet to a 1/2 inch iron rod found.

THENCE, with the lines of the Earl F. Schrack 10.853 acre tract (O.R. 302, Pg. 773) the following two courses:

N 33°-49'-01" W, a distance of 877.36 feet to a 1/2 inch iron rod found.

S 58°-30'-12" W, a distance of 81.86 feet to a 5/8 inch iron rod set.

THENCE, N 29°-24'-30" W, a distance of 149.29 feet to a 5/8 inch iron rod set.

THENCE, N 54°-08'-21" W, a distance of 308.07 feet to a 5/8 inch iron rod set.

THENCE, N 35°-13'-13" W, a distance of 106.77 feet to a 5/8 inch iron rod set.

7979 20-1

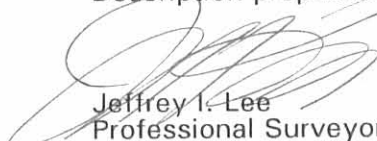
THENCE, N 3°-03'-03" E, a distance of 52.65 feet to a 5/8 inch iron rod set.
THENCE, N 34°-50'-45" E, a distance of 123.90 feet to a 5/8 inch iron rod set.
THENCE, N 16°-04'-08" E, a distance of 125.48 feet to a 5/8 inch iron rod set.
THENCE, N 27°-09'-56" W, a distance of 151.20 feet to a 5/8 inch iron rod set.
THENCE, N 44°-49'-14" W, a distance of 119.83 feet to a 5/8 inch iron rod set.
THENCE, N 55°-50'-58" W, a distance of 208.99 feet to a 5/8 inch iron rod set.
THENCE, N 60°-42'-58" W, a distance of 124.29 feet to a 5/8 inch iron rod set.

THENCE, S 57°-25'-58" W, a distance of 378.55 feet to the point of beginning, passing a 5/8 inch iron rod set at 348.55 feet.

Containing 77.593 acres, of which 31.660 acres are in Virginia Military Survey 4859 with 0.041 acre within the right-of-way of Township Road 160 and 45.933 acres are in Virginia Military Survey 3688.

The basis for bearings is the center-line of Township Road 160, being N 31°-32'-00" W, and all other bearings are from angles and distances measured in a field survey of Lee Surveying and Mapping Co., Inc. on December 8, 1997 and January 21, 1998.

Description prepared by:

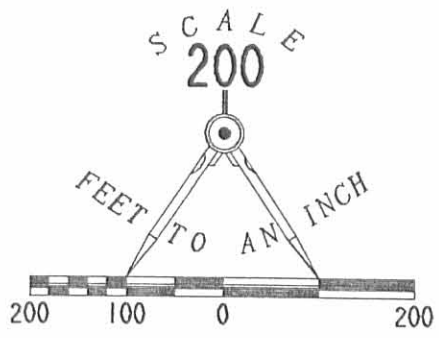

Jeffrey I. Lee
Professional Surveyor 6359
January 21, 1998



L-1778

ORIGINAL STAMP IN GREEN

7979 202



REFERENCES

LOGAN COUNTY ENGINEERS FILES:
 FIELD BOOK 502, PAGE 137
 FIELD BOOK 513, PAGE 39-44
 X-160
 X-161
 R-7979
 R-7906
 R-4107
 R-1085

OLIVER JESSE CHAMBERLIN
 ORIG. 64. ACRES AND 32 POLES
 O.R. 248, PG. 372

WILLIAM L. HEMPY
 ORIG. 92.50 ACRE
 O.R. 135 PG. 251

HOWARD C. LININGER
 ORIG. 71.0 ACRE
 VOL. 322, PG. 80

LEGEND

- 5/8" IRON ROD SET
- ⊙ RAIL ROAD SPIKE SET
- 1/2" IRON ROD FOUND
- ⊠ DRILL HOLE IN STONE FOUND
- ANGLE IRON POST FOUND
- ⊕ AXLE ON END FOUND



SURVEY OF 77.593 ACRES OUT OF THE
 JOHN L. WESTFALL AND ALICE ANNE WESTFALL
 ORIGINAL 4.72 ACRE AND 99.25 ACRE TRACTS
 VOLUME 353, PAGE 975 TRACTS I AND V
 VIRGINIA MILITARY SURVEYS 4859, AND 3688
 ZANE TOWNSHIP, LOGAN COUNTY, OHIO



SURVEYED BY:

 JEFFREY I. LEE
 PROFESSIONAL SURVEYOR 6359
 JANUARY 21, 1998
 COPYRIGHT 1998 BY:
 LEE SURVEYING & MAPPING CO., INC.
 117 North Madriver Street
 BELLEFONTAINE, OHIO 43311
 (937) 593-7335

2 WORKING DAYS
BEFORE YOU DIG
 CALL TOLL FREE 800-362-2764
 OHIO UTILITIES PROTECTION SERVICE.

INDEXED ON MAP
 7979 IP

ORIGINAL STAMP IN GREEN

RECID 1-15-98 SWM OK ✓



Lee Surveying and Mapping Co., Inc.



Farm Surveys • Lot Surveys • Topography • Subdivisions • Construction Layout

117 NORTH MADRIVER STREET
BELLEFONTAINE, OHIO 43311

(937) 593-7335
FAX (937) 593-7444

WESTFALL TRACT A 2.134 ACRES

Lying in Virginia Military Survey 4859, Zane Township, Logan County, Ohio.

Being out of the John L. Westfall and Alice Anne Westfall original 99.25 acre tract as deeded and described in Volume 353, Page 975, Tract V, of the Logan County Records of Deeds and being more particularly described as follows:

Beginning at an axle on end found at the intersection of center-lines of Township Road 161 and Township Road 160.

THENCE, with the center-line of Township Road 160 (60 feet wide), N 53°-50'-37" E, a distance of 666.67 feet to a drill hole on the top of a corner stone found at an angle in the center-line of Township Road 160.

THENCE, with the center-line of Township Road 160, N 31°-32'-00" W, a distance of 923.89 feet to a railroad spike found at the TRUE POINT OF BEGINNING.

THENCE, with the center-line of Township Road 160, N 31°-32'-00" W, a distance of 219.36 feet to a railroad spike set.

THENCE, N 58°-28'-00" E, a distance of 401.23 feet to a 5/8 inch iron rod set, passing a 5/8 inch iron rod set at 30.00 feet.

THENCE, S 54°-08'-21" E, a distance of 75.85 feet to a 5/8 inch iron rod set.

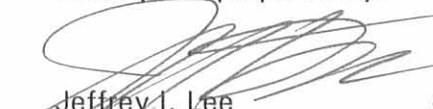
THENCE, S 29°-24'-30" E, a distance of 149.29 feet to a 5/8 inch iron rod set on the northerly line of the Earl F. Schrack 10.853 acre tract, (O.R. 302, Pg. 773).

THENCE, with the northerly line of the said 10.853 acre tract, S 58°-26'-50" W, a distance of 424.85 feet to the point of beginning, passing a 5/8 inch iron rod set at 394.85 feet.

Containing 2.134 acres, of which 0.151 acre is within the right-of-way of Township Road 160.

The basis for bearings is the center-line of Township Road 160, being N 31°-32'-00" W, and all other bearings are from angles and distance measured in a field survey by Lee Surveying and Mapping Co., Inc. on December 8, 1997.

Description prepared by:


Jeffrey I. Lee
Professional Surveyor 6359
December 18, 1997
Revised January 15, 1998



L-1778

ORIGINAL STAMP IN GREEN

7979 3D-1

REC'D 1-15-98 SMY OK ✓



Lee Surveying and Mapping Co., Inc.



Farm Surveys • Lot Surveys • Topography • Subdivisions • Construction Layout

117 NORTH MADRIVER STREET
BELLEFONTAINE, OHIO 43311

(937) 593-7335
FAX (937) 593-7444

WESTFALL TRACT B 2.134 ACRES

Lying in Virginia Military Survey 4859, Zane Township, Logan County, Ohio.

Being out of the John L. Westfall and Alice Anne Westfall original 99.25 acre tract as deeded and described in Volume 353, Page 975, Tract V, of the Logan County Records of Deeds and being more particularly described as follows:

Beginning at an axle on end found at the intersection of center-lines of Township Road 161 and Township Road 160.

THENCE, with the center-line of Township Road 160 (60 feet wide), N 53°-50'-37" E, a distance of 666.67 feet to a drill hole on the top of a corner stone found at an angle in the center-line of Township Road 160.

THENCE, with the center-line of Township Road 160 (60 feet wide), N 31°-32'-00" W, a distance of 1143.25 feet to a railroad spike set at the TRUE POINT OF BEGINNING.

THENCE, with the center-line of Township Road 160 N 31°-32'-00" W, a distance of 267.55 feet to a railroad spike set.

THENCE, N 58°-28'-00" E, a distance of 308.54 feet to a 5/8 inch iron rod set, passing a 5/8 inch iron rod set at 30.00 feet.

THENCE, S 35°-13'-13" E, a distance of 53.27 feet to a 5/8 inch iron rod set.

THENCE, S 54°-08'-21" E, a distance of 232.23 feet to a 5/8 inch iron rod set.

THENCE, S 58°-28'-00" W, a distance of 401.23 feet to the point of beginning, passing a 5/8 inch iron rod set at 371.23 feet.

Containing 2.134 acres, of which 0.184 acre is within the right-of-way of Township Road 160.

The basis for bearings is the center-line of Township Road 160, being N 31°-32'-00" W, and all other bearings are from angles and distance measured in a field survey by Lee Surveying and Mapping Co., Inc. on December 8, 1997.

Description prepared by:

Jeffrey I. Lee
Professional Surveyor 6359
December 18, 1997
Revised January 15, 1998



L-1778

ORIGINAL STAMP IN GREEN

INDEXED
7979 302



Lee Surveying and Mapping Co., Inc.



Farm Surveys • Lot Surveys • Topography • Subdivisions • Construction Layout

117 NORTH MADRIVER STREET
BELLEFONTAINE, OHIO 43311

(937) 593-7335
FAX (937) 593-7444

WESTFALL TRACT C 2.134 ACRES

Lying in Virginia Military Survey 4859, Zane Township, Logan County, Ohio.

Being out of the John L. Westfall and Alice Anne Westfall original 99.25 acre tract as deeded and described in Volume 353, Page 975, Tract V, of the Logan County Records of Deeds and being more particularly described as follows:

Beginning at an axle on end found at the intersection of center-lines of Township Road 161 and Township Road 160.

THENCE, with the center-line of Township Road 160 (60 feet wide), N 53°-50'-37" E, a distance of 666.67 feet to a drill hole on the top of a corner stone found at an angle in the center-line of Township Road 160.

THENCE, with the center-line of Township Road 160 (60 feet wide), N 31°-32'-00" W, a distance of 1410.80 feet to a railroad spike set at THE TRUE POINT OF BEGINNING.

THENCE, with the center-line of Township Road 160, N 31°-32'-00" W, a distance of 233.53 feet to a railroad spike set.

THENCE, N 58°-28'-00" E, a distance of 541.36 feet to a 5/8 inch iron rod set, passing a 5/8 inch iron rod set at 30.00 feet.

THENCE, through the 99.25 acre tract the following five (5) courses:

S 27°-09'-56" E, a distance of 2.54 feet to a 5/8 inch iron rod set.

S 16°-04'-08" W, a distance of 125.48 feet to a 5/8 inch iron rod set.

S 34°-50'-45" W, a distance of 123.90 feet to a 5/8 inch iron rod set.

S 3°-03'-03" W, a distance of 52.65 feet to a 5/8 inch iron rod set.

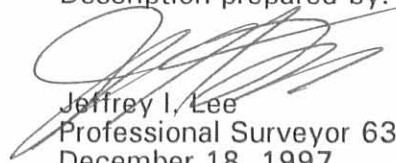
S 35°-13'-13" E, a distance of 53.50 feet to a 5/8 inch iron rod set.

THENCE, S 58°-28'-00" W, a distance of 308.54 feet to the point of beginning, passing a 5/8 inch iron rod set at 278.54 feet.

Containing 2.134 acres, of which 0.161 acre is within the right-of-way of Township Road 160.

The basis for bearings is the center-line of Township Road 160, being N 31°-32'-00" W, and all other bearings are from angles and distance measured in a field survey by Lee Surveying and Mapping Co., Inc. on December 8, 1997.

Description prepared by:


Jeffrey I. Lee
Professional Surveyor 6359
December 18, 1997
Revised January 15, 1998

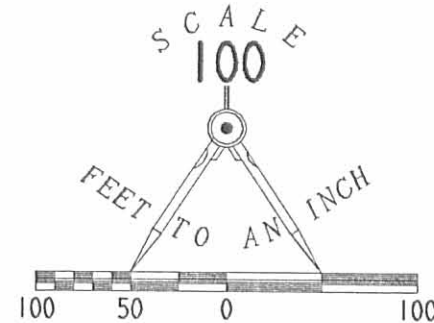


L-1778

ORIGINAL STAMP IN GREEN

7979 3D-3

JOHN L. WESTFALL
AND ALICE ANNE WESTFALL
ORIG. 99.25 ACRES
VOL. 353, PG. 975
TRACT V



LEGEND

- 5/8" IRON ROD SET
- ⊕ RAILROAD SPIKE SET
- ⊗ RAILROAD SPIKE FOUND
- ⊠ STONE WITH DRILL HOLE FOUND
- ⊙ AXLE ON END FOUND

SURVEY OF THREE TRACTS
OUT OF THE JOHN. L. WESTFALL
AND ALICE ANNE WESTFALL
ORIGINAL 99.25 ACRE TRACT
VOLUME 353, PAGE 975, TRACT V
VIRGINIA MILITARY SURVEY 4859
ZANE TOWNSHIP
LOGAN COUNTY, OHIO

TRACT "C"
2.134 ACRE
OF WHICH 0.161 ACRE IS
WITHIN THE RIGHT-OF-WAY

TRACT "B"
2.134 ACRE
OF WHICH 0.184 ACRE IS
WITHIN THE RIGHT-OF-WAY

TRACT "A"
2.134 ACRE
OF WHICH 0.151 ACRE IS
WITHIN THE RIGHT-OF-WAY

EARL F. SCHRACK
10.853 ACRES
O.R. 302, PG. 773

REFERENCES

LOGAN COUNTY ENGINEER'S FILES:
X-160-161
FIELD BOOK 513, PAGES 41-44
R-1085, R-4107, R-7906 AND R-7979

2 WORKING DAYS
BEFORE YOU DIG
CALL TOLL FREE 800-362-2764
OHIO UTILITIES PROTECTION SERVICE.



SURVEYED BY:
Jeffrey I. Lee
JEFFREY I. LEE
PROFESSIONAL SURVEYOR 6358
DECEMBER 8, 1997
REVISED JANUARY 15, 1998
COPYRIGHT 1998 BY:
LEE SURVEYING & MAPPING CO., INC.
117 North Madriver Street
BELLEFONTAINE, OHIO 43311
(937) 593-7335
D321 JWF6TRS1.GCD L 1778-2
JWF6TR.DAT

79793P

REC'D 1-15-98 SMY CLK ✓



Lee Surveying and Mapping Co., Inc.



Farm Surveys • Lot Surveys • Topography • Subdivisions • Construction Layout

117 NORTH MADRIVER STREET
BELLEFONTAINE, OHIO 43311

(937) 593-7335
FAX (937) 593-7444

WESTFALL TRACT D 2.134 ACRES

Lying in Virginia Military Survey 4859, Zane Township, Logan County, Ohio.

Being out of the John L. Westfall and Alice Anne Westfall original 99.25 acre tract as deeded and described in Volume 353, Page 975, Tract V, of the Logan County Records of Deeds and being more particularly described as follows:

Beginning at an axle on end found at the intersection of center-lines of Township Road 161 and Township Road 160.

THENCE, with the center-line of Township Road 160 (60 feet wide), N 53°-50'-37" E, a distance of 666.67 feet to a drill hole on the top of a corner stone found at an angle in the center-line of Township Road 160.

THENCE, with the center-line of Township Road 160 (60 feet wide), N 31°-32'-00" W, a distance of 1644.32 feet to a railroad spike set at THE TRUE POINT OF BEGINNING.

THENCE, with the center-line of Township Road 160, N 31°-32'-00" W, a distance of 169.78 feet to a railroad spike set.

THENCE, N 58°-28'-00" E, a distance of 547.60 feet to a 5/8 inch iron rod set, passing a 5/8 inch iron rod set at 30.00 feet.

THENCE, S 44°-49'-14" E, a distance of 22.15 feet to a 5/8 inch iron rod set.

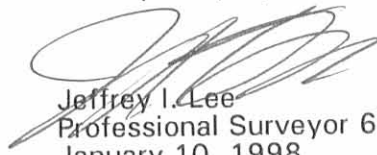
THENCE, S 27°-09'-56" E, a distance of 148.66 feet to a 5/8 inch iron rod set.

THENCE, S 58°-28'-00" W, a distance of 541.36 feet to the point of beginning, passing a 5/8 inch iron rod set at 511.36 feet.

Containing 2.134 acres, of which 0.117 acre is within the right-of-way of Township Road 160.

The basis for bearings is the center-line of Township Road 160, being N 31°-32'-00" W, and all other bearings are from angles and distance measured in a field survey by Lee Surveying and Mapping Co., Inc. on December 8, 1997.

Description prepared by:


Jeffrey I. Lee
Professional Surveyor 6359
January 10, 1998
Revised January 15, 1998



INDEXED FOR MAP
7979 HD-1

REC'D 1-15-98 SMY OK ✓



Lee Surveying and Mapping Co., Inc.



Farm Surveys • Lot Surveys • Topography • Subdivisions • Construction Layout

117 NORTH MADRIVER STREET
BELLEFONTAINE, OHIO 43311

(937) 593-7335
FAX (937) 593-7444

WESTFALL TRACT E 2.134 ACRES

Lying in Virginia Military Survey 4859, Zane Township, Logan County, Ohio.

Being out of the John L. Westfall and Alice Anne Westfall original 99.25 acre tract as deeded and described in Volume 353, Page 975, Tract V, of the Logan County Records of Deeds and being more particularly described as follows:

Beginning at an axle on end found at the intersection of center-lines of Township Road 161 and Township Road 160.

THENCE, with the center-line of Township Road 160 (60 feet wide), N 53°-50'-37" E, a distance of 666.67 feet to a drill hole on the top of a corner stone found at an angle in the center-line of Township Road 160.

THENCE, with the center-line of Township Road 160 (60 feet wide), N 31°-32'-00" W, a distance of 1814.10 feet to a railroad spike set at THE TRUE POINT OF BEGINNING.

THENCE, with the center-line of Township Road 160, N 31°-32'-00" W, a distance of 177.90 feet to a railroad spike set.

THENCE, N 58°-28'-00" E, a distance of 487.72 feet to a 5/8 inch iron rod set, passing a 5/8 inch iron rod set at 30.00 feet.

THENCE, S 55°-50'-58" E, a distance of 90.90 feet to a 5/8 inch iron rod set.

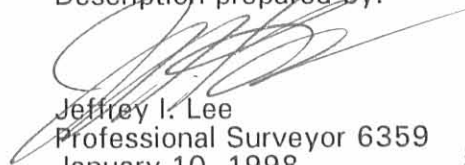
THENCE, S 44°-49'-14" E, a distance of 97.69 feet to a 5/8 inch iron rod set.

THENCE, S 58°-28'-00" W, a distance of 547.60 feet to the point of beginning, passing a 5/8 inch iron rod set at 517.60 feet.

Containing 2.134 acres, of which 0.123 acre is within the right-of-way of Township Road 160.

The basis for bearings is the center-line of Township Road 160, being N 31°-32'-00" W, and all other bearings are from angles and distance measured in a field survey by Lee Surveying and Mapping Co., Inc. on December 8, 1997.

Description prepared by:


Jeffrey I. Lee
Professional Surveyor 6359
January 10, 1998

Revised January 15, 1998



INDEXED ON 10/25
7979 4D-2

REC'D 1-15-98 SWJ MKV



Lee Surveying and Mapping Co., Inc.



Farm Surveys • Lot Surveys • Topography • Subdivisions • Construction Layout

117 NORTH MADRIVER STREET
BELLEFONTAINE, OHIO 43311

(937) 593-7335
FAX (937) 593-7444

WESTFALL TRACT F 2.133 ACRES

Lying in Virginia Military Survey 4859, Zane Township, Logan County, Ohio.

Being out of the John L. Westfall and Alice Anne Westfall original 99.25 acre tract as deeded and described in Volume 353, Page 975, Tract V, of the Logan County Records of Deeds and being more particularly described as follows:

Beginning at an axle on end found at the intersection of center-lines of Township Road 161 and Township Road 160.

THENCE, with the center-line of Township Road 160 (60 feet wide), N 53°-50'-27" E, a distance of 666.67 feet to a drill hole on the top of a corner stone found at an angle in the center-line of Township Road 160.

THENCE, with the center-line of Township Road 160 (60 feet wide), N 31°-32'-00" W, a distance of 1992.00 feet to a railroad spike set at THE TRUE POINT OF BEGINNING.

THENCE, with the center-line of Township Road 160, N 31°-32'-00" W, a distance of 209.29 feet to a railroad spike set.

THENCE, N 57°-25'-58" E, a distance of 378.55 feet to a 5/8 inch iron rod set, passing a 5/8 inch iron rod set at 30.00 feet.

THENCE, S 60°-42'-59" E, a distance of 124.29 feet to a 5/8 inch iron rod set.

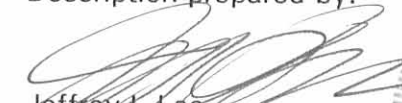
THENCE, S 55°-50'-58" E, a distance of 118.09 feet to a 5/8 inch iron rod set.

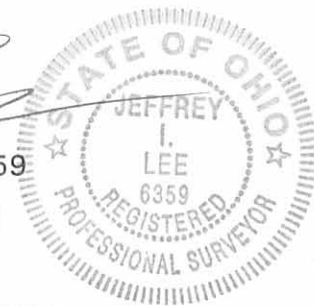
THENCE, S 58°-28'-00" W, a distance of 487.72 feet to the point of beginning, passing a 5/8 inch iron rod set at 457.72 feet.

Containing 2.133 acres, of which 0.144 acre is within the right-of-way of Township Road 160.

The basis for bearings is the center-line of Township Road 160, being N 31°-32'-00" W, and all other bearings are from angles and distance measured in a field survey by Lee Surveying and Mapping Co., Inc. on December 8, 1997.

Description prepared by:


Jeffrey I. Lee
Professional Surveyor 6359
January 10, 1998
Revised January 15, 1998



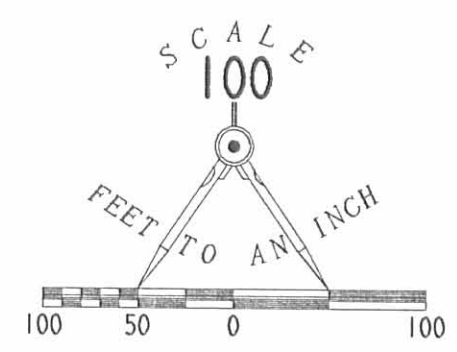
L-1778

ORIGINAL STAMP IN GREEN

7979 4D-3

REC'D 1-15-98 SWM @K ✓

JOHN L. WESTFALL
AND ALICE ANNE WESTFALL
ORIG. 99.25 ACRES
VOL. 353, PG. 975
TRACT V



LEGEND

- 5/8" IRON ROD SET
- ⊙ RAILROAD SPIKE SET
- ⊗ RAILROAD SPIKE FOUND
- ⊠ STONE WITH DRILL HOLE FOUND
- ⊕ AXLE ON END FOUND

SURVEY OF THREE TRACTS
OUT OF THE JOHN. L. WESTFALL
AND ALICE ANNE WESTFALL
ORIGINAL 99.25 ACRE TRACT
VOLUME 353, PAGE 975, TRACT V
VIRGINIA MILITARY SURVEY 4859
ZANE TOWNSHIP
LOGAN COUNTY, OHIO

TRACT F
2.133 ACRES
OF WHICH 0.144 ACRE IS WITHIN
THE HIGHWAY RIGHT-OF-WAY

TRACT E
2.134 ACRES
OF WHICH 0.123 ACRE IS WITHIN
THE HIGHWAY RIGHT-OF-WAY

TRACT D
2.134 ACRES
OF WHICH 0.117 ACRE IS WITHIN
THE HIGHWAY RIGHT-OF-WAY

TRACT C

TRACT B

TRACT A

EARL F. SCHRACK
10.853 ACRES
O.R. 302, PG. 773

TOWNSHIP ROAD 160 (60')

TOWNSHIP ROAD 160

I. R. 161

REFERENCES
LOGAN COUNTY ENGINEER'S FILES:
X-160-161
FIELD BOOK 513, PAGES 41-44
R-1085, R-4107, R-7906 AND R-7979

2 WORKING DAYS
BEFORE YOU DIG
CALL TOLL FREE **800-362-2764**
OHIO UTILITIES PROTECTION SERVICE.



SURVEYED BY:
Jeffrey I. Lee
JEFFREY I. LEE
PROFESSIONAL SURVEYOR 6359
DECEMBER 8, 1997
REVISED JANUARY 15, 1998
COPYRIGHT 1998 BY:
LEE SURVEYING & MAPPING CO., INC.
117 North Madriver Street
BELLEFONTAINE, OHIO 43311
(937) 593-7335
D321 JWF6TRS2.GCD
JWF6TR.DAT

7979 4P

ORIGINAL STAMP IN GREEN

L 1778-2

REC'D 1-15-98 SMY OK ✓



Lee Surveying and Mapping Co., Inc.



Farm Surveys • Lot Surveys • Topography • Subdivisions • Construction Layout

117 NORTH MADRIVER STREET
BELLEFONTAINE, OHIO 43311

(937) 593-7335
FAX (937) 593-7444

WESTFALL 12.802 ACRES

Lying in Virginia Military Survey 4859, Zane Township, Logan County, Ohio.

Being out of the John L. Westfall and Alice Anne Westfall original 99.25 acre tract as deeded and described in Volume 353, Page 975, Tract V, of the Logan County Records of Deeds and being more particularly described as follows:

Beginning at an axle on end found at the intersection of center-lines of Township Road 161 and Township Road 160.

THENCE, with the center-line of Township Road 160 (60 feet wide), N 53°-50'-37" E, a distance of 666.67 feet to a drill hole on the top of a corner stone found at an angle in the center-line of Township Road 160.

THENCE, with the center-line of Township Road 160, N 31°-32'-00" W, a distance of 923.89 feet to a railroad spike found at the TRUE POINT OF BEGINNING.

THENCE, with the center-line of Township Road 160, N 31°-32'-00" W, a distance of 1277.41 feet to a railroad spike set.

THENCE, N 57°-25'-58" E, a distance of 378.55 feet to a 5/8 inch iron rod set, passing a 5/8 inch iron rod set at 30.00 feet.

THENCE, S 60°-42'-59" E, a distance of 124.29 feet to a 5/8 inch iron rod set.

THENCE, S 55°-50'-58" E, a distance of 208.99 feet to a 5/8 inch iron rod set.

THENCE, S 44°-49'-14" E, a distance of 119.83 feet to a 5/8 inch iron rod set.

THENCE, S 27°-09'-56" E, a distance of 151.20 feet to a 5/8 inch iron rod set.

THENCE, S 16°-04'-08" W, a distance of 125.48 feet to a 5/8 inch iron rod set.

THENCE, S 34°-50'-45" W, a distance of 123.90 feet to a 5/8 inch iron rod set.

THENCE, S 3°-03'-03" W, a distance of 52.65 feet to a 5/8 inch iron rod set.

THENCE, S 35°-13'-13" E, a distance of 106.77 feet to a 5/8 inch iron rod set.

THENCE, S 54°-08'-21" E, a distance of 308.07 feet to a 5/8 inch iron rod set.

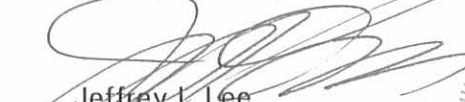
THENCE, S 29°-24'-30" E, a distance of 149.29 feet to a 5/8 inch iron rod set on the northerly line of the Earl F. Schrack 10.853 acre tract, (O.R. 302, Pg. 773).

THENCE, with the northerly line of the said 10.853 acre tract, S 58°-26'-50" W, a distance of 424.85 feet to the point of beginning, passing a 5/8 inch iron rod set at 394.85 feet.

Containing 12.802 acres, of which, 0.880 acre is within the right-of-way of Township Road 160.

The basis for bearings is the center-line of Township Road 160, being N 31°-32'-00" W, and all other bearings are from angles and distances measured in a field survey of Lee Surveying and Mapping Co., Inc. on December 8, 1997.

Description prepared by:


Jeffrey I. Lee
Professional Surveyor 6359
December 19, 1997
Revised January 15, 1998

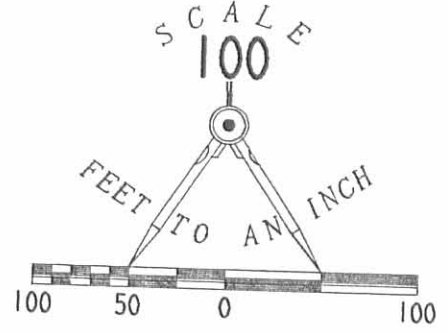


L-1778

ORIGINAL STAMP IN GREEN

7979 50

JOHN L. WESTFALL
AND ALICE ANNE WESTFALL
ORIG. 99.25 ACRE
VOL. 353, PG. 975
TRACT V



LEGEND

- 5/8" IRON ROD SET
- ⊕ RAILROAD SPIKE SET
- ⊗ RAILROAD SPIKE FOUND
- ⊠ STONE WITH DRILL HOLE FOUND
- ⊙ AXLE ON END FOUND

12.802 ACRES
OF WHICH 0.880 ACRES IS WITHIN
THE HIGHWAY RIGHT-OF-WAY

SURVEY OF 12.802 ACRES
OUT OF THE JOHN. L. WESTFALL
AND ALICE ANNE WESTFALL
ORIGINAL 99.25 ACRE TRACT
VOLUME 353, PAGE 975, TRACT V
VIRGINIA MILITARY SURVEY 4859
ZANE TOWNSHIP
LOGAN COUNTY, OHIO

EARL F. SCHRACK
10.853 ACRES
O.R. 302, PG. 773

STA. 33+97.5

REFERENCES

LOGAN COUNTY ENGINEER'S FILES:
X-160-161
FIELD BOOK 513, PAGES 41-44
R-1085, R-4107, R-7906 AND R-7979

2 WORKING DAYS
BEFORE YOU DIG
CALL TOLL FREE **800-362-2764**
OHIO UTILITIES PROTECTION SERVICE.



ORIGINAL STAMP IN GREEN

SURVEYED BY:

JEFFREY J. LEE
PROFESSIONAL SURVEYOR 6359
DECEMBER 8, 1997

REVISED JANUARY 15, 1998
COPYRIGHT 1998 BY:

LEE SURVEYING & MAPPING CO., INC.
117 North Madriver Street
BELLEFONTAINE, OHIO 43311
(937) 593-7335

D321 JWF6TRBY.GCD
JWF6TR.DAT

L 1778-2

INDEXED ON MAP
1979 5P