

CLIFFORD E. KELLY, et al.
214.240 Ac.
O. R. VOL. 125 PAGE 653

BELLETECH CORP.
26.030 Ac.
O.R. VOL. 11 PG 249

LEWIS L. LENHART
3.864 Ac.
O.R. VOL. 218 PG.91

LAWRENCE J. THOBE
2.940 Ac.
D.B. VOL. 339 PG. 933

A & A RENTAL INVESTMENTS
1.946 Ac.
O.R. VOL. 2 PG. 149

RICHARD E. GROVES JR.
2.530 Ac.
O.R. VOL. 21 PG. 932

SECTION 4 T3 R14
SECTION 3 T3 R14

SECTION 34 T4 R14
SECTION 33 T4 R14

N. 89°57'08" E. 1628.21' COUNTY ROAD 11 - LAKE AVE. (60')

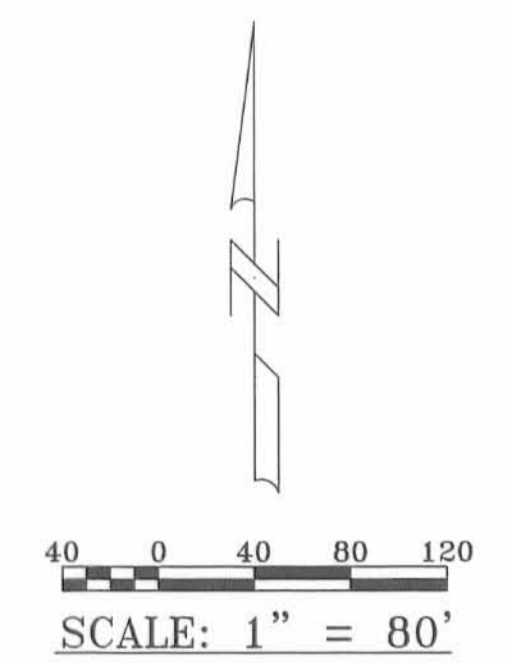
HARRISON TOWNSHIP

LAKE TOWNSHIP

ANDREW G. DETRICK
130.000 Ac.
D.B. VOL. 401 PG. 293 & 297

EDWARD R. DELAIR JR. & REBECCA S. DELAIR
6.940 Ac. DEED (6.925 Ac. ACTUAL)
O.R. VOL. 333 PG. 615

THE CITY OF BELLEFONTAINE
43.075 Ac. (43.060 Ac. DEED)
O.R. VOL. 349 PG. 806



- LEGEND**
- A = RAILROAD SPIKE FOUND
 - B = 1" DIA. IRON BAR FOUND
 - C = CONCRETE MONUMENT FOUND
 - D = 1" AXLE FOUND
 - E = 5/8" DIA. IRON BAR SET

SOUTHVIEW PARK ANNEXATION SURVEY

SITUATED IN THE STATE OF OHIO, COUNTY OF LOGAN AND TOWNSHIP OF LAKE, AND BEING A PART OF THE NORTH HALF OF THE NORTHWEST QUARTER OF SECTION 33, TOWN 4, RANGE 14 OF THE BETWEEN THE MIAMI RIVERS SURVEY AND BEING MORE PARTICULARLY DESCRIBED AS FOLLOWS:

BEGINNING AT A CONCRETE MONUMENT FOUND AT THE INTERSECTION OF THE CENTERLINES OF COUNTY ROAD NO. 11 (ALSO KNOWN AS LAKE AVENUE) AND TOWNSHIP ROAD NO. 216 (ALSO KNOWN AS TROY ROAD) AT THE NORTHWEST CORNER OF SAID SECTION 33 AND A 6.940 ACRE TRACT IN THE NAME OF EDWARD R. DELAIR JR. & REBECCA S. DELAIR AS DESCRIBED IN O. R. VOL. 333, PAGE 615, AND IN THE WEST LINE OF LAKE TOWNSHIP,

THENCE WITH THE NORTH LINE OF SECTION 33 AND THE CENTERLINE OF COUNTY ROAD NO. 11 N.89°-57'-08"E. (THIS BEARING IS ASSUMED AND ALL OTHER BEARINGS AND DISTANCES ARE AS MEASURED AS A PART OF THIS SURVEY) 1628.21 FEET TO A ONE INCH DIAMETER IRON BAR FOUND AT THE NORTHWEST CORNER OF GERALD L. PRICE'S 17.890 ACRE TRACT AS DESCRIBED IN O. R. VOL. 199, PAGE 837, PASSING A RAILROAD SPIKE FOUND AT THE NORTHEAST CORNER OF SAID DELAIR TRACT AT 442.69 FEET,

THENCE WITH THE WEST LINE OF SAID PRICE TRACT AND THE WEST LINE OF THE GERALD L. PRICE AND JILL C. THOMPSON'S 3.438 ACRE TRACT AS DESCRIBED IN O. R. VOL. 351, PAGE 440, S.00°-25'-00"W. 1347.64 FEET TO A 5/8 INCH DIAMETER IRON BAR SET IN THE NORTH LINE OF LLOYD AND HILDA JEAN HARMAN'S 57.820 ACRE TRACT AS DESCRIBED IN O. R. VOL. 312, PAGE 861, PASSING A 5/8 INCH DIAMETER IRON BAR SET IN THE SOUTH RIGHT-OF-WAY OF SAID COUNTY ROAD NO. 11 AT 30.00 FEET,

THENCE WITH SAID HARMAN'S NORTH LINE AND THE NORTH LINE OF STEVE AND TERI AULT'S 1.000 ACRE TRACT AS DESCRIBED IN O. R. VOL. 193, PAGE 541, N.89°-18'-02"W. 1629.86 FEET TO A RAILROAD SPIKE FOUND IN THE CENTERLINE OF SAID TOWNSHIP ROAD NO. 216, SAID SPIKE BEING IN THE WEST LINE OF SECTION 33 AND THE WEST LINE OF LAKE TOWNSHIP, PASSING A ONE INCH DIAMETER IRON BAR FOUND IN THE EAST RIGHT-OF-WAY OF SAID ROAD AT 1612.36 FEET,

THENCE WITH SAID ROAD CENTERLINE, THE WEST SECTION LINE AND THE WEST LINE OF LAKE TOWNSHIP N.00°-29'-22"E. 1326.40 TO THE PLACE OF BEGINNING, PASSING A RAILROAD SPIKE FOUND IN SAID ROAD CENTERLINE AT 652.64 FEET AT THE SOUTHWEST CORNER OF SAID DELAIR TRACT.

CONTAINING 50.000 ACRES MORE OR LESS OF WHICH 0.519 ACRES ARE IN THE RIGHT-OF-WAY OF TOWNSHIP ROAD NO. 216 AND 1.119 ACRES ARE WITHIN THE RIGHT-OF-WAY OF COUNTY ROAD NO. 11. THE ABOVE DESCRIBED 50.000 ACRE TRACT BEING ALL OF THE CITY OF BELLEFONTAINE'S 43.060 ACRE TRACT AS DESCRIBED IN O. R. VOL. 349 PAGE 806 AND EDWARD R. DELAIR JR. & REBECCA S. DELAIR'S 6.940 ACRE TRACT AS DESCRIBED IN O. R. VOL. 333 PAGE 615.

THIS DESCRIPTION PREPARED BY TIMOTHY L. NOTESTINE, P.E., P.S. #S-7815 FROM AN ACTUAL FIELD SURVEY PERFORMED FEBRUARY 6, 1998.

- LOGAN COUNTY COMMISSIONERS: George W. Clayton 8-6-98
John Baylas 8-6-98
Russell Fungler 8-6-98
- LOGAN COUNTY ENGINEER: Jimmie Co 2-17-99
- CHAIRMAN, TOWNSHIP TRUSTEE: Chester R. Kurtz 2-11-99
- L.U.C. PLANNING DIRECTOR: Quincy Scott 2-12-99
- MAYOR OF BELLEFONTAINE: Paul E. Hanifan 2-12-99
- PRESIDENT OF COUNCIL: William Patterson 2-11-99
- CLERK, CITY COUNCIL: Licki Yookam 2-12-99
- PLAT PRE-APPROVED: Jon C. Hines 6-3-98
- PLAT CHECKED: Jon C. Hines 6-1-99
- CITY ORDINANCE NUMBER: 99-10 1-26-99
- TRANSFERRED THIS 6th DAY OF July, 1999
- AUDITOR, LOGAN COUNTY, OHIO: Michael E. Godwin
- RECORDED IN PLAT CABINET: B, SLIDE 41B
- RECEIVED FOR RECORD AT 2:24:01 O'CLOCK P.M.
- THIS 6th DAY OF July, 1999
- RECORDER, LOGAN COUNTY, OHIO: Carolyn Collins

GERALD L. PRICE & JILL C. THOMPSON
3.438 Ac.
O.R. VOL. 351 PG. 440

GERALD L. PRICE
17.890 Ac.
O.R. VOL. 199 PG. 837

TROYP ROAD (60')
TOWNSHIP RD. 216 - TROY ROAD (35')
N. 00°29'22" E. 1326.40'
(0.519 Ac.)
652.64'

17.50'

PROPOSED CORPORATION LINE

N. 89°18'02" W. 1629.86'

STEVE R. & TERI L. AULT
1.000 Ac.
O. R. VOL. 193 PG. 541

LLOYD & HILDA JEAN HARMAN
57.820 Ac.
O.R. VOL. 312 PG. 861

WILLIAM LEE WARD
1.000 Ac.
D.B. VOL. 339 PG. 933

SOUTHVIEW PARK ANNEXATION SURVEY

LAKE TOWNSHIP, LOGAN COUNTY
SECTION 33, TOWN 4, RANGE 14 B.M.R.S.



TIMOTHY L. NOTESTINE P.E., P.S. #S-7815
135 N. DETROIT ST.
BELLEFONTAINE, OHIO 43311
SURVEY DATE: 2-6-98